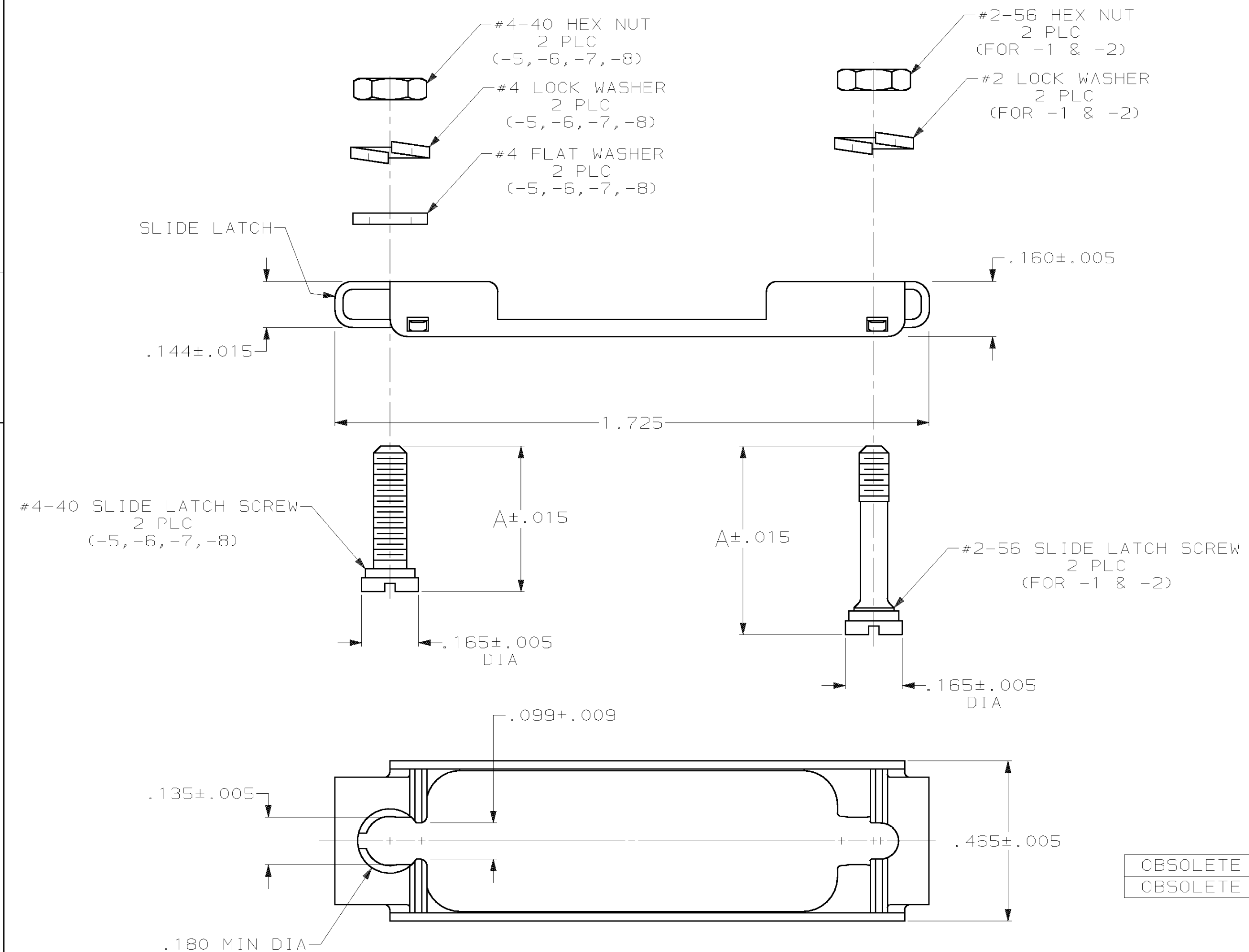


THIS DRAWING IS UNPUBLISHED. RELEASED FOR PUBLICATION, 19 .
 © COPYRIGHT 19 BY AMP INCORPORATED. ALL INTERNATIONAL RIGHTS RESERVED.

LOC	DIST	P	F	ZONE	LTR	DESCRIPTION	DATE	APPD
GP	00							
					E	REVISED & REDRAWN PER ECN-2364	8-16-88	JRS
					F	REVISED ECN-BD3390	12-7-89	JW
					G	REV PER ECN BD4844	04/05/91	BT
					H	OBS -8 PER ECN BD6177	06/16/92	TS
					J	REV PER ECN BD6381	07/10/92	TS
					J1	ADDED -9 PER NPR 4907	08/18/93	SB
					K	OBS -9 PER EC 0020-523-96	13 AUG 96	JS
					L	REV PER EC 0UE0-0002-01	10 JAN 02	JR



1. PARTS PACKAGED UNASSEMBLED.
2. PARTS PACKAGED AS A UNIT KIT.
3. PARTS INDIVIDUALLY BULK PACKAGED AND SHIPPED AS A UNIT PACKAGE.
4. ZINC PLATED PER ASTM B633, TYPE III, CLASS SCI, CLEAR CHROMATE.
5. ZINC PLATED PER ASTM B633, TYPE II, CLASS SCI, YELLOW CHROMATE.
6. THIS KIT CAN BE USED WITH TWO-PIECE STRAIGHT/90° EXIT CABLE CLAMPS, RFI/EMI CABLE CLAMPS OR UNIVERSAL CABLE CLAMPS.
7. THIS KIT CAN BE USED WITH ONE-PIECE STRAIGHT/45° EXIT CABLE CLAMPS, ONE-PIECE STRAIGHT/90° EXIT CABLE CLAMPS OR ON CONNECTORS WITHOUT CABLE CLAMPS.
8. PARTS SMALL PACK PACKAGED.

OBSOLETE	.415	5	#4-40	8	7	745583-9
OBSOLETE	.450	5	#4-40	3	7	745583-8
	.450	5	#4-40	2	7	745583-7
	.415	5	#4-40	3	7	745583-6
	.415	5	#4-40	2	7	745583-5
OBSOLETE	-	4	#2-56	3		745583-4
SUPERSEDED BY -1	-	4	#2-56	2		745583-3
OBSOLETE	.547	4	#2-56	3	6	745583-2
	.547	4	#2-56	2	6	745583-1

FINISH	SIZE	FSCM NO	DRAWING NO
A	C	00779	745583
HARDWARE FINISH	SCALE	4:1	SHEET 1 OF 1
THREAD TYPE	KIT, SLIDE LATCH, SIZE 2, 15 POSITION, AMPLIMITE®		
PACKAGING	AMP INCORPORATED Harrisburg, Pa. 17105		
PART NO	NAME		
	KIT, SLIDE LATCH, SIZE 2, 15 POSITION, AMPLIMITE®		
DO NOT SCALE PRINT. UNLESS SPECIFIED DIMENSIONS IN INCHES TOLERANCES ON:	DR 8-12-88 L.SIPE		
2 PLC DEC ± -	CHK 8-12-88 W.LENKER		
3 PLC DEC ± .010	APPD 8-15-88 R.WHYNE		
ANGLES ± -	APPD 8-16-88 J.SHOWERS		
MATERIAL	PRODUCT SPEC		
SLIDE LATCH: STAINLESS STEEL			
HARDWARE: STEEL PER ASTM A108			
FINISH	APPLICATION SPEC		
HARDWARE: SEE TABLE			
WEIGHT			