

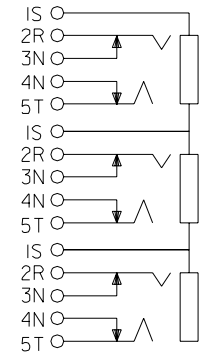
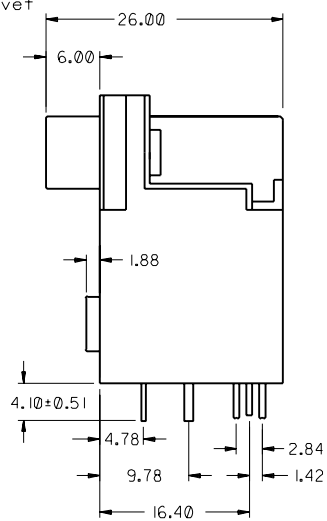
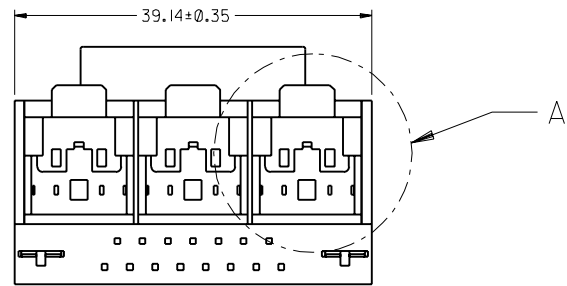
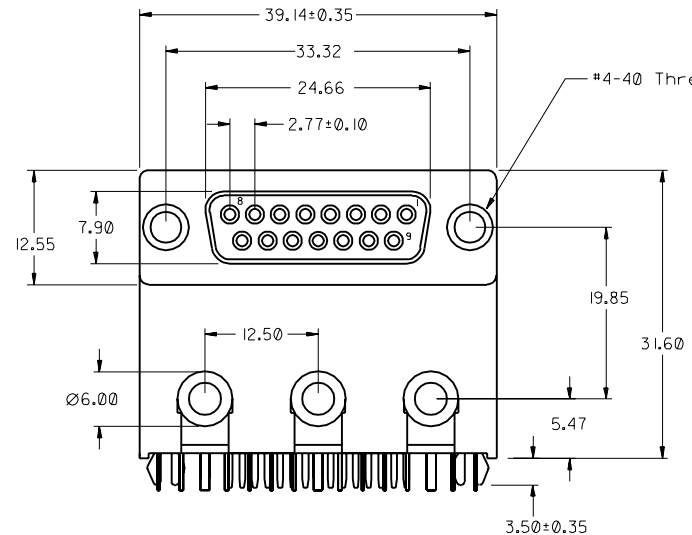
DO NOT SCALE DRAWING

CAD FILE : S670011

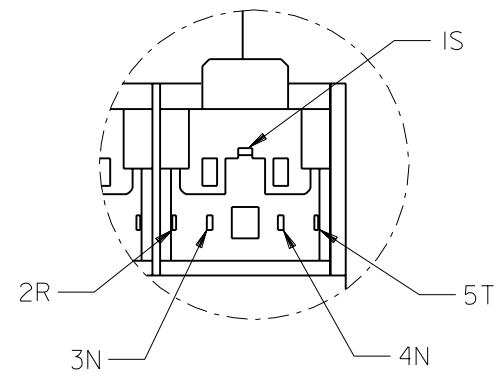
SIMILAR ITEM

EDP NO.

ENG. NO. SDA-67001-00*0



WIRING DIAGRAM



DETAIL A (Audio Jack)

				MATERIAL : SEE NOTE		MOLEX TAIWAN LTD. SHEET 1 OF 2	
				FINISH : SEE NOTE			
				WIRE RANGE :		GENERAL TOLERANCES ANGLE : ± 3° DIM : ± .25 / .010	
B	RELEASE TO MANUFACTURING	197-424	NEIL	970602	INS. RANGE :		ENG. NO. : SDA-67001-00*0
A2	UPDATE THE DIM	197-392	NEIL	970508	APPR'D BY		REV B
A1	PER PDR MXT 0884	197-110	Vin	96.10.11	SCALE 2:1		TITLE : HYBRID CONNECTOR 15CKT FEMALE STD D-SUB WITH AUDIO JACK(3X)
LTR	REVISION RECORD	ECN	DR	DATE	DRAWN BY Vincent Lin		
REVISE ONLY ON CAD SYSTEM							

ENG. NO SDA-67001-00*0

EDP NO.

SIMILAR ITEM

CAD FILE : S670012

DO NOT SCALE DRAWING

8

7

6

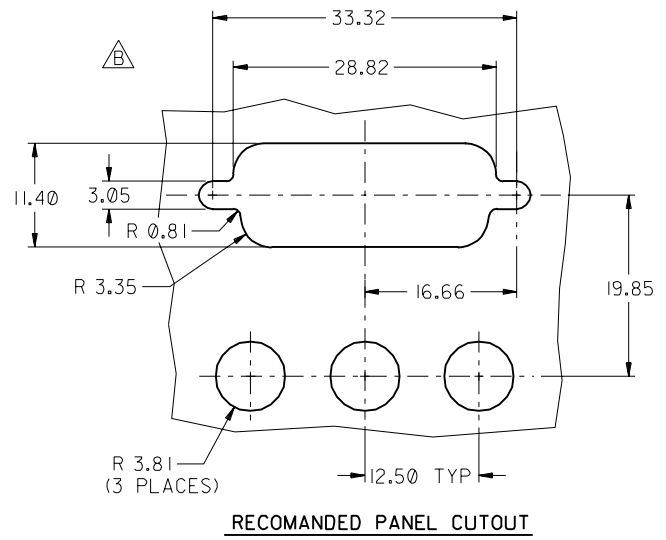
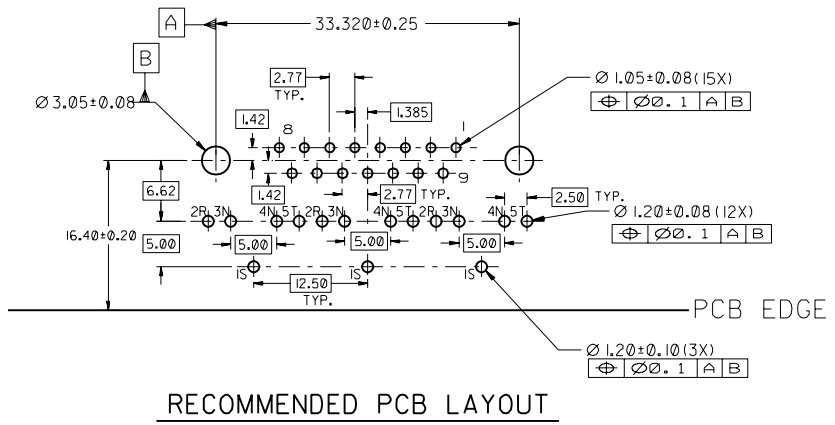
5

4

3

2

1



67001-00*0

NOTE

- 1.MATERIAL
- STANDARD D-SUB 15CKT FEMALE
- 1)SHELL : STEEL, TIN PLATING
- 2)BOARD LOCK : BRASS , TIN PLATING
- 3)SCREW: BRASS, NICKEL PLATING
- 4)INSULATOR : POPYESTER(PBT),WITH GLASS FIBER, UL-94V0,COLOR : BLACK
- 5)CONTACT : PHOSPHER BRONZE
- AUDIO JACK
- 1)HOUSING/BACK COVER : POLYESTER, UL94V-0 ,COLOR: BLACK
- 2)BUSHING : BRASS, NICKEL PLATING
- 3)SLEEVE TERMINAL(IS) : SPCC, NICKEL PLATING
- 4)SLEEVE SPRING : PHOSPHER BRONZE, SILVER PLATING
- 5)RING TERMIAL (2R): PHOSPHER BRONZE, TIN PLATING
- 6)TIP TERMIAL (5T): PHOSPHER BRONZE, TIN PLATING
- 7)SHUNT TERMIAL (3N/4N): BRASS, TIN PLATING

- 4 :0.76 MICROMETER/30 MICRO INCH MINIMUM GOLD ON CONTACT AREA . 2.54 MICROMETER / 100 MICRO INCH MINIMUM TIN/LEAD ON SOLDER TAIL . BOTH UNDERPLATING NICKEL OVERALL .
- 5 :0.38 MICROMETER/15 MICRO INCH MINIMUM GOLD ON CONTACT AREA . 2.54 MICROMETER / 100 MICRO INCH MINIMUM TIN/LEAD ON SOLDER TAIL . BOTH UNDERPLATING NICKEL OVERALL .
- 6 : GOLD FLASH ON CONTACT AREA . 2.54 MICROMETER / 100 MICRO INCH MINIMUM TIN/LEAD ON SOLDER TAIL . BOTH UNDERPLATING NICKEL OVERALL .

				MATERIAL : SEE NOTES		MOLEX TAIWAN LTD. SHEET 2 OF 2
				FINISH : SEE NOTES		
				WIRE RANGE :		GENERAL TOLERANCES ANGLE : ± 3° DIM : ± .25/.010
B	RELEASE TO MANUFACTURING	197-424	NEIL	970602	ENG. NO. SDA-67001-00*0 REV B	
A2	UPDATE THE DIM.	197-392	NEIL	970508		
A1	PER PDR MXT 0884	197-110	Vincent	961121		
LTR	REVISION RECORD	ECN	DR	DATE	DRAWN BY 961121 Vincent Lin	CHK'D BY
REVISE ONLY ON CAD SYSTEM					APPR'D BY	SCALE 2:1
TITLE : HYBRID CONNECTOR 15CKT FEMALE STD D-SUB WITH AUDIO JACK(3X)						