

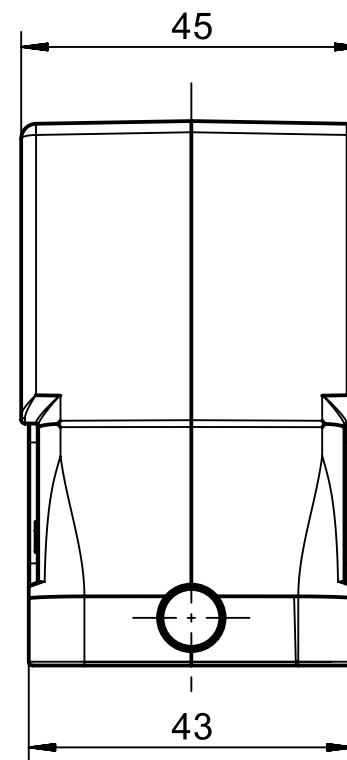
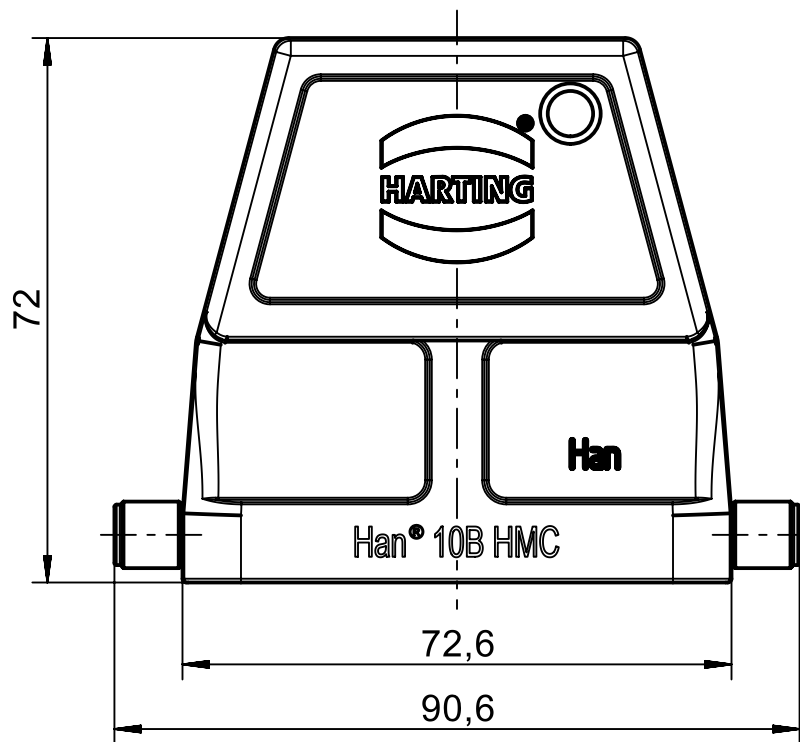
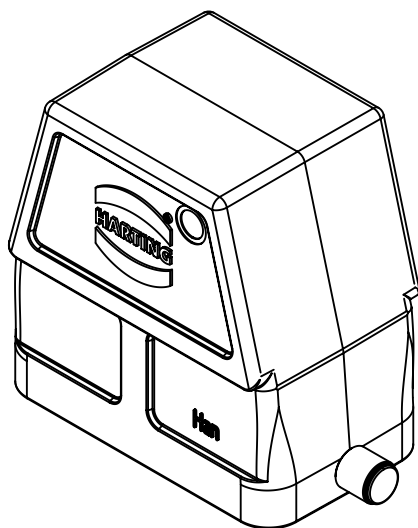
1 2 3 4 5 6

A

B

C

D



	All Dimensions in mm Original Size DIN A4		Scale 1:1		Free size tol.		Ref.			
							Sub.			
	All rights reserved		Created by SCHULZI		Inspected by BERGHORN		Standardisation TIEMANNA			
	Department EL PD - DE						Date 2014-07-21			
HARTING Electric GmbH & Co. KG D-32339 Espelkamp		Title Han 10B-HMC-g-R					State Final Release		Doc-Key / ECM-Nr. 100521687/UGD/002/B 500000061817	
		Type TB		Number 09 30 210 0803			Rev. B		Page 1/1	