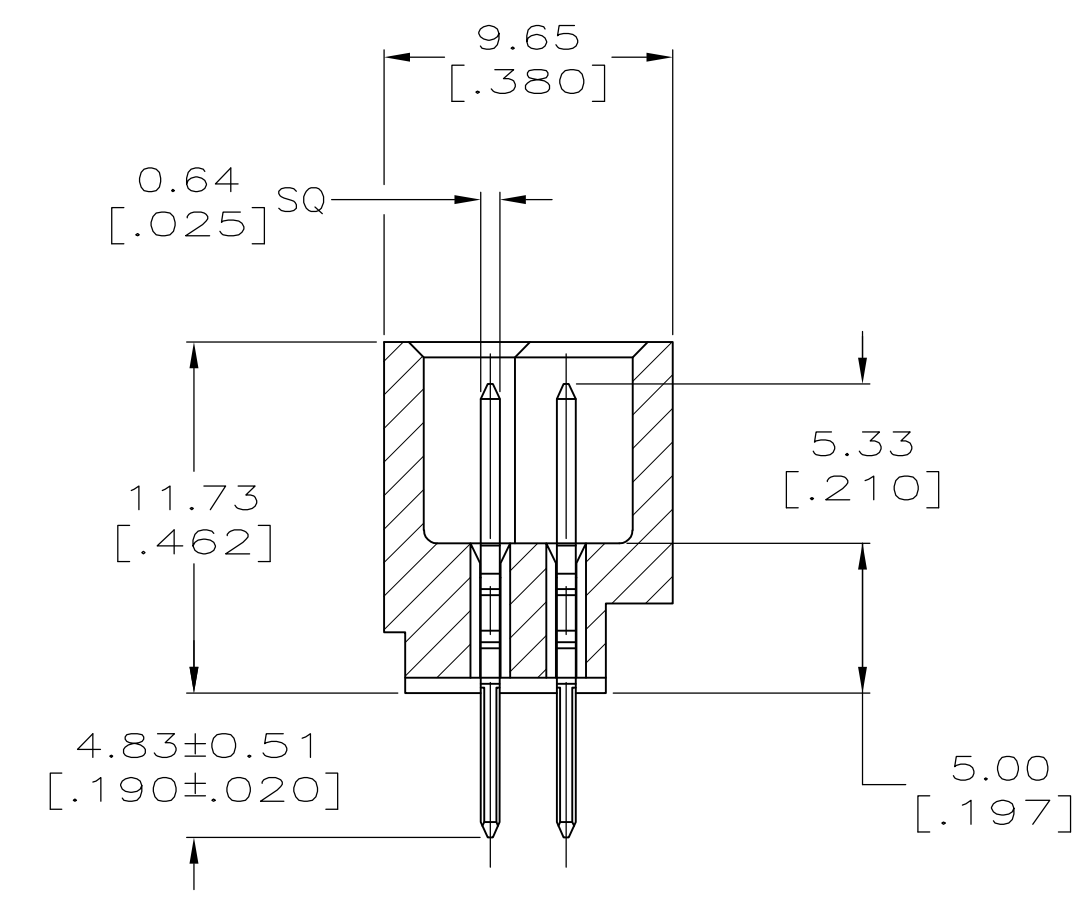
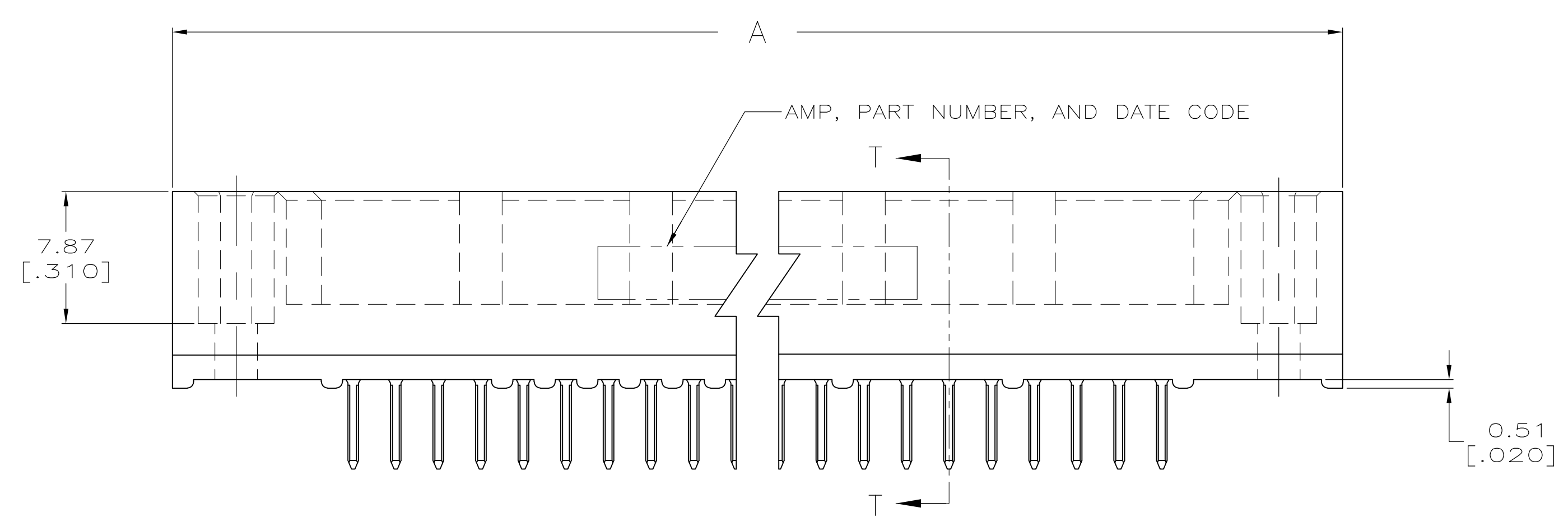
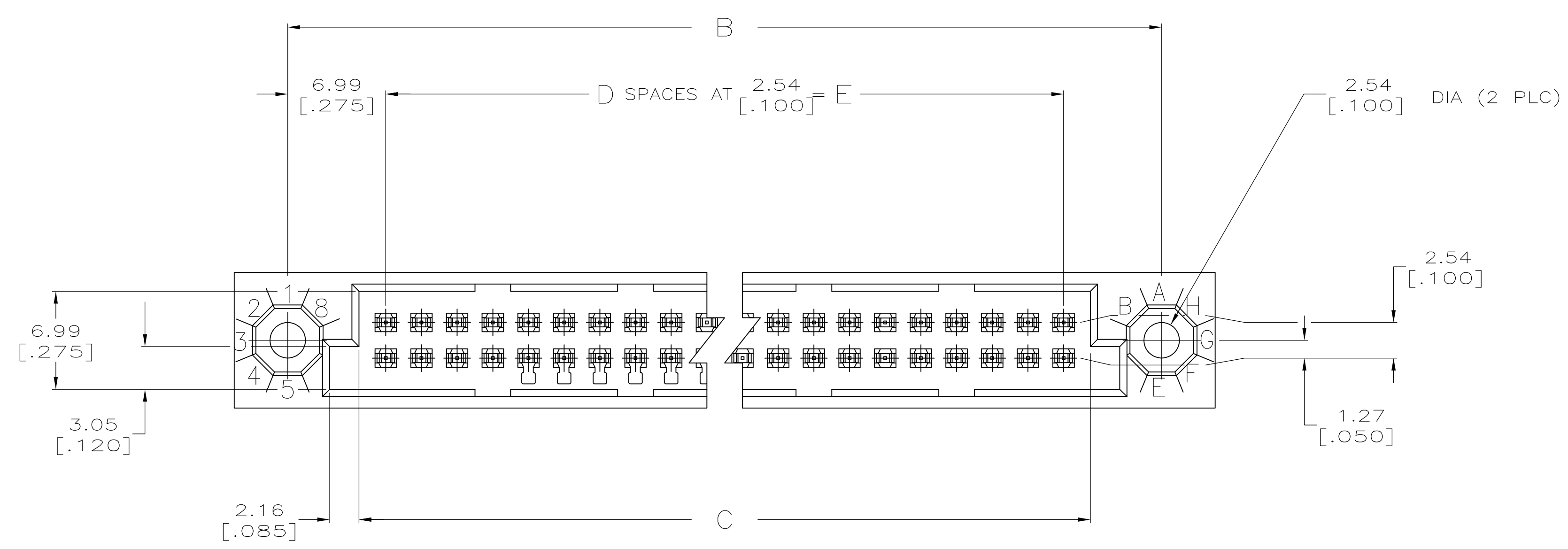
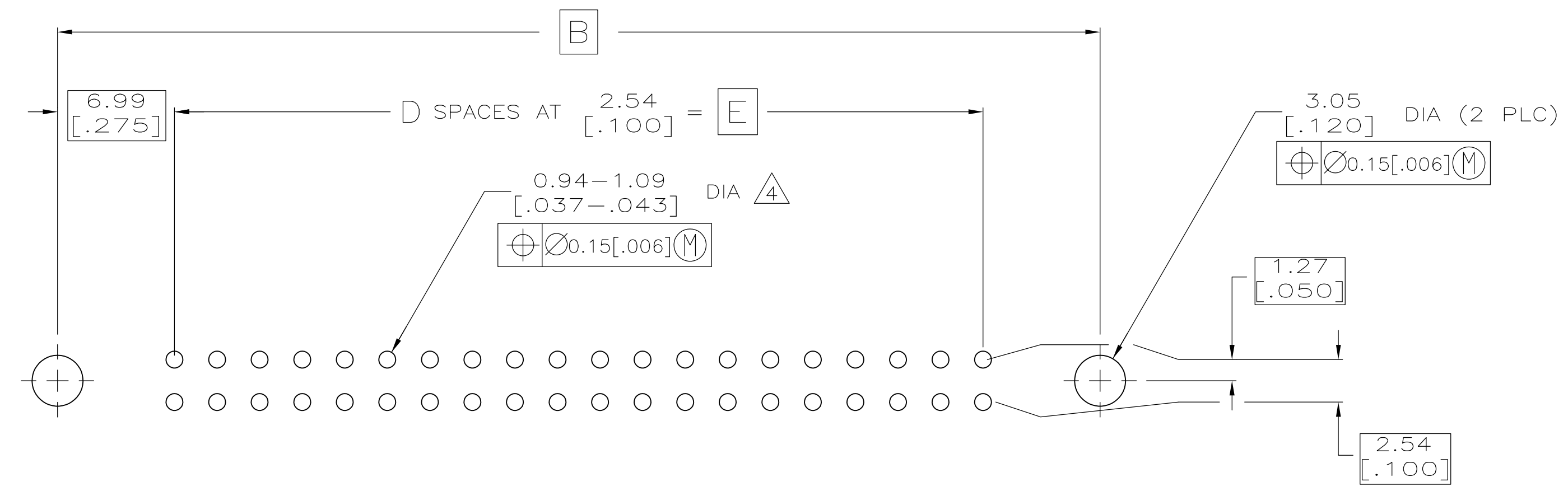


LOC		DIST		REVISIONS			
P	LTR	DESCRIPTION	DATE	DNW	APVD		
0		RELEASED PER EC 0512-0036-05	18JUL05	JDP	AMS		
01		REVISED PER ECO-09-024927	10NOV09	KK	AEG		



SECTION T-T



RECOMMENDED P.C. BOARD LAYOUT

THIS DRAWING IS A CONTROLLED DOCUMENT.		DIN J. POLIGNONE 18JUL05	Tyco Electronics Corporation Harrisburg, Pa 17105-3608
DIMENSIONS: mm [INCHES]		CIK A. SHARPE 18JUL05	
TOLERANCES UNLESS OTHERWISE SPECIFIED:		APVD A. SHARPE 18JUL05	NAME ASSEMBLY, PIN, VERTICAL, HDI, LEAD-FREE, 2 ROW, WITHOUT GUIDES, 4.83[.190] SOLDER POSTS
0 PLC ± -	1 PLC ± -	2 PLC ± -	3 PLC ± 0.13[.005]
4 PLC ± -	ANGLES ± -	APPLICATION SPEC	
MATERIAL	FINISH	WEIGHT	RESTRICTED TO
1/2	3	A1 00779	SCALE 4:1 SHEET 1 OF 2 REV 01
CUSTOMER DRAWING		DRAWING NO. C=5532430	

- ① HOUSING MATERIAL: THERMOPLASTIC.
- ② CONTACT MATERIAL: COPPER ALLOY
- ③ CONTACT FINISH: .00127-.00254 [.000050-.000100] NICKEL UNDERPLATE ALL OVER; .00076 [.000030] GOLD PLATE IN CONTACT AREA, TIN PLATED POSTS.
- ④ SOLDER PIN POST RECOMMENDED P.C. BOARD HOLE SIZES ARE 0.94-1.09 [.037-.043]; RECOMMENDED PAD DIA IS 1.52 [.060].
- ⑤ OBSOLETE PARTS: OBSOLETE CIS STREAMLINING PER D.RENAUD/D.SINISI

⑤ OBSOLETE	187.96 [7.400]	74	191.77 [7.550]	201.93 [7.950]	209.55 [8.250]	150	1-5532430-4
	137.16 [5.400]	54	140.97 [5.550]	151.13 [5.950]	158.75 [6.250]	110	1-5532430-0
⑤ OBSOLETE	73.66 [2.900]	29	77.47 [3.050]	87.63 [3.450]	95.25 [3.750]	60	5532430-5
	48.26 [1.900]	19	52.07 [2.050]	62.23 [2.450]	69.85 [2.750]	40	5532430-3
	35.56 [1.400]	14	39.37 [1.550]	49.53 [1.950]	57.15 [2.250]	30	5532430-2
	E	D	C	B	A	POSN	PART NUMBER

THIS DRAWING IS A CONTROLLED DOCUMENT.		DIN J. POLIGNONE 23FEB05	Tyco Electronics Corporation Harrisburg, Pa 17105-3608	
DIMENSIONS: mm [INCHES]		CIK A. SHARPE 18JUL05	Tyco Electronics	
TOLERANCES UNLESS OTHERWISE SPECIFIED:		APVO A. SHARPE 18JUL05	NAME ASSEMBLY, PIN, VERTICAL, HDI, LEAD-FREE, 2 ROW, WITHOUT GUIDES, 4.83[.190] SOLDER POSTS	
0 PL ± -	1 PL ± -	PRODUCT SPEC	SIZE CAGE CODE DRAWING NO	
2 PL ± -	3 PL ± 0.13 [.005]	APPLICATION SPEC	RESTRICTED TO	
4 PL ± -	ANGLES ± -	WEIGHT	A1 00779 C=5532430	
MATERIAL	FINISH	CUSTOMER DRAWING	SCALE 4:1	SHEET 2 OF 2 REV 01