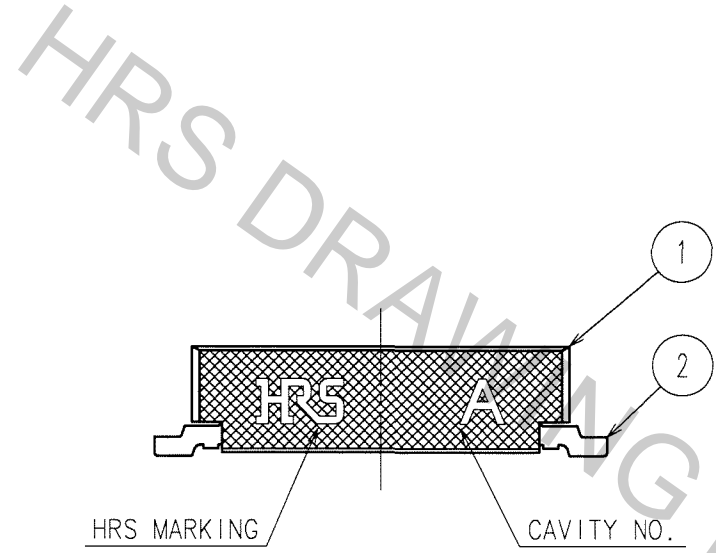
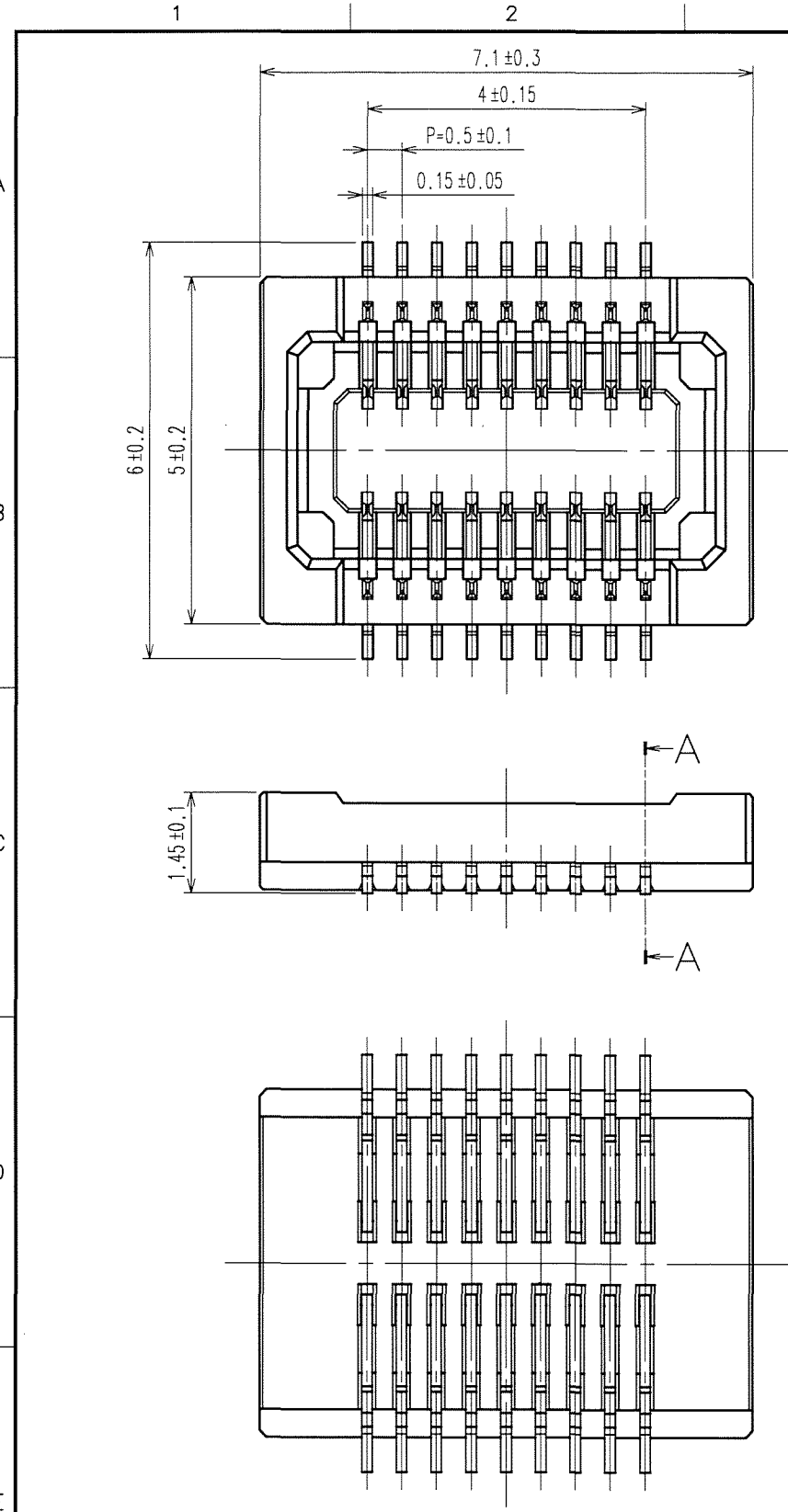


Apr.1.2017 Copyright 2017 HIROSE ELECTRIC CO., LTD. All Rights Reserved.



COUNT	DESCRIPTION OF REVISIONS	BY	CHKD	DATE	COUNT	DESCRIPTION OF REVISIONS	BY	CHKD	DATE
△				..	△				..
△				..	△				..
△				..	△				..

Fig.1 : RECOMMENDED PATTERN

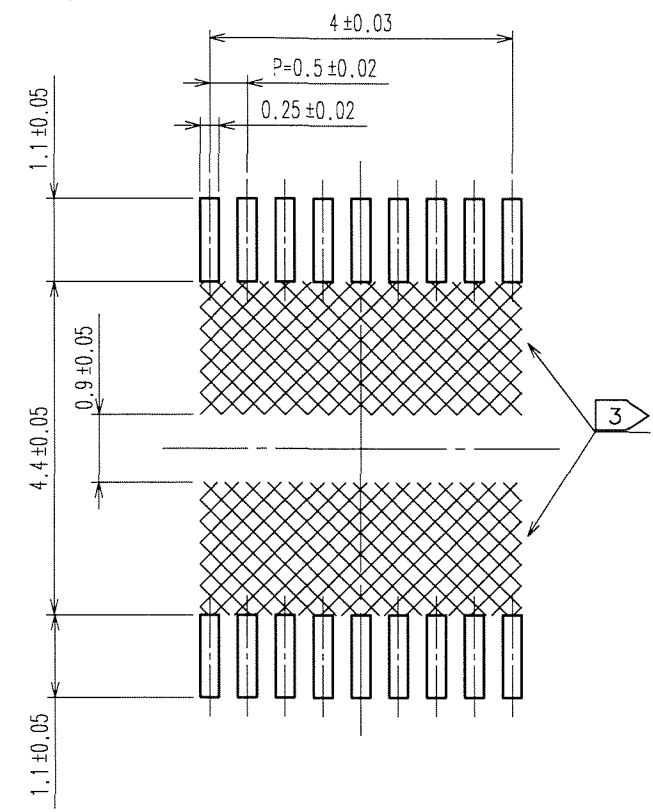


Fig.2 : A-A CROSS SECTION VIEW

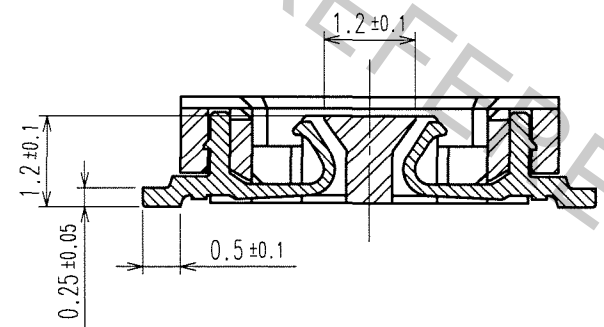
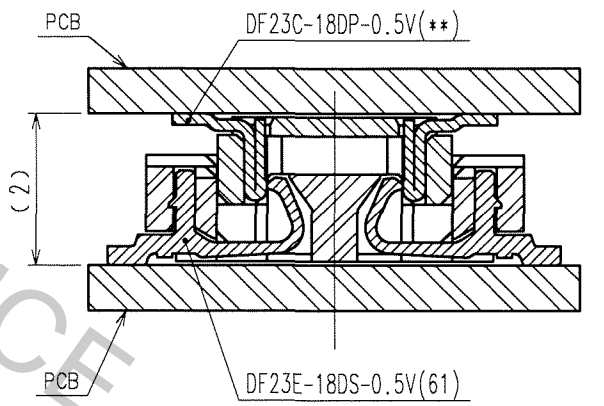


Fig.3 : MATING VIEW



- NOTES
- LEAD CO-PLANARITY SHALL BE 0.1mm MAX.
  - PLATING  
 CONTACT AREA : GOLD 0.4μ m MIN.  
 LEAD AREA : GOLD 0.02μ m MIN.  
 UNDER PLATING : NICKEL 1.0μ m MIN.
  - WHEN A PART MARKED WITH HAS A PATTERN BUT NO RESIST ON IT, TAKE CARE TO PREVENT THE CONNECTOR FROM TOUCHING IT.
  - THIS CONNECTOR IS FOR TESTING JIG TO BE MATED WITH DF23\*-18DP-0.5V.

NO.	MATERIAL	FINISH, REMARKS	NO.	MATERIAL	FINISH, REMARKS
2	PHOSPHOR BRONZE		4	POLYESTER	CLEAR
1	LCP	BLACK,UL94V-0	3	PS	CLEAR

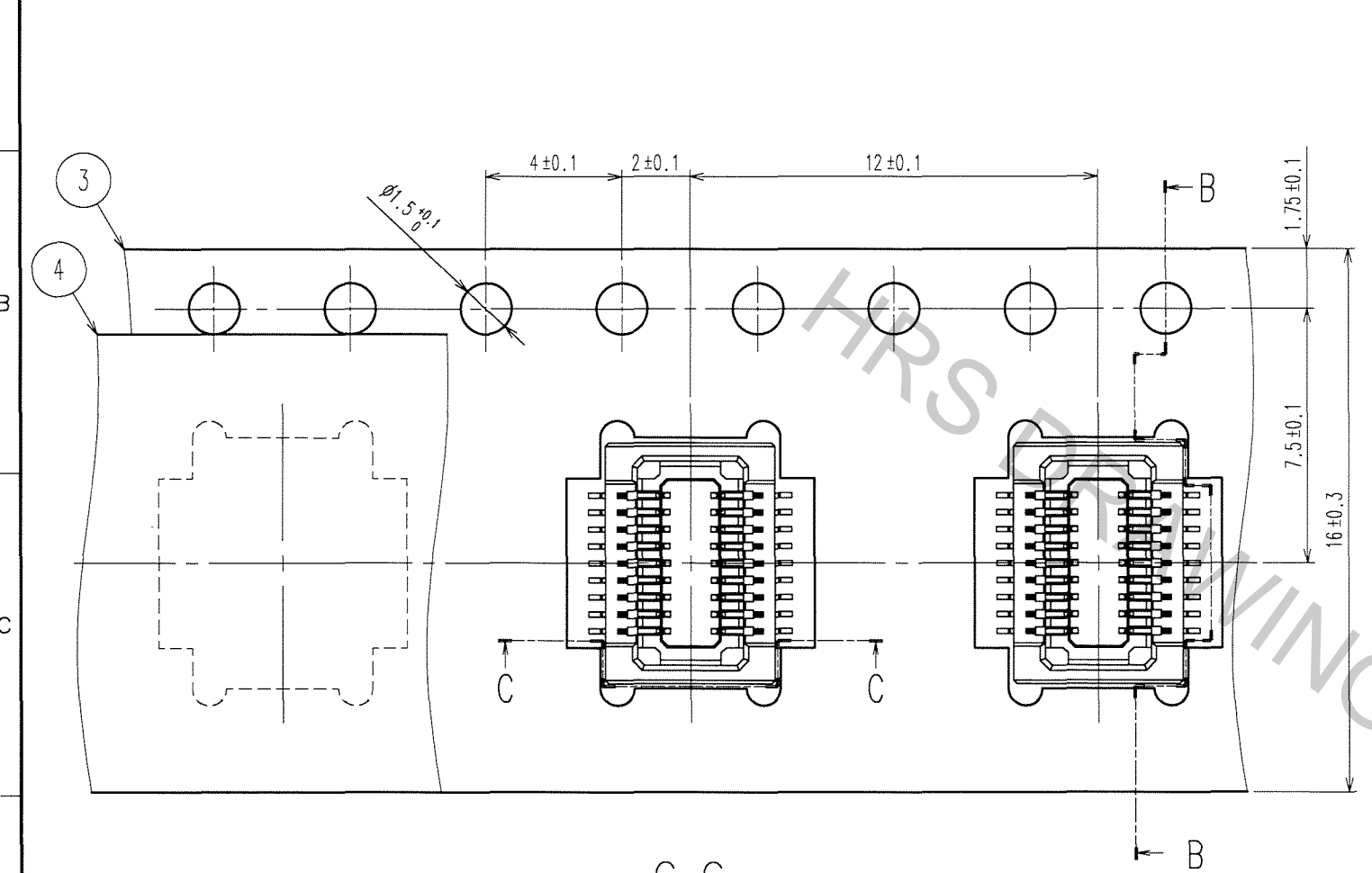
CODE NO. (OLD)	DRAWN	DESIGNED	CHECKED	APPROVED	RELEASED
	A. Aoyagi	T. Yamamoto	M. Miyajima	K. Akeda	
	06.12.07	06.12.07	06.12.08	06.12.08	

SCALE	DRAWING NO.	PART NO.
10 : 1	EDC3-164720-02	DF23E-18DS-0.5V(61)
UNITS	HIROSE ELECTRIC CO., LTD	CODE NO.
mm		CL688-0501-4-61

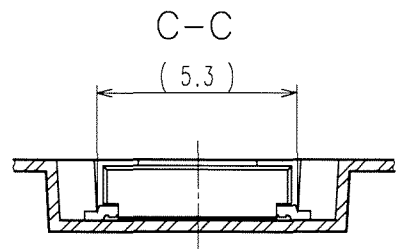
TO

Apr.1.2017 Copyright 2017 HIROSE ELECTRIC CO., LTD. All Rights Reserved.

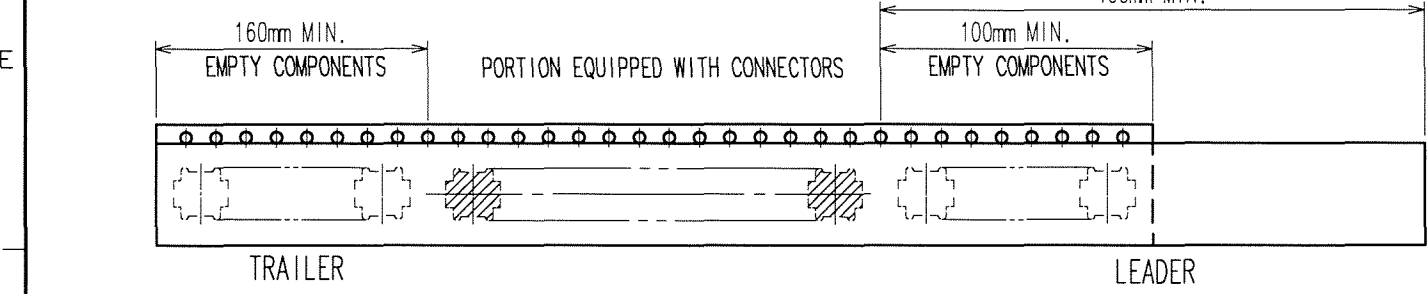
5					6					7					8				
COUNT	DESCRIPTION OF REVISIONS	BY	CHKD	DATE	COUNT	DESCRIPTION OF REVISIONS	BY	CHKD	DATE	COUNT	DESCRIPTION OF REVISIONS	BY	CHKD	DATE	COUNT	DESCRIPTION OF REVISIONS	BY	CHKD	DATE
△					△					△					△				
△					△					△					△				
△					△					△					△				



DIRECTION OF UNREELING



6 Fig. 4: TAPING (FREE)



B-B

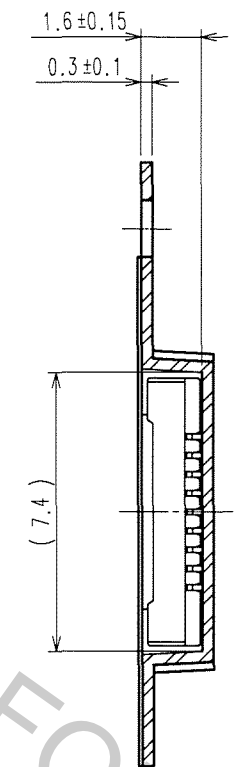
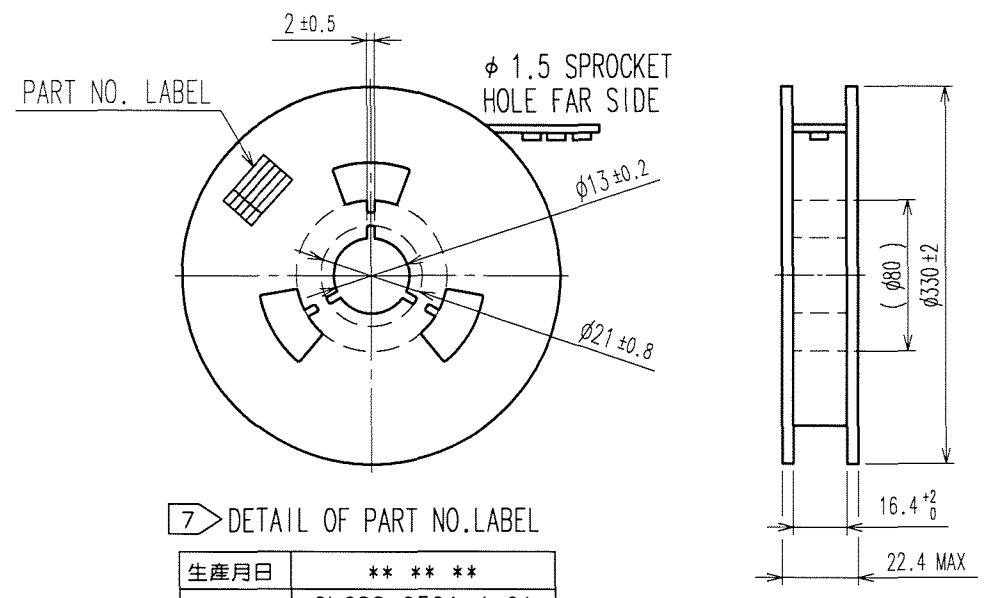


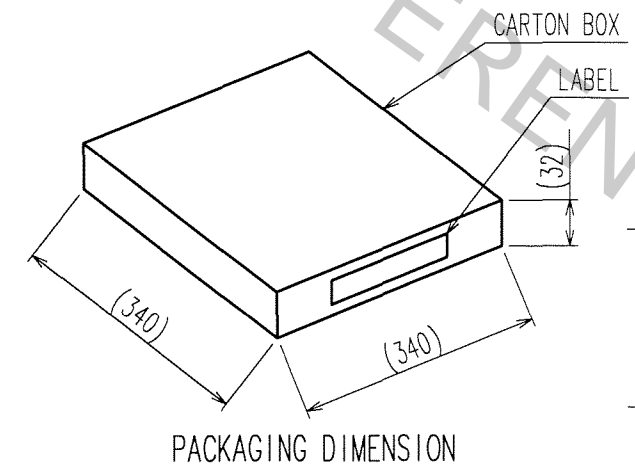
Fig. 5: REEL DIMENSIONS (FREE)



7 DETAIL OF PART NO. LABEL

生産月日	*** ** *
図番	CL688-0501-4-61
品名	DF23E-18DS-0.5V(61)
納入数量	1000 個
納入者	ヒロセ電機株式会社

Fig. 6: PACKAGING SPECIFICATION (FREE)



CODE NO.	NUMBER OF REELS PER BOX		
品名	688-0501-4-61	数量	1RL
PART NO.	DF23E-18DS-0.5V(61)	QTY	1000 個
PART NO.	NUMBER OF PRODUCTS PER REEL		

PACKAGING DIMENSION

DETAIL OF LABEL

- NOTES
- 5 PER REEL 1000 CONNECTORS
  - 6 REFER TO JIS C 0806.  
(PACKAGING OF COMPONENTS FOR AUTOMATIC HANDLING)
  - 7 DETAIL OF PART NO. LABEL IS WRITTEN IN JAPANESE.
  - 8 THE DIMENSIONS IN PARENTHESES ARE FOR REFERENCE.

TO

CODE NO. (OLD) CL?	DRAWN A. Sayagi 06.12.07	DESIGNED T. Yamamoto 06.12.07	CHECKED T. Miyajima 06.12.08	APPROVED H. Akada 06.12.08	RELEASED ..
SCALE 5 : 1	DRAWING NO. EDC3-164720-02	PART NO. DF23E-18DS-0.5V(61)	CODE NO. CL688-0501-4-61		
UNITS mm	HRS HIROSE ELECTRIC CO., LTD		2/2		