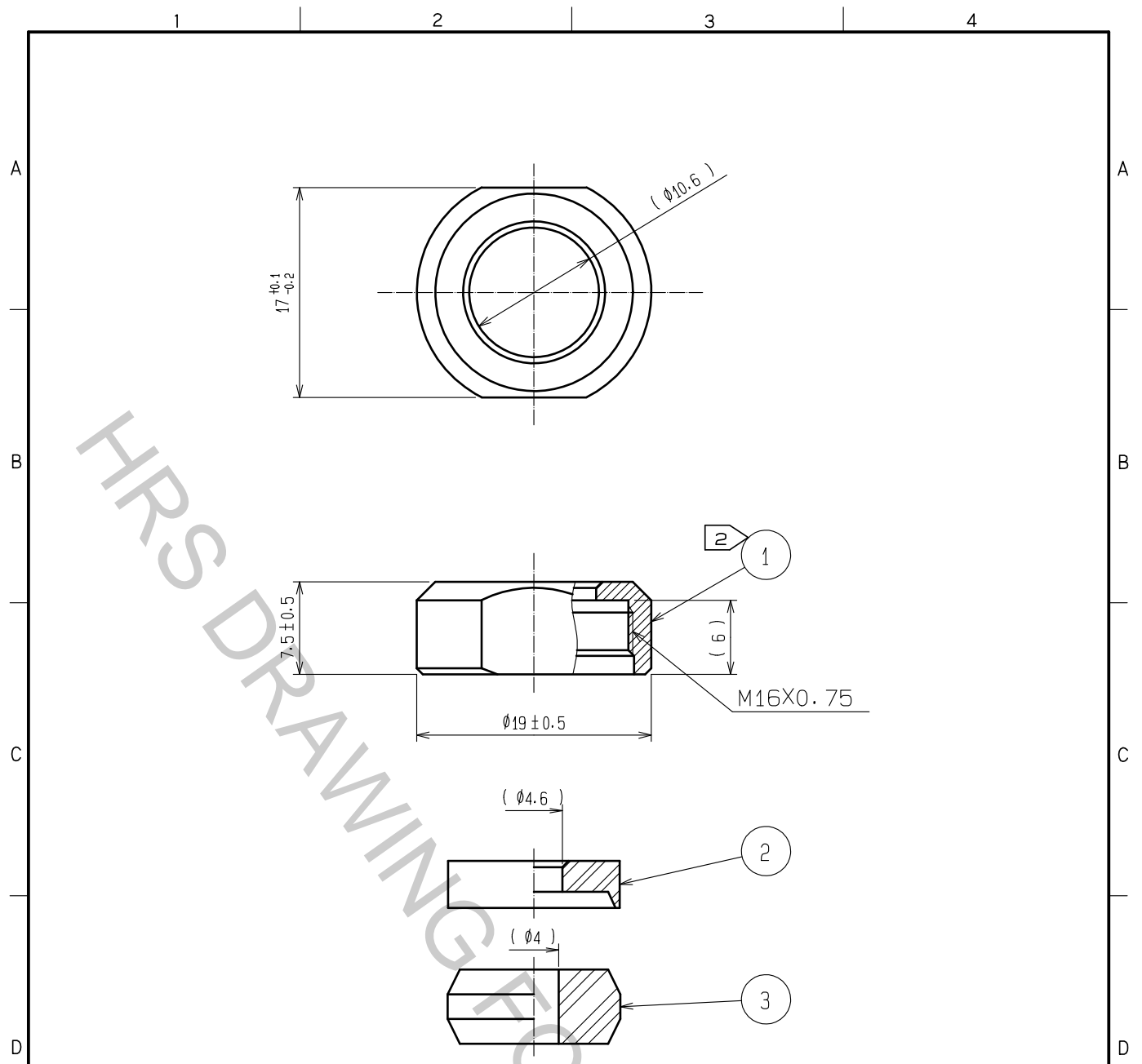


Aug.1.2018 Copyright 2018 HIROSE ELECTRIC CO., LTD. All Rights Reserved.  
 In case that the application demands a high level of reliability, such as automotive,  
 please contact a company representative for further information.



NOTES 1 THIS PRODUCT IS DELIVERED DISASSEMBLED.  
 2 THE RECOMMENDED CLAMP TORQUE OF REF.NO. ① TO BE 2 TO 2.5N · m  
 LOCTITE 263, HENKEL JAPAN OR EQUIVALENT IS RECOMMENDED TO PREVENT  
 REF.NO. ① FROM LOOSENING.

2	POLYPHENYLENE SULFIDE	(BLACK) UL94V-0						
1	BRASS	BLACK CHROME PLATING	3	ACRYLONITRILE BUTADIENE RUBBER	(GRAY)			
NO.	MATERIAL	FINISH .	REMARKS	NO.	MATERIAL	FINISH .	REMARKS	
UNITS mm		SCALE 2 : 1	COUNT 	DESCRIPTION OF REVISIONS		DESIGNED	CHECKED	DATE
HIROSE ELECTRIC CO., LTD.		APPROVED	·HY. KOBAYASHI	18.02.26	DRAWING NO.	EDC-110618-31-00		
		CHECKED	·HY. KOBAYASHI	18.02.26	PART NO.	JR13WCCA-4(31)		
		DESIGNED	·TH. KAMEYA	18.02.23	CODE NO.	CL114-2069-9-31		
		DRAWN	·MK. INOUE	18.02.14		1/1		