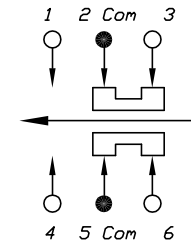
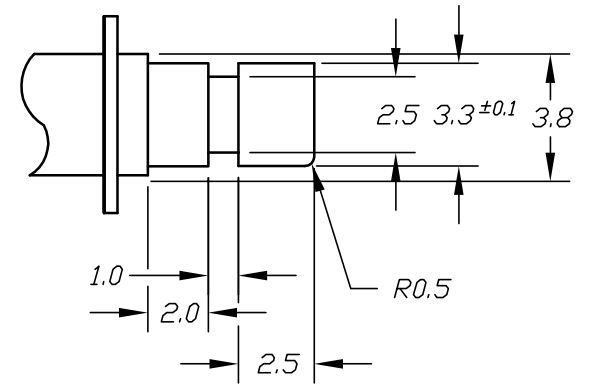
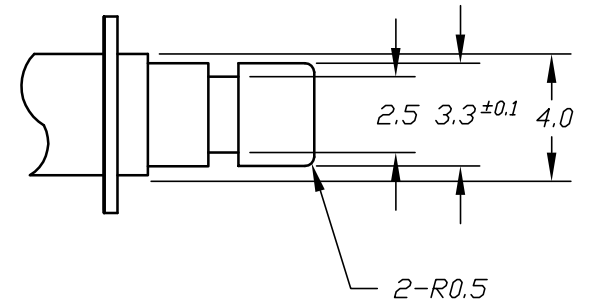
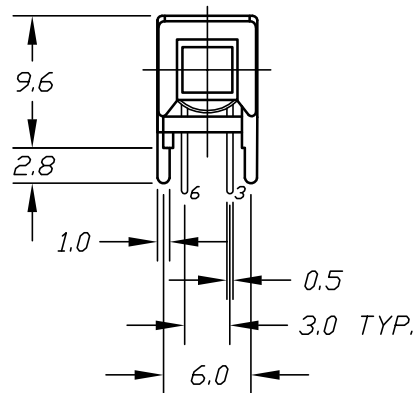
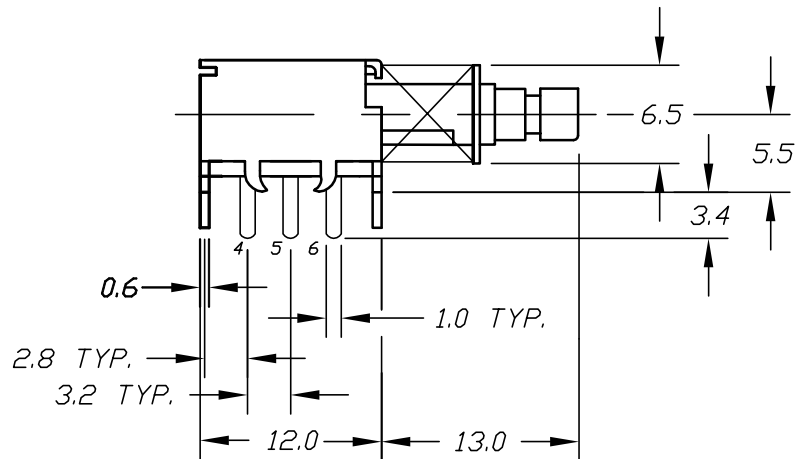


RECOMMEND P.C.B. HOLES



CIRCUIT: DPDT

CONTACT CONFIGURATION



(ACTUATOR DETAIL) SCALE 4:1

NOTES:

1. ALL DIMENSIONS IN MM
2. GENERAL TOLERANCE: X.X=±0.4  
X.XX=±0.25
3. TERM. NOS. FOR REFERENCE ONLY.
4. RATING: DC 30V, 0.3A
5. OPERATING FORCE: 330±150GF
6. TRAVEL: FULL 3.5MM
7. TIMING: SHORTING

**E-SWITCH®**

|            |          |    |         |     |
|------------|----------|----|---------|-----|
| TITLE      |          |    |         |     |
| LC2255OASP |          |    |         |     |
| SCALE      | DATE     | DR | DWG     | REV |
| 2:1        | 12/10/03 | AR | P020102 | A   |

|      |         |                         |          |      |
|------|---------|-------------------------|----------|------|
| A    | 13647   | RELEASED FOR PRODUCTION | 12/10/03 | AR   |
| REV. | ECN No. | DESCRIPTION             | DATE     | CHKD |

THE INFORMATION CONTAINED IN THIS DOCUMENT IS PROPRIETARY TO E-SWITCH AND IS NOT TO BE COPIED OR TRANSFERRED