

4801, Plug, solder terminal, screened, 2.5 mm, 2-pole, straight, UK-Connector



Description

- Solder terminal :
for cable mounting
- Data and Signal transfer
- Data and Signal Connectors 2-pole , shielded , straight

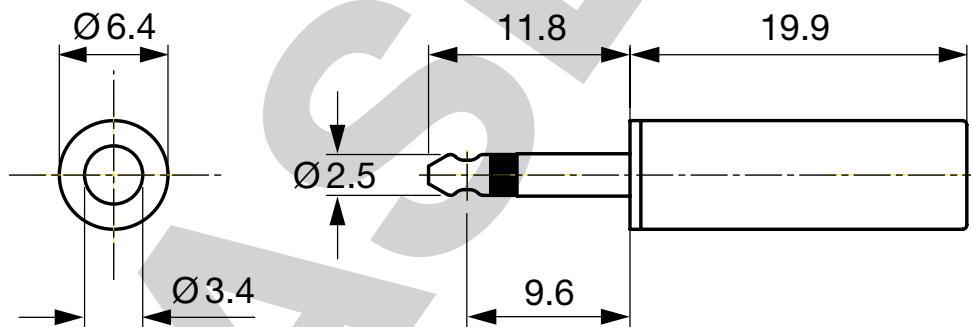
References

Alternative: Housing insulated [4801.1210](#)
Last order date: 30.06.2016

Technical Data

Diameter	2.5 mm	Allowable Operation Temp.	-20 °C to 70 °C
Number of Poles	2-pole	Terminal	solder terminal
Ratings DC	1 A / 12VDC	Housings	screened
Ratings AC	0.65A / 12VAC	Style	straight
Dielectric Strength	500VDC	Lifetime	10000 Insertions
Insulation Resistance	> 10000 MΩ @ 500VDC		

Dimensions



All Variants

Product group	Diameter [mm]	Number of Poles	Terminal	Order Number
Data and Signal Plug/ Sockets	2.5	2-pole	solder terminal	4801.1200

Most Popular.

Availability for all products can be searched real-time: <http://www.schurter.com/Stock-Check/Stock-Check-SCHURTER>

Packaging unit

100 Pcs