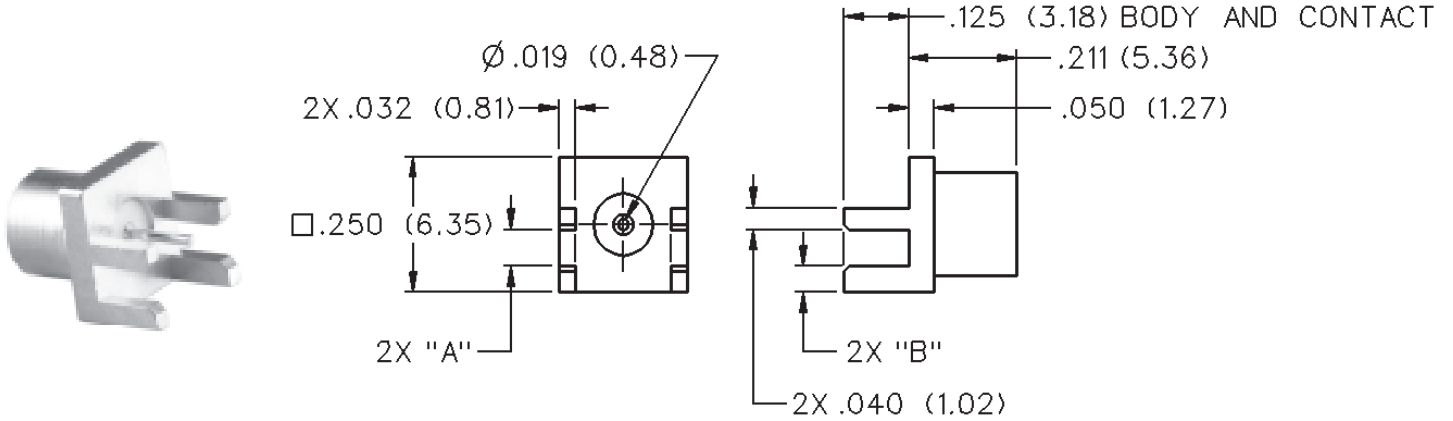


MCX 50 Ohm End Launch Jack Receptacle - Round Contact



BOARD THICKNESS	GOLD PLATED	NICKEL PLATED	"A"	"B"
.062 (1.57)	133-3701-801	133-3701-806	.068 (1.73)	.048 (1.22)

