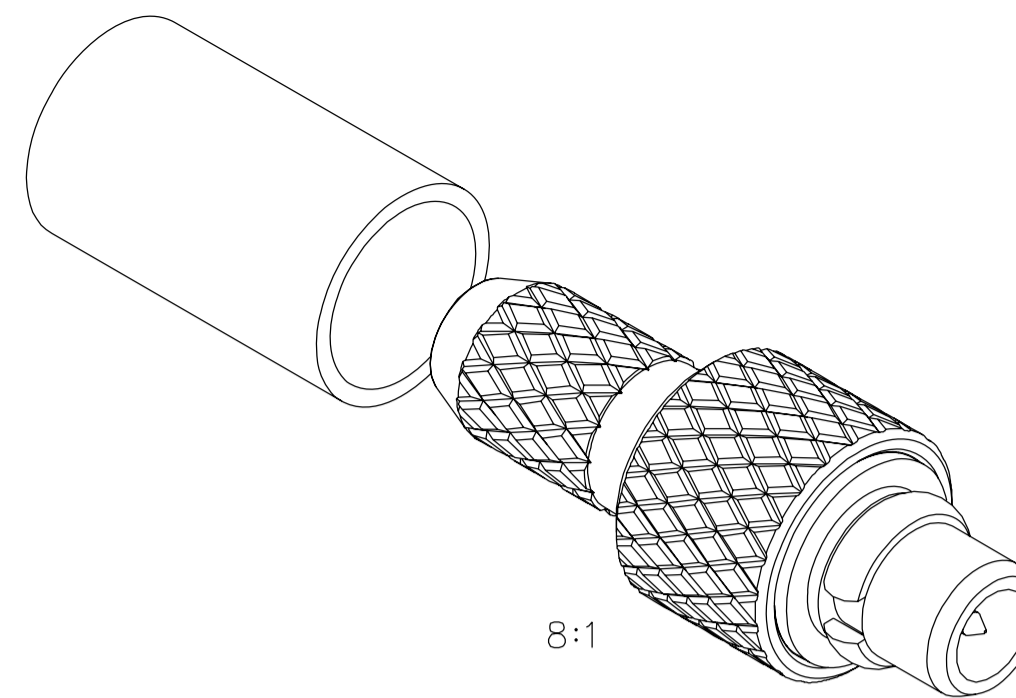
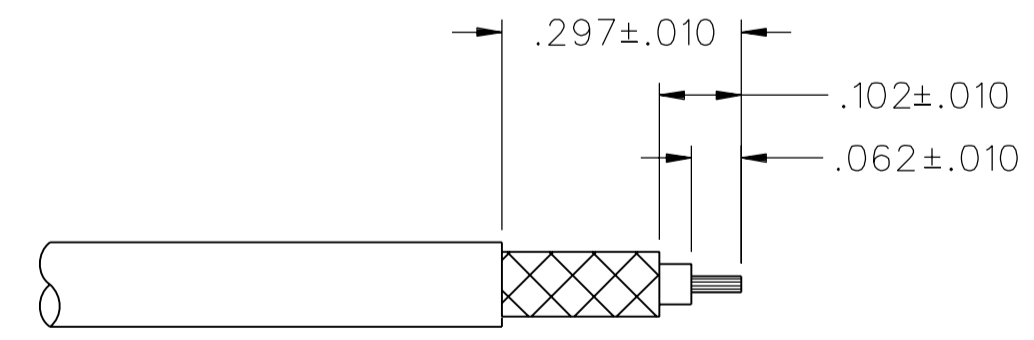
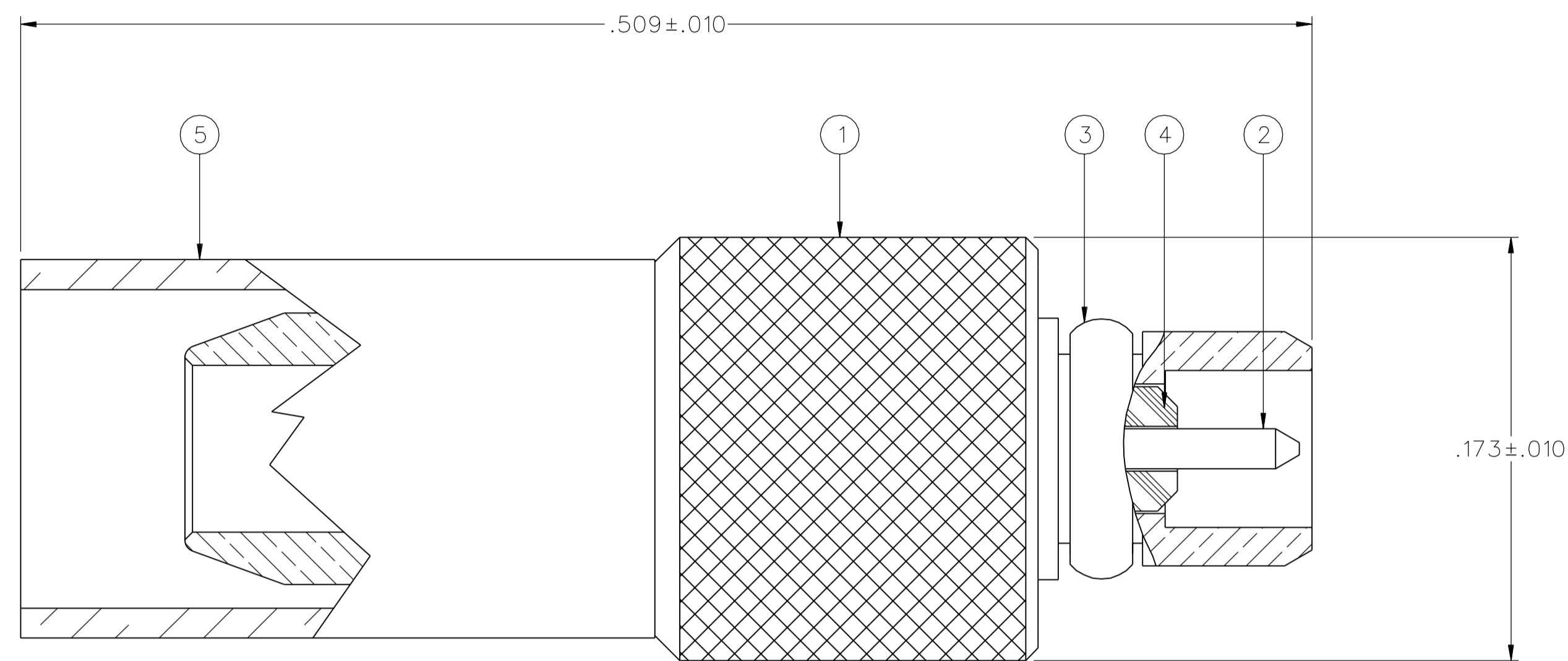


PART NUMBER 135-9403-001	ITEM ① BODY COPPER ALLOY GOLD PL .00005 MIN OVER COPPER PL .00005 MIN	ITEM ② CONTACT BERYLLIUM COPPER GOLD PL .00005 MIN OVER COPPER PL .00005 MIN	ITEM ③ INTERFACE SPRING BERYLLIUM COPPER GOLD PL .00005 MIN OVER COPPER PL .00005 MIN	ITEM ④ INSULATOR TEFLON	ITEM ⑤ CRIMP SLEEVE COPPER GOLD PL .00005 MIN OVER COPPER PL .00005 MIN
-----------------------------	---	--	---	-------------------------------	---

DRAWING NO. C - 135-9403-001/010	
0	REVISIONS
ENGINEERING RELEASE	
1	9-6-07 P J T M T A D A J J T S K U S 9-14-07 ECN 51225



8:1



CABLE STRIP DIMENSIONS

4:1

CUSTOMER DRAWING

THIS DRAWING TO BE INTERPRETED PER ASME Y 14.5M - 1994

"μSTATION"

COMPANY CONFIDENTIAL

NOTES:

- SPECIFICATIONS:
  - IMPEDANCE: 50 OHMS
  - FREQUENCY RANGE: 0-6 GHz
  - VSWR: 1.2 MAX (F IN GHz)
  - WORKING VOLTAGE: 170 VRMS MAX AT SEA LEVEL
  - DIELECTRIC WITHSTANDING VOLTAGE: 500 VRMS MIN AT SEA LEVEL
  - INSULATION RESISTANCE: 1000 MEGOHM MIN
  - CONTACT RESISTANCE:
    - CENTER CONTACT - INITIAL 5.0 MILLIOHM MAX, AFTER ENVIRONMENTAL 8.0 MILLIOHM MAX
    - OUTER CONDUCTOR - INITIAL 1 MILLIOHM MAX, AFTER ENVIRONMENTAL 1.5 MILLIOHM MAX
    - BODY TO BRAID - INITIAL 1.5 MILLIOHM MAX, AFTER ENVIRONMENTAL NOT APPLICABLE
  - CORONA LEVEL: 190 VOLTS MINIMUM AT 70,000 FEET
  - INSERTION LOSS: 0.1 DB MAX AT 1 GHZ
  - RF LEAKAGE: -60 DB AT 2.5 GHZ
  - RF HIGH POTENTIAL WITHSTANDING VOLTAGE: 400 VRMS AT 4 AND 7 MHZ

MECHANICAL:

- ENGAGE/DISENGAGE FORCE: 8.0 LBS MAX ENGAGEMENT  
1.4 LBS MIN DISENGAGEMENT
- CONTACT RETENTION FORCE: 2.0 LBS MIN AXIAL FORCE
- CONTACT RETENTION TORQUE: NOT APPLICABLE
- COUPLING MECHANISM RETENTION: NOT APPLICABLE
- CABLE ACCEPTABILITY: RG 316/U, 188, 161, 174
- CABLE HEX CRIMP SIZE: .128 HEX
- CABLE RETENTION: 20 LBS
- DURABILITY: 500 CYCLES MIN

ENVIRONMENTAL:

- (MEETS OR EXCEEDS THE APPLICABLE PARAGRAPH OF MIL-PRF-39012)
- THERMAL SHOCK: MIL-STD-202, METHOD 107, CONDITION C, EXCEPT -55 DEG C TO 155 DEG C
- OPERATING TEMPERATURE: -55 DEG C TO 155 DEG C
- CORROSION: MIL-STD-202, METHOD 101, CONDITION B
- SHOCK: MIL-STD-202, METHOD 213, CONDITION B
- VIBRATION: MIL-STD-202, METHOD 204, CONDITION D
- MOISTURE: MIL-STD-202, METHOD 106

TOLERANCE UNLESS OTHERWISE SPECIFIED		DRAWN BY JDS	DATE 9-6-07
DECIMALS	mm	CHECKED BY TAK	DATE 9-14-07
.XX	_____	APPROVED BY TJS	DATE 9-14-07
.XXX ±.003	_____	RELEASE DATE	9-14-07
MATL	_____	U/M	INCH
FINISH	_____	SCALE	20:1

**cinch** Connectivity Solutions  
P.O. Box 1732  
Waseca, MN 56093  
1-800-247-8256

TITLE  
ASSEMBLY, PLUG  
STRAIGHT CABLED RG 316  
NON-MAGNETIC MMCX

SHEET 2 OF 2  
DRAWING NO.  
C - 135-9403-001/010