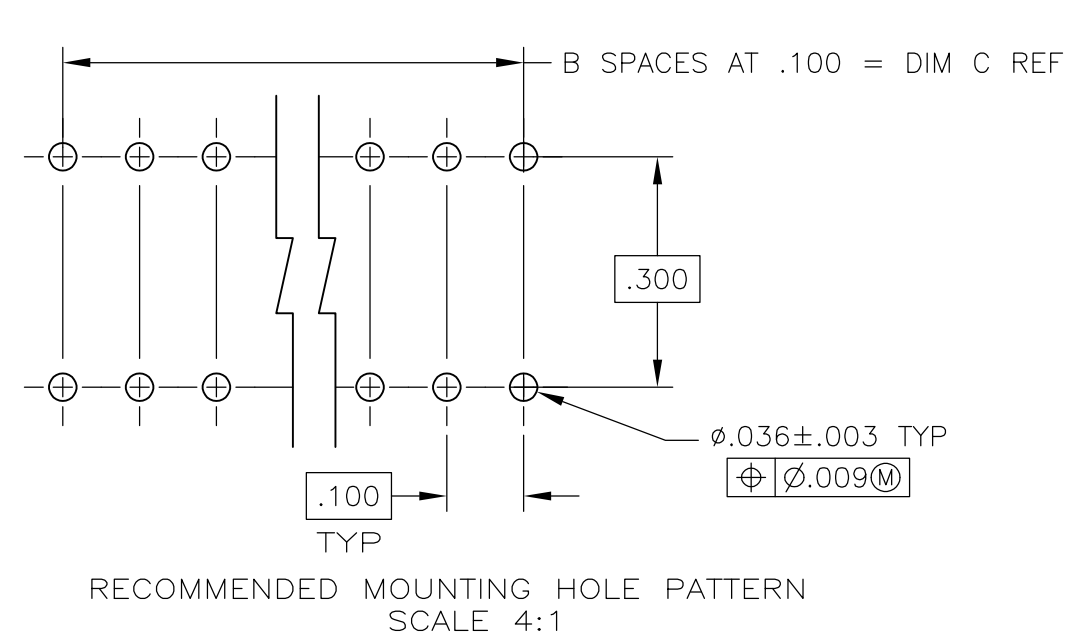
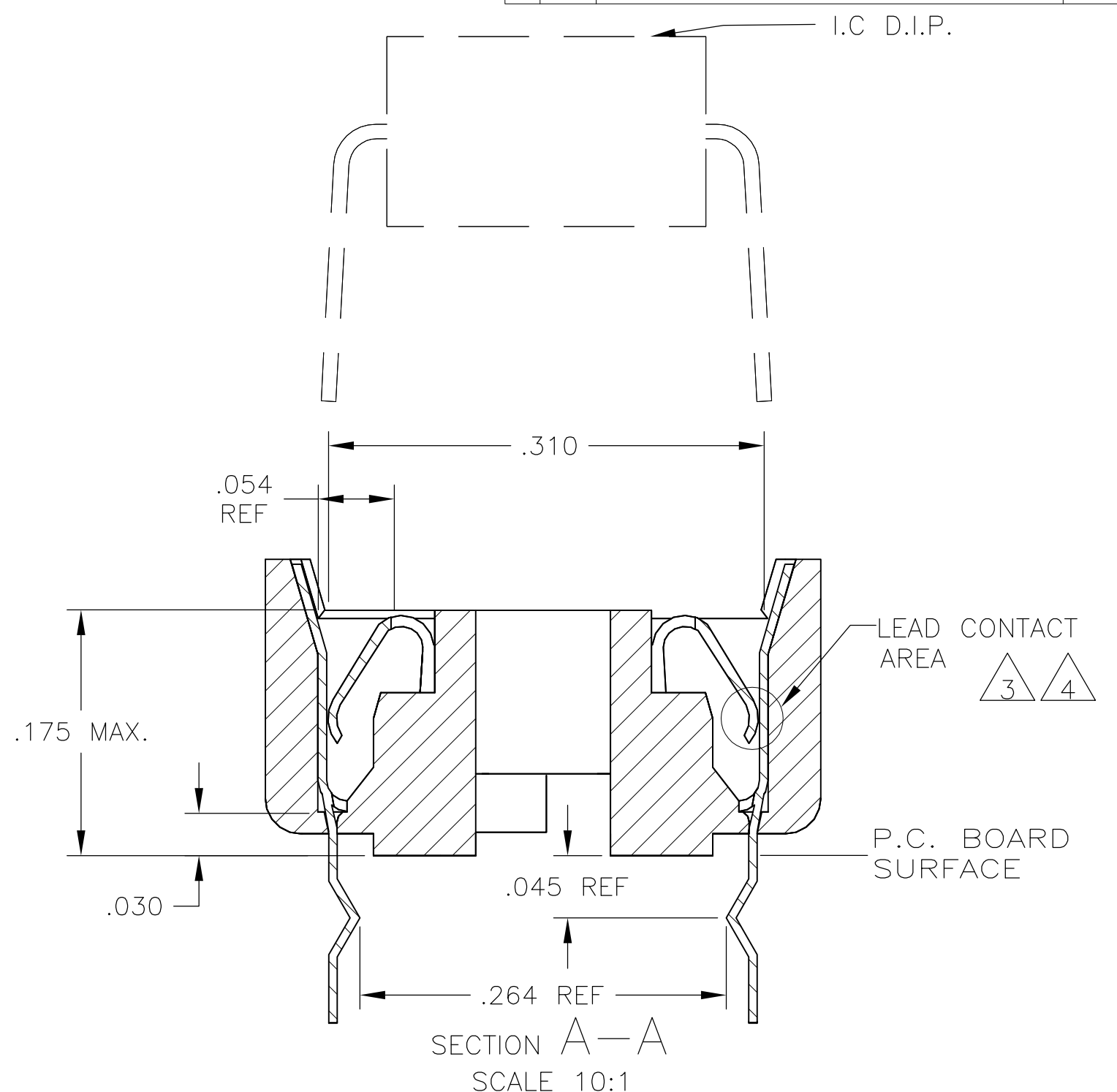
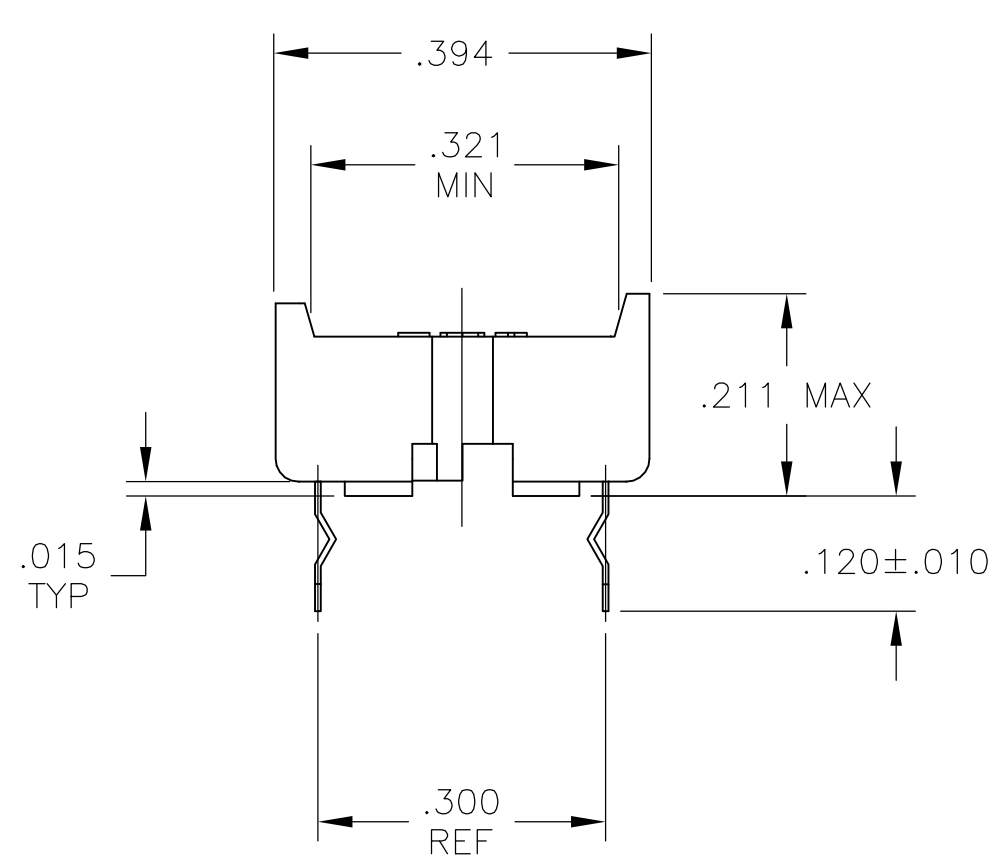
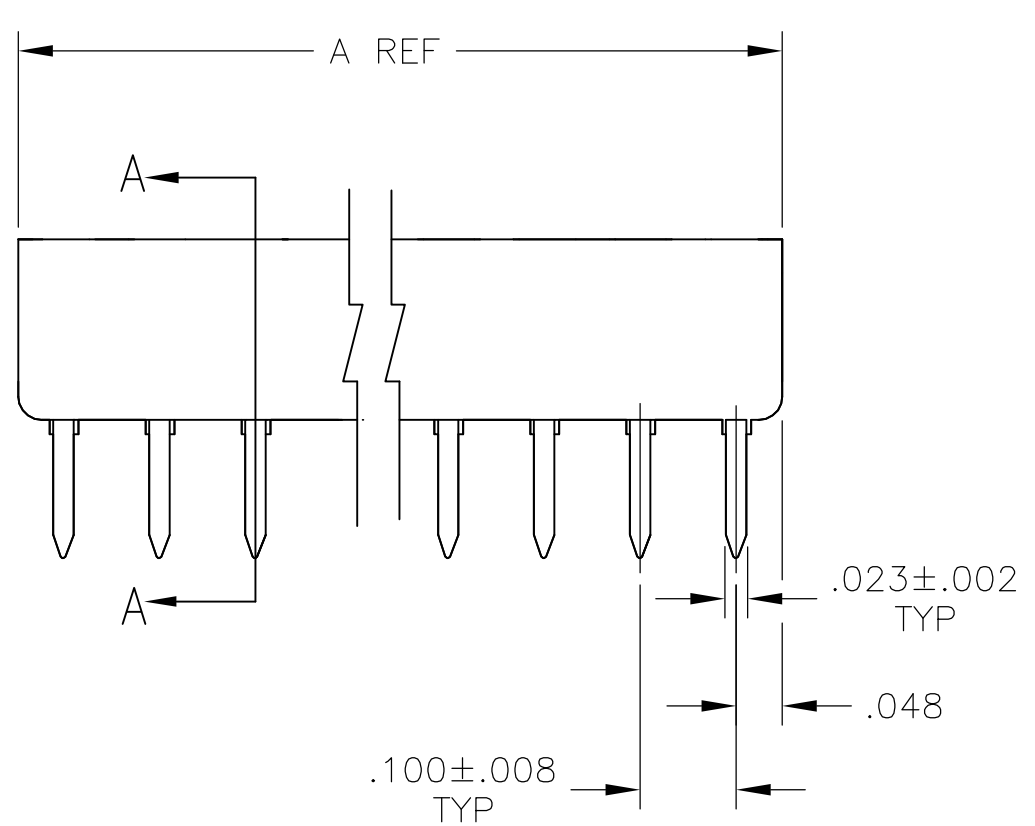
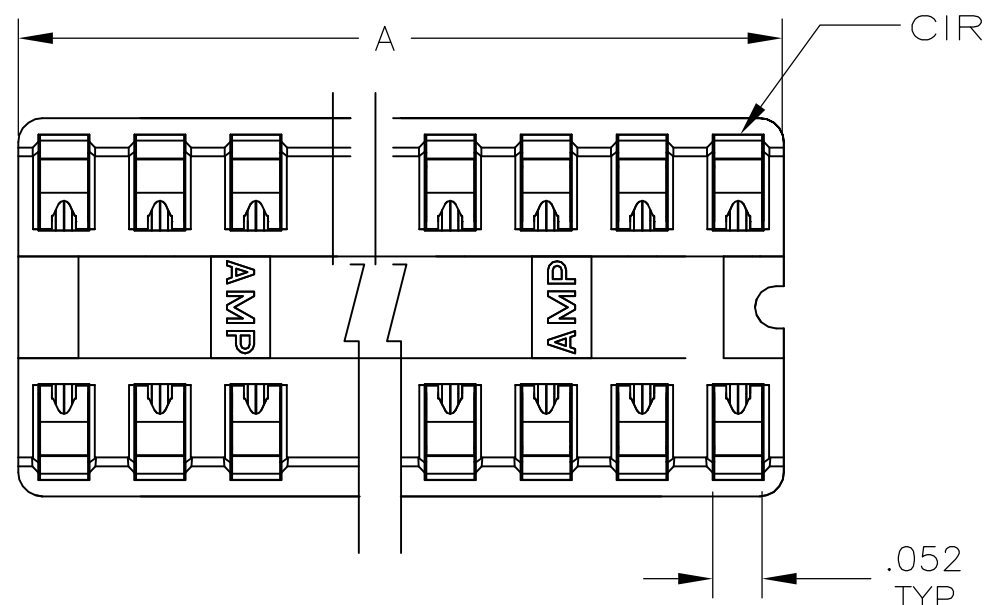


THIS DRAWING IS UNPUBLISHED. RELEASED FOR PUBLICATION
 © COPYRIGHT BY TYCO ELECTRONICS CORPORATION. ALL RIGHTS RESERVED.

LOC	DIST	REVISIONS			
P	LTR	DESCRIPTION	DATE	DWN	APVD
	A	ECO-05-013690	02JAN05	BSV	KD
	A1	REVISED PER ECO-09-024927	07NOV09	KK	AEG



- 1 RECEPTACLE ACCEPTS A .008-.014 THICK I.C. LEAD.
- 2 TUBE LOADED FOR AUTOMATIC INSERTION.
- 3 BECU CONTACT -PLATED WITH TWO .000030 MIN THK. GOLD STRIPES IN CONTACT AREA WITH TIN ON CONTACT LEGS, BALANCE OF CONTACT NICKEL PLATED.
- 4 PHOS. BRZ CONTACT - PLATED WITH TWO .000015 MIN THK. GOLD STRIPES IN CONTACT AREA WITH TIN ON CONTACT LEGS, BALANCE OF CONTACT NICKEL PLATED.
- 5 GLASS FILLED THERMOPLASTIC, 94V-0, BLACK
- 6 OBSOLETE PARTS: OBSOLETE CIS STREAMLINING PER D.RENAUD/D.SINISI

CONTACT & FINISH	DIM. C B	SPCS	DIM. A	POSITION	PART NO.
3	1.100	11	1.195	24	1-1825374-7
3	.900	9	.995	20	1-1825374-6
3	.800	8	.895	18	1-1825374-5
3	.700	7	.795	16	1-1825374-4
3	.600	6	.695	14	1-1825374-3
3	.300	3	.395	8	1-1825374-2
3	.200	2	.295	6	1-1825374-1
4	1.100	11	1.195	24	1825374-7
4	.900	9	.995	20	1825374-6
4	.800	8	.895	18	1825374-5
4	.700	7	.795	16	1825374-4
4	.600	6	.695	14	1825374-3
4	.300	3	.395	8	1825374-2
4	.200	2	.295	6	1825374-1

THIS DRAWING IS A CONTROLLED DOCUMENT.

DIMENSIONS: INCHES	TOLERANCES UNLESS OTHERWISE SPECIFIED:	DWN: B.S.VISWESWARA	21APR05	Tyco Electronics Corporation Harrisburg, Pa 17105-3608
0 PLC ± -	1 PLC ± -	CHK: K WRIGHT	APVD: -	
1 PLC ± -	2 PLC ± -	NAME: -	PRODUCT SPEC: 108-1066	DIP SOCKET ASSY, LADDER, DIPLOMATE, RET. LEAD .300 CL, LEAD FREE
2 PLC ± -	3 PLC ± .005	APPLICATION SPEC: 114-1049	WEIGHT: -	
3 PLC ± .005	4 PLC ± -	SIZE: A2	CAGE CODE: 00779	RESTRICTED TO: -
4 PLC ± -	ANGLES ± 0°30'	DRAWING NO: C=1825374	SCALE: 5:1	SHEET 1 OF 1
MATERIAL: SEE TABLE	FINISH: SEE TABLE	CUSTOMER DRAWING	REV: A1	