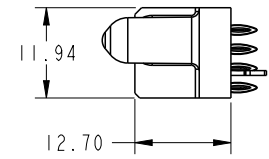
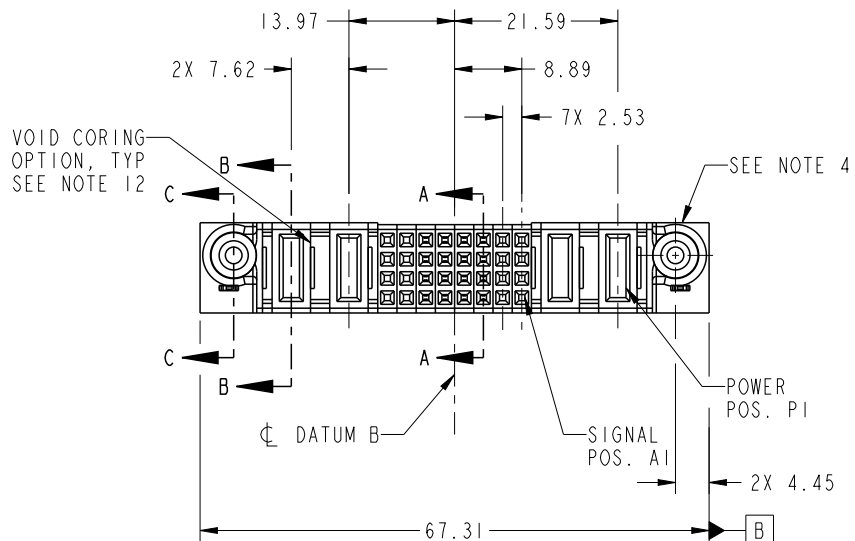


PRODUCT NO.	ROWS	POWER			SIGNAL							POWER		E1	
		E2	P4	P3	8	7	6	5	4	3	2	1	P2		P1
51750-115-- NOTE: 3	D C B A		PC	PC	X	X	F	F	F	F	X	X	PC	PC	
					X	X	F	F	F	F	X	X			
					X	X	F	F	F	F	X	X			
					X	X	F	F	F	F	X	X			



CODE	DIM "M" MATING LENGTH	CONTACT TYPE
PC	[1.07]	POWER
F	[N/A]	SIGNAL
HA	[N/A]	HOLD-DOWN

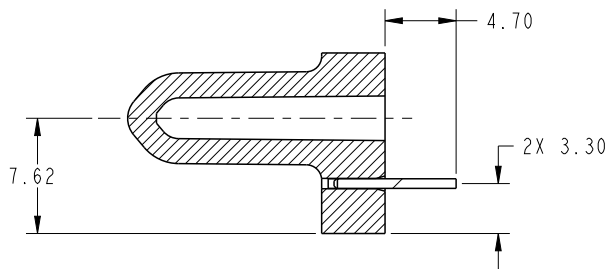
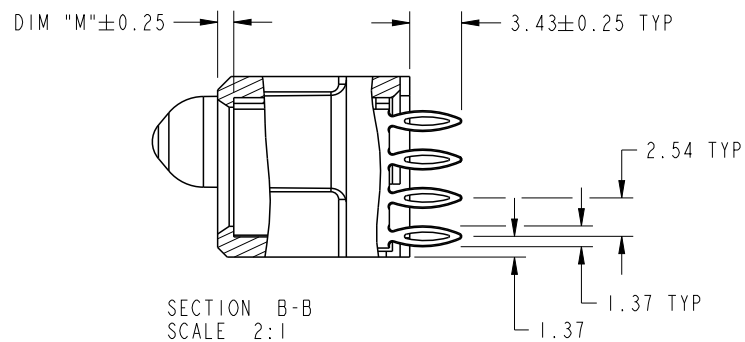
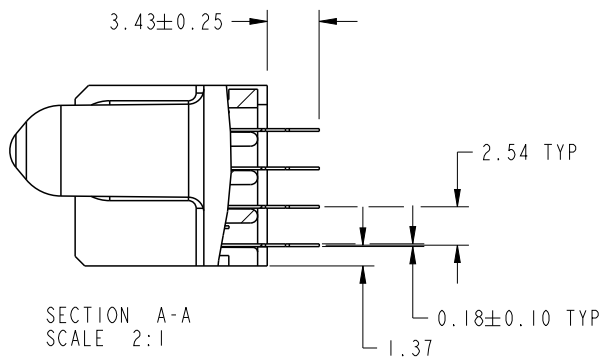
spec ref	SEE NOTE			dr	Anson Liu	2011/05/11	projection 	MM 	size	A4	scale	1:1
tolerance std	TOLERANCES UNLESS OTHERWISE SPECIFIED			eng	Guang, Shi	2011/06/22			ecn no	-		
see notes				chr	-	-			rel level	Released		
surface	linear	0.X	±0.50		title	2ACP + 32S + 2ACP		dwg no	51750-115		rev	A
		0.XX	±0.25			VERTICAL PF RECEPT						
	angular	0°	±2°			www.fci.com	cat. no.		Product - Customer Drw			sheet 1 of 4



Copyright FCI.

PRODUCT NUMBER

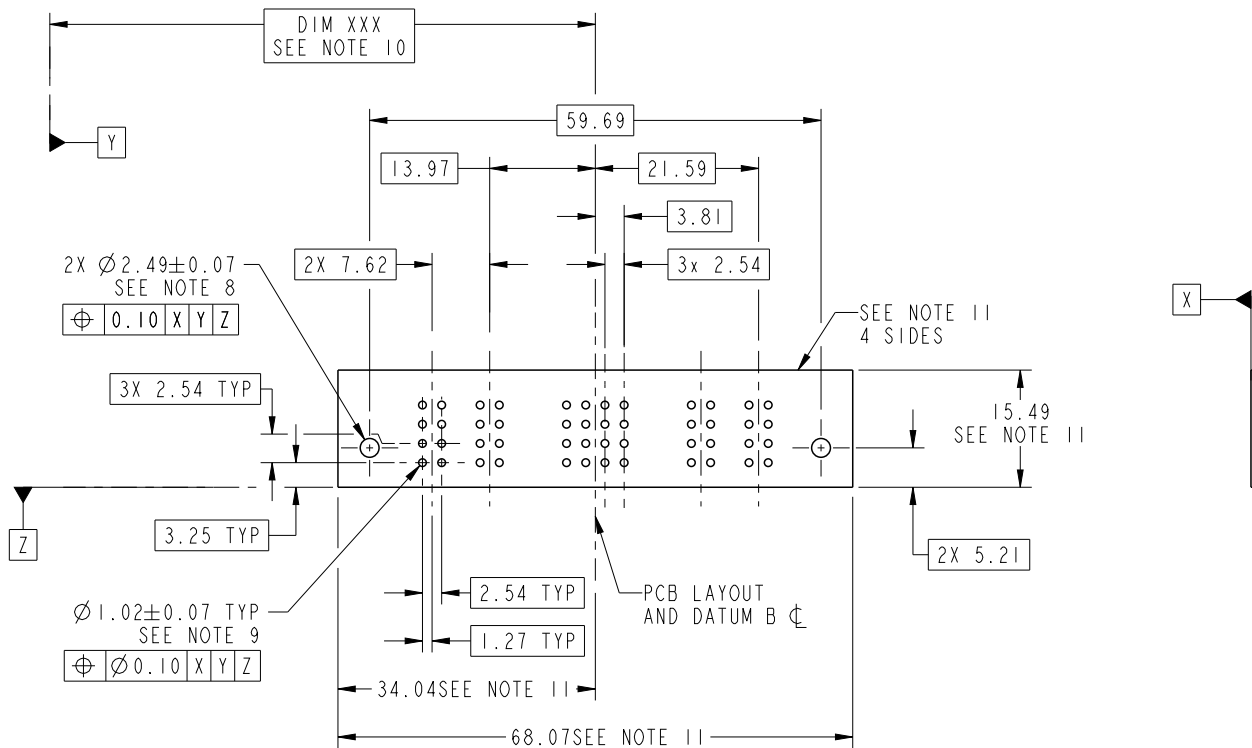
51750-115:--
NOTE: 3



spec ref		SEE NOTE		dr	Anson Liu	2011/05/11	projection 	MM ←→	size	A4	scale	1:1
tolerance std		TOLERANCES UNLESS OTHERWISE SPECIFIED		eng	Guang, Shi	2011/06/22			ecn no	-		
see notes				chr	-	-						
surface		linear	0.X	±0.50	FCj www.fci.com	title 2ACP + 32S + 2ACP VERTICAL PF RECEPT	product family	PwrBlade	rel level	Released		
✓			0.XX	±0.25						cat. no.	Product - Customer Drw	sheet 2 of 4
			0.XXX	±0.10								
	angular	0°	±2°									

PRODUCT NUMBER

51750-115:--
NOTE: 3



RECOMMENDED PCB LAYOUT

spec ref	SEE NOTE			dr	Anson Liu	2011/05/11	projection	MM	size	A4	scale	1:1				
tolerance std	TOLERANCES UNLESS OTHERWISE SPECIFIED			eng	Guang, Shi	2011/06/22			←→	ecn no	-	rel level	Released			
see notes				chr	-	-		appr						Pei-Ming Zheng	2011/06/22	product family
surface ✓	linear	0.X	±0.50		title	2ACP + 32S + 2ACP	dwg no	51750-115	rev	A	www.fci.com	cat. no.	Product - Customer Drw	sheet 3 of 4		
		0.XX	±0.25													
0.XXX	±0.10															
	angular	0°	±2°													

PRODUCT NUMBER

51750-115:--
NOTE: 3

NOTES:

1. DIMENSIONS AND TOLERANCES ARE IN ACCORDANCE WITH ASME Y14.5M, 1994 UNLESS OTHERWISE SPECIFIED.

CONNECTOR NOTES:

- ② HOUSING MATERIAL: UL 94 V-0 GLASS FILLED HIGH-TEMP THERMOPLASTIC
POWER CONTACT MATERIAL: COPPER ALLOY
SIGNAL PIN MATERIAL: COPPER ALLOY
 - 3. SEE ITEM 3&4 IN PRINT 10064183 FOR PLATING SPEC OF 51750-115 AND 51750-115LF RESPECTIVELY.
 - ④ MANUFACTURER'S NAME, DATE CODE AND OPTIONAL P/N TO APPEAR ON THIS SURFACE. THE P/N CAN BE OMITTED IF THERE IS NOT ENOUGH SPACE ON THIS SURFACE.
 - 5. PRODUCT SPECIFICATION GS-12-149.
APPLICATION SPECIFICATION BUS-20-067.
 - 6. PACKAGED IN TRAYS.
- PCB NOTES:
- 7. ALL HOLE DIAMETERS ARE FINISHED HOLE SIZE.
 - ⑧ MOUNTING HOLES, WHERE APPLICABLE, ARE UNPLATED.
 - ⑨ $\varnothing 1.151 \pm 0.025$ DRILLED HOLES PLATED WITH
0.008 MIN SnPb OR Sn OVER 0.03
TO 0.08 Cu PLATING TO ACHIEVE
 $\varnothing 1.02 \pm 0.07$ HOLE.
 - ⑩ "DIM XXX" TO BE DETERMINED BY THE CUSTOMER.
 - ⑪ CONNECTOR KEEP-OUT ZONE.
12. THE VOID CORING IN BETWEEN POWER MODULES, SIGNAL MODULES AND END MODULES ARE OPTIONAL AND THE SHAPE MAY BE DIFFERENT FOR OPTIMIZE THE MOLDING PROCESS. THE VOID CORING WILL NOT EFFECT TO PRODUCT FUNCTION.

spec ref	SEE NOTE			dr	Anson Liu	2011/05/11	projection 	MM 	size	A4	scale	1:1
tolerance std	TOLERANCES UNLESS OTHERWISE SPECIFIED			eng	Guang, Shi	2011/06/22			ecn no	-		
see notes				chr	-	-						
surface	linear	0.X	± 0.50	appr	Pei-Ming Zheng	2011/06/22	product family	PwrBlade	rel level	Released		
		0.XX	± 0.25				title	2ACP + 32S + 2ACP	dwg no	51750-115	rev	A
		0.XXX	± 0.10									
	angular	0°	$\pm 2^\circ$	www.fci.com	cat. no.	Product - Customer Drw			sheet 4 of 4			



Copyright FCI.