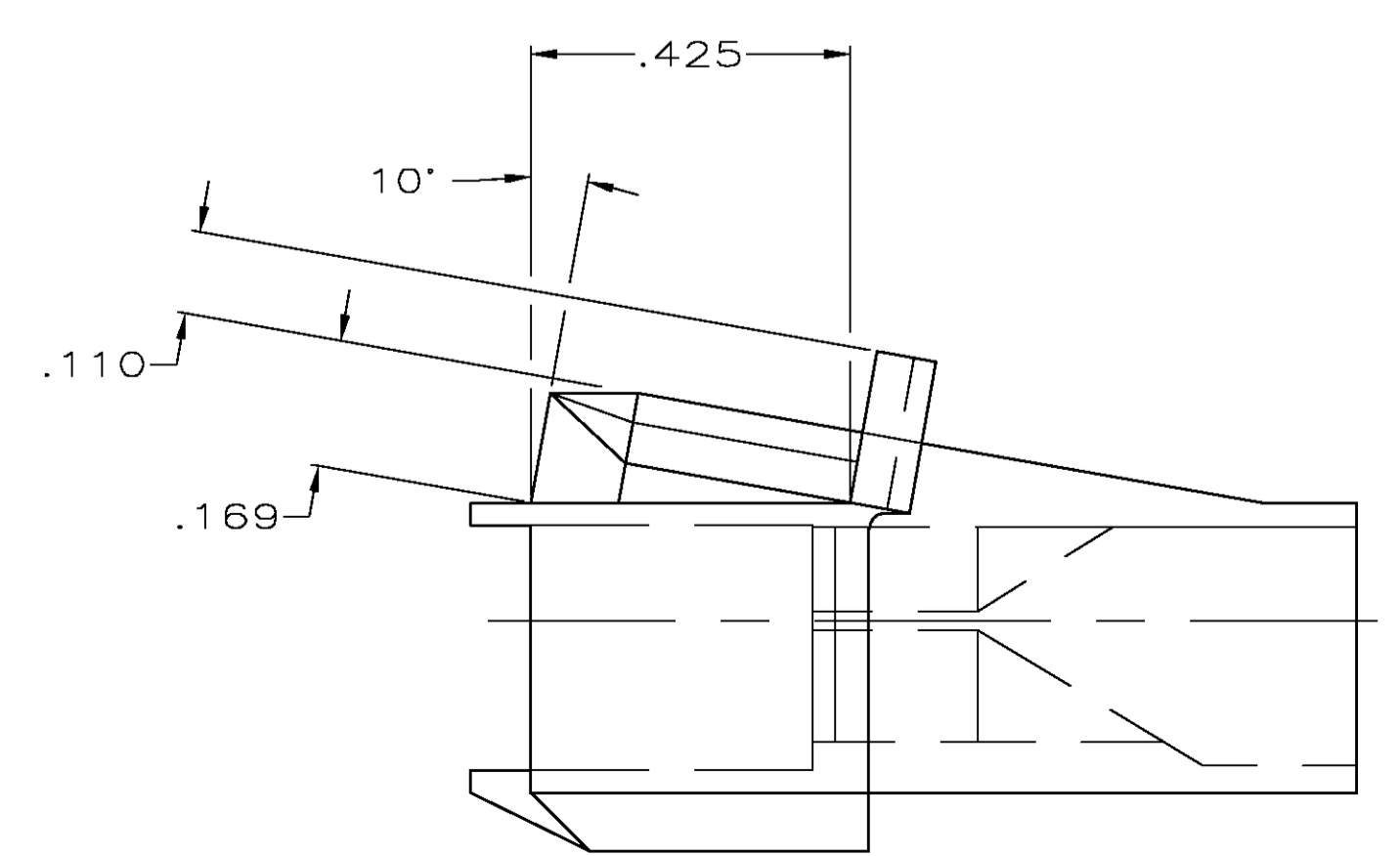
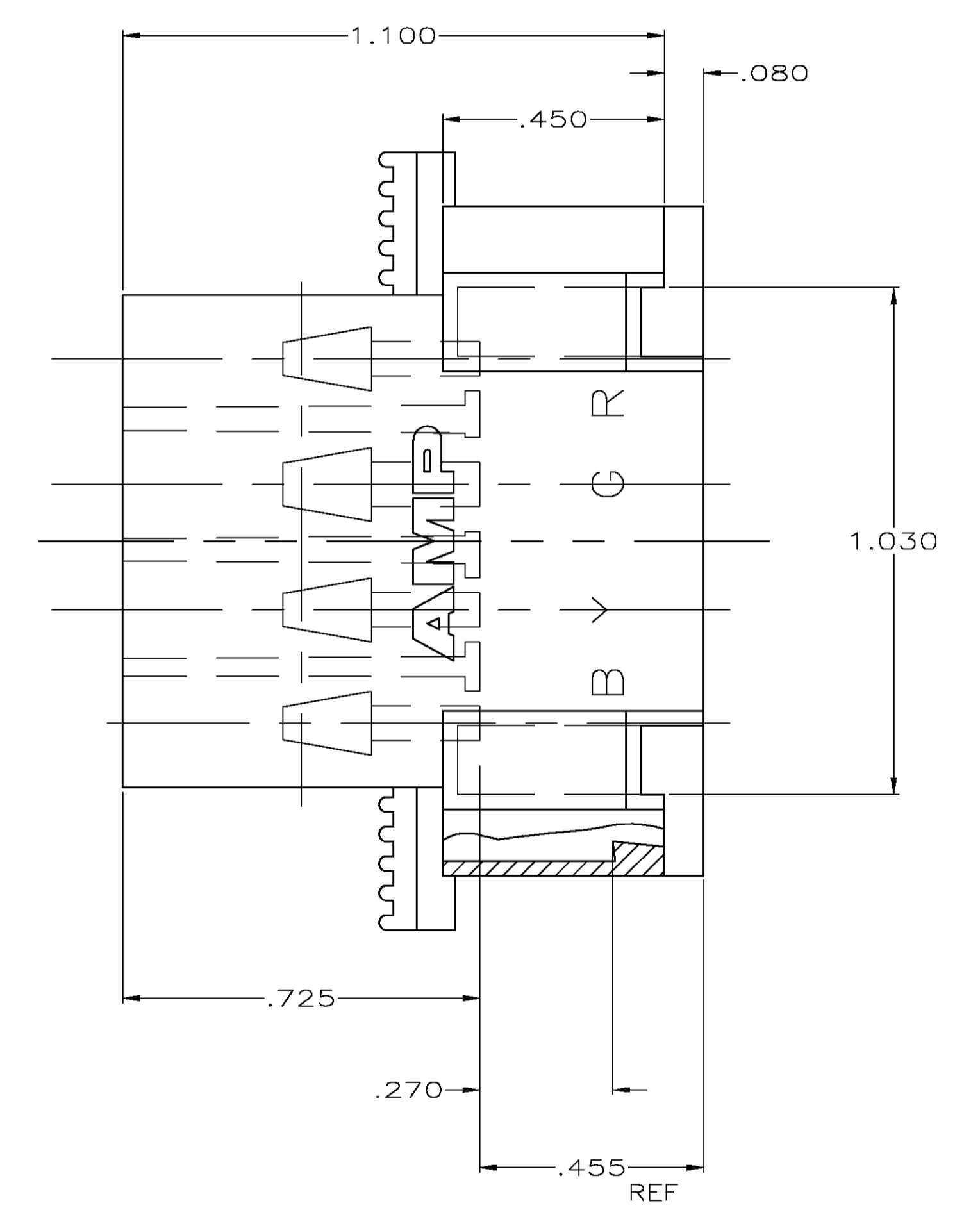
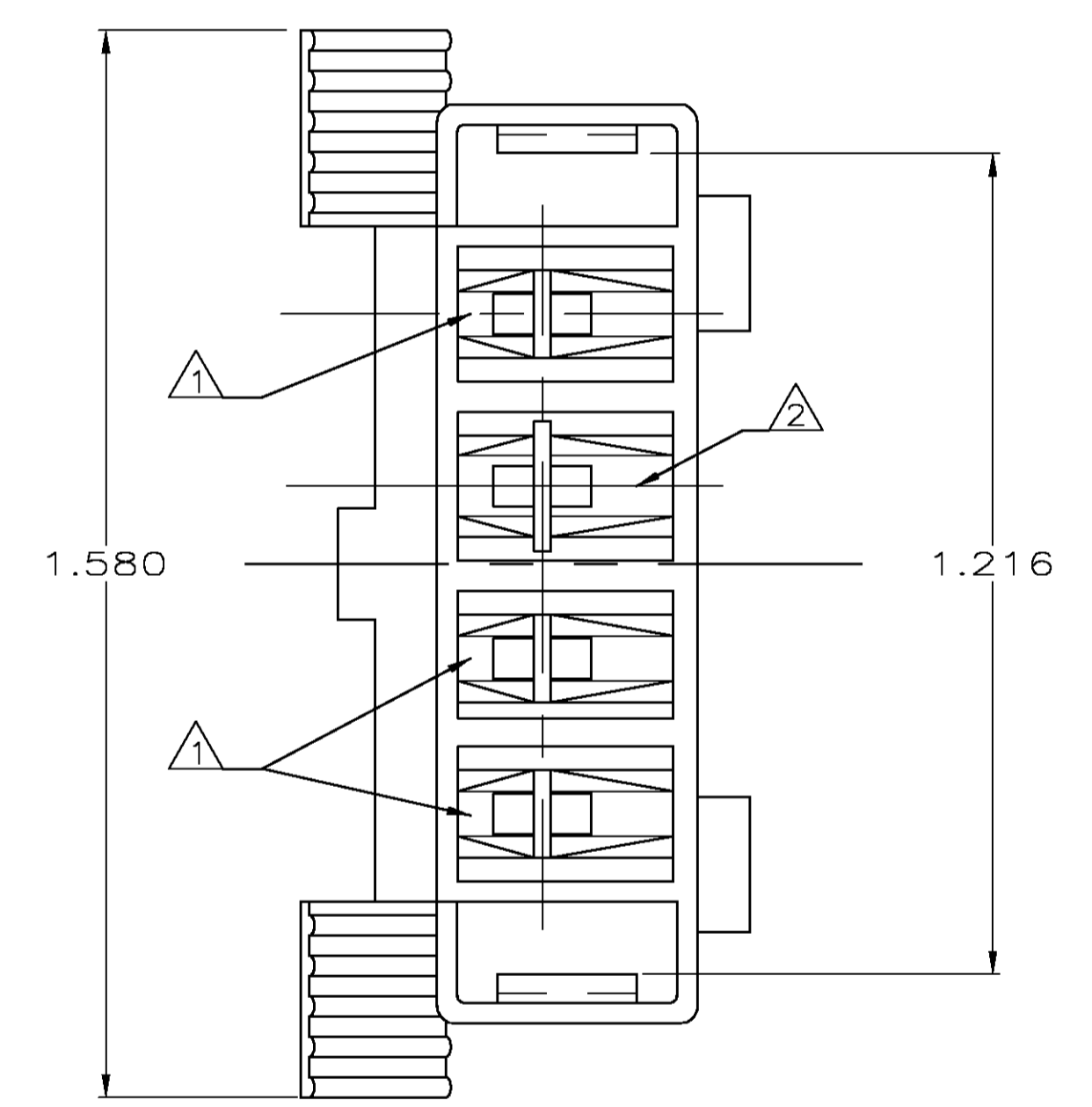
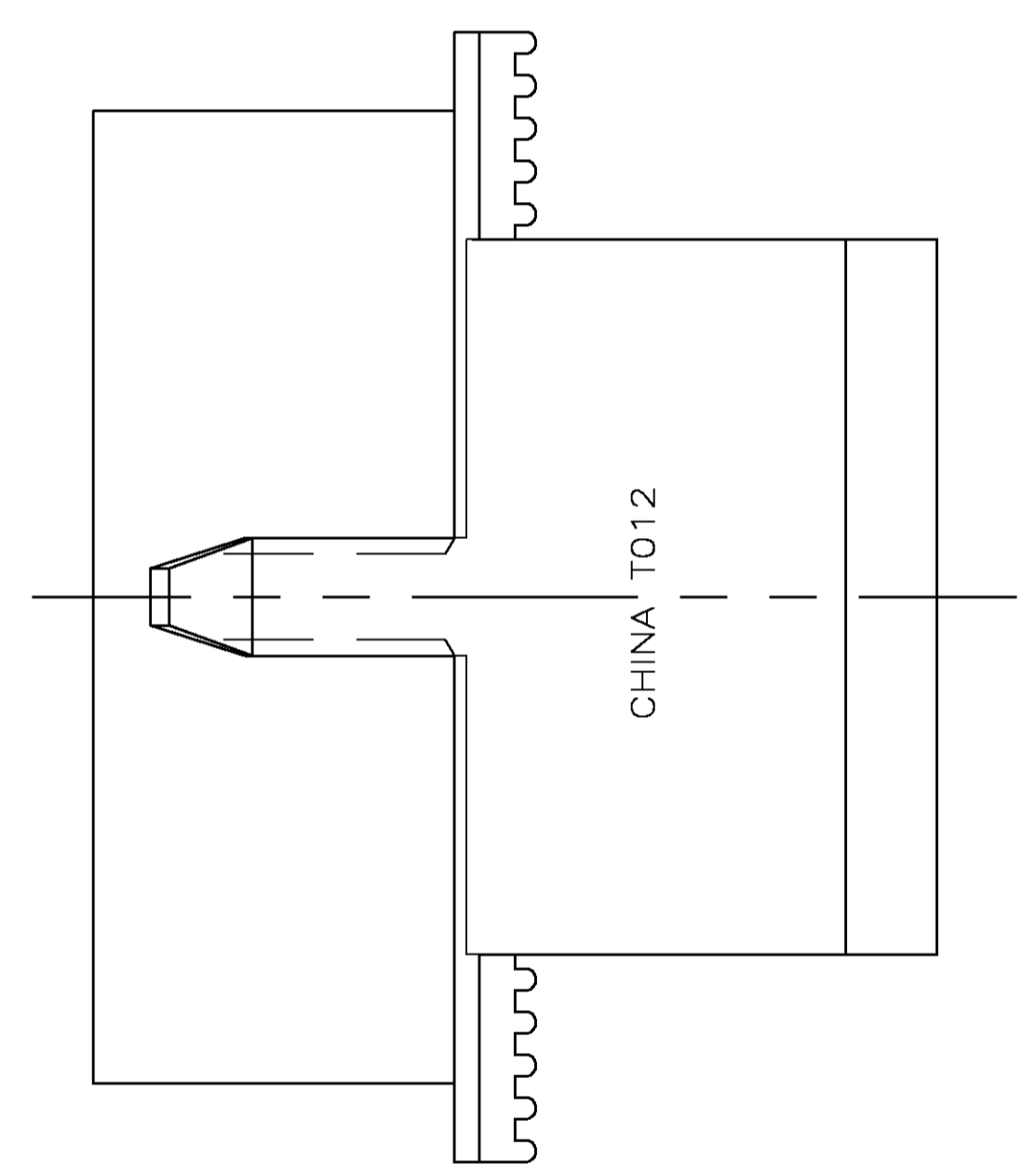
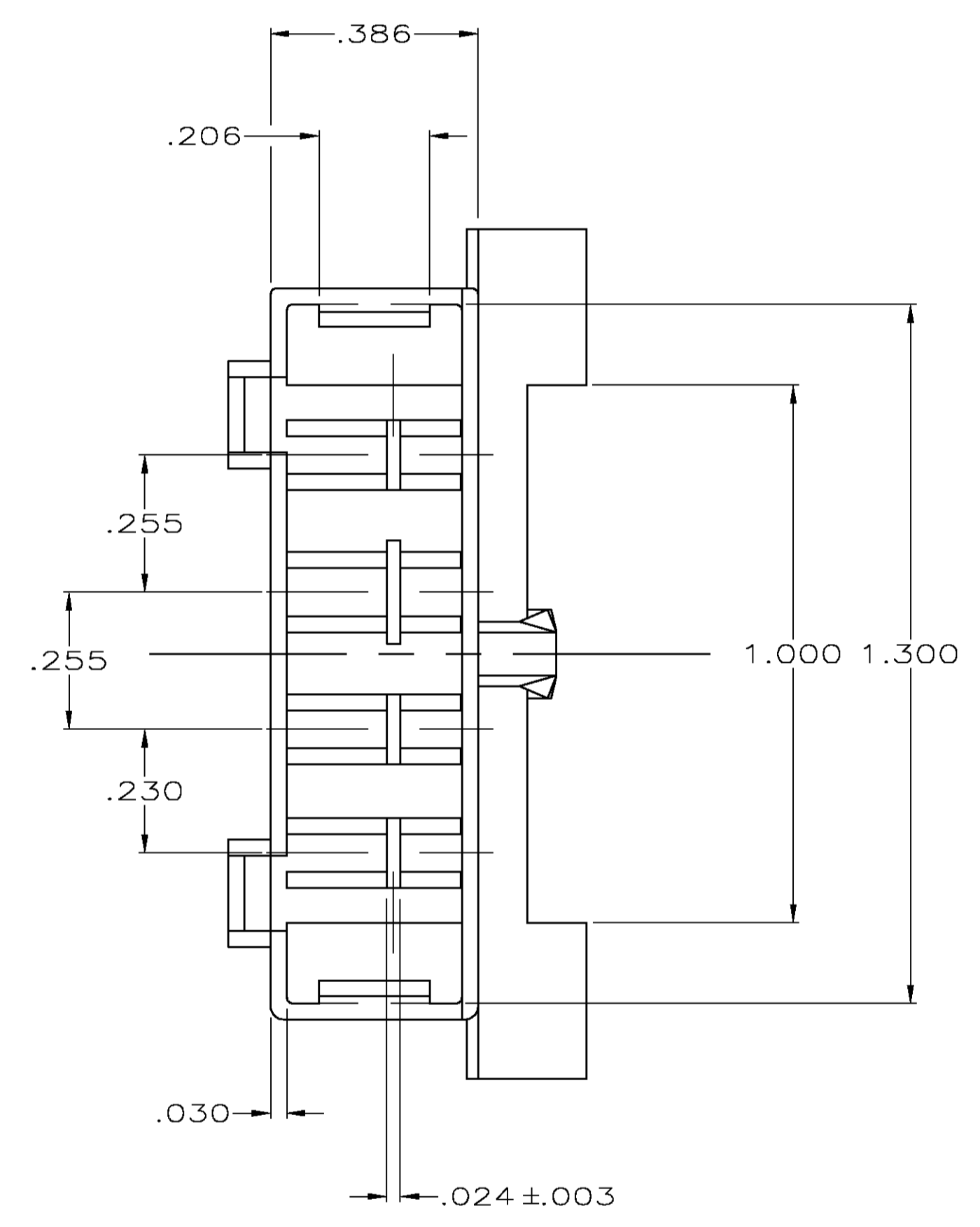
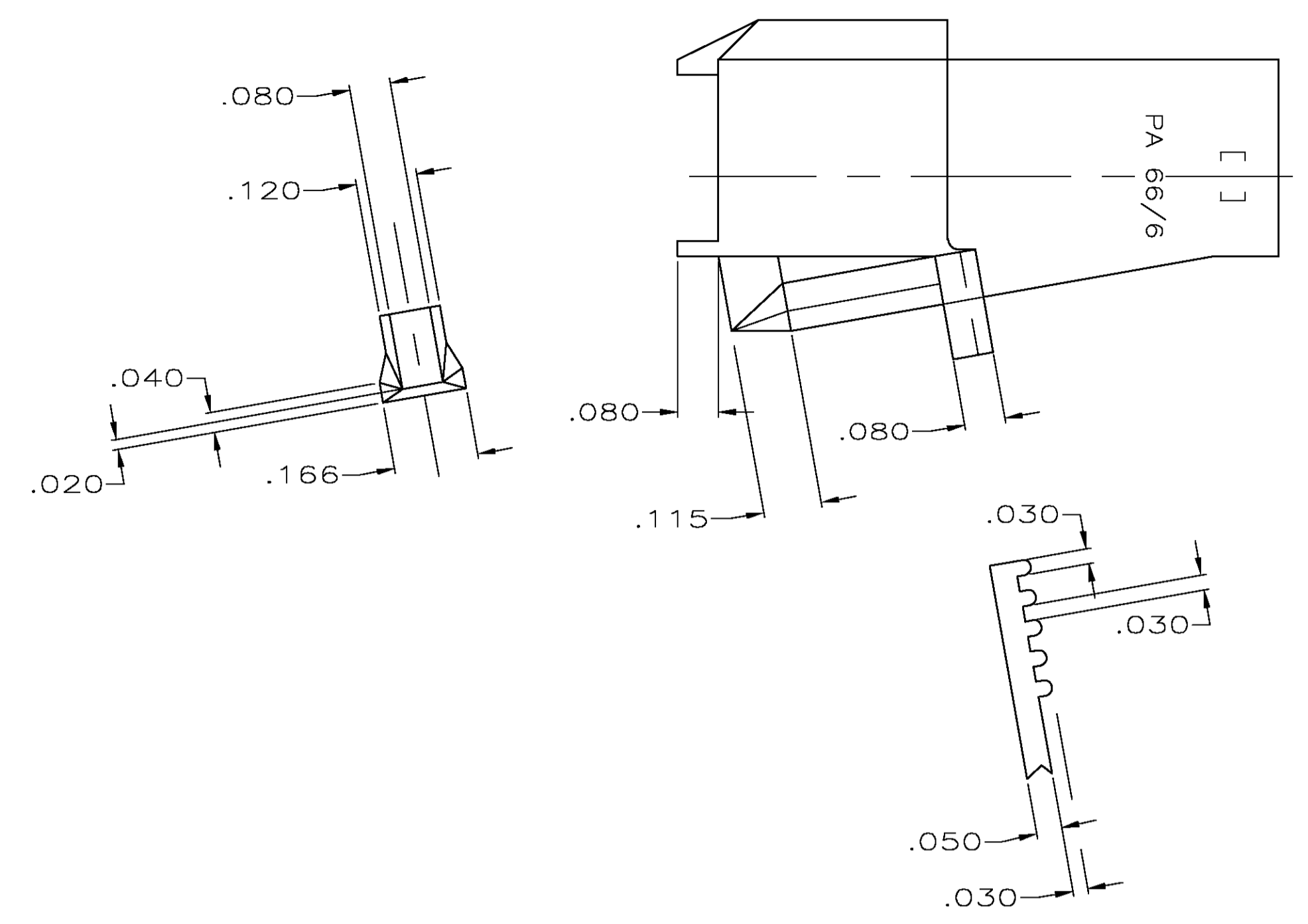


LOC		DIST		REVISIONS			
P	LR	DESCRIPTION	DATE	DRN	APVD		
G		REVISED PER 0G3A-0183-04	22MARG4	MF	DD		

- ① CAVITY ACCEPTS TIMER BLADE PART NUMBER 1217071-1.
- ② CAVITY ACCEPTS TIMER BLADE PART NUMBER 1217716-1.
- 3 PART MATES WITH PLUG HOUSING PART NUMBER 521434-1.
- ④ THIS MATERIAL HAS A '110 C' ELECTRICAL TEMPERATURE INDEX RATING BY U.L. AND A 94V-0 FLAMMABILITY RATING.



521429-1  
PART NUMBER

THIS DRAWING IS A CONTROLLED DOCUMENT.		DWN MICHAEL S. FEHNER 28SEP2001	Tyco Electronics Corporation Harrisburg, Pa 17105-3608
DIMENSIONS: INCHES		CHK DONALD DECKER 28SEP2001	
TOLERANCES UNLESS OTHERWISE SPECIFIED:		APVD DONALD DECKER 28SEP2001	NAME
0 PLC ± - 1 PLC ± - 2 PLC ± - 3 PLC ± .010 4 PLC ± ± - ANGLES ± ± -		PRODUCT SPEC	CAP, 4 CIRCUIT, .125 AND .187 BLADE
MATERIAL 66/6 NYLON		FINISH COLOR : WHITE	RESTRICTED TO
		SIZE A1	CAGE CODE 00779
CUSTOMER DRAWING		SCALE 4:1	SHEET 1 OF 1
		WEIGHT	REV G
		DRAWING NO C=521429	