



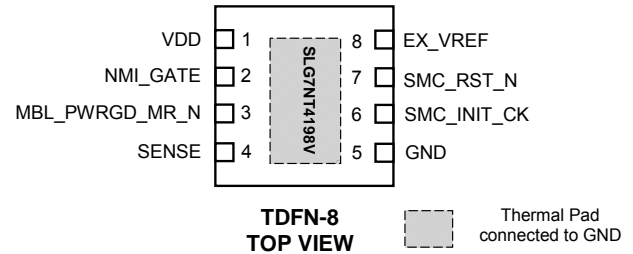
General Description

Silego SLG7NT4198V is a low power and small form device. The SoC is housed in a 2mm x 2mm TDFN package which is optimal for using with small devices.

Features

- Low Power Consumption
- 3.3V Supply
- Pb-Free / RoHS Compliant
- Halogen-Free
- TDFN-8 Package

Pin Configuration



Output Summary

- 1 Output – Push Pull
- 1 Output – Open Drain



Pin Configuration

Pin #	Pin Name	Type	Pin Description
1	VDD	Power	3.3V Supply Voltage
2	NMI_GATE	Input	Digital Input
3	MBL_PWRGD_MR_N	Input	Digital Input
4	SENSE	Input	Analog input
5	GND	GND	Ground
6	SMC_INIT_CK	Output	Push Pull
7	SMC_RST_N	Output	Open Drain
8	EX_VREF	Input	Analog input
Exposed Bottom Pad	GND	GND	Ground

Ordering Options & Configuration

Part Number	Package Type
SLG7NT4198V	V = TDFN-8
SLG7NT4198VTR	VTR = TDFN-8 – Tape and Reel (3k units)



Absolute Maximum Ratings

Parameter	Min.	Max.	Unit
V _{DD} to GND	-0.3	4.6	V
Voltage at input pins	-0.3	4.6	V
Current at input pin	-1.0	1.0	mA
Storage temperature range	-65	150	°C
Junction temperature	--	150	°C

Electrical Characteristics

Symbol	Parameter	Condition / Note	Min	Typ	Max	Unit
V _{DD}	Supply Voltage		3.0	3.3	3.6	V
I _Q	Quiescent Current	Static Inputs and Outputs	--	30	--	μA
T _A	Operating temperature		-40	25	85	°C
V _{AIR}	Analog Input Voltage Range	for PIN8	0	--	1.5	V
V _{IH}	HIGH-Level Input Voltage	Logic Input	1.8	--	--	V
V _{IL}	LOW-Level Input Voltage	Logic Input	--	--	0.8	V
I _{IH}	HIGH-Level Input Leakage Current	Logic Input Pins; VIN=3.3V	-1.0	--	1.0	μA
I _{IL}	LOW-Level Input Leakage Current	Logic Input Pins; VIN=0V	-1.0	--	1.0	μA
V _{OH}	HIGH-Level Output Voltage	Push Pull Logic Level Outputs	2.4	--	--	V
V _{OL}	LOW-Level Output Voltage	Push Pull Logic Level Outputs	--	--	0.4	V
V _{OL}	LOW-Level Output Voltage	Open Drain Logic Level Outputs	--	--	0.4	V
I _{OH}	HIGH-Level Output Current	Push Pull	--	8	--	mA
I _{OL}	LOW-Level Output Current	Push Pull	--	-8	--	mA
I _{OL}	LOW-Level Output Current	Open Drain	--	20	--	mA
V _{OFFSET}	Analog Comparator Offset Voltage	Analog Comparator 0	--	±20	--	mV
V _{HYST}	Analog Comparator hysteresis	Analog Comparator 0	--	50	--	mV
R _{PULL UP}	Internal Pull Up Resistance	Pull up on PIN3	80	100	120	kΩ
T _{DLY0}	Delay0 Time		16	20	24	ms
T _{DLY2}	Delay2 Time		1.6	2	2.4	ms
T _{StUp}	Start Up Time	After VDD > 2.4V	--	7	--	ms

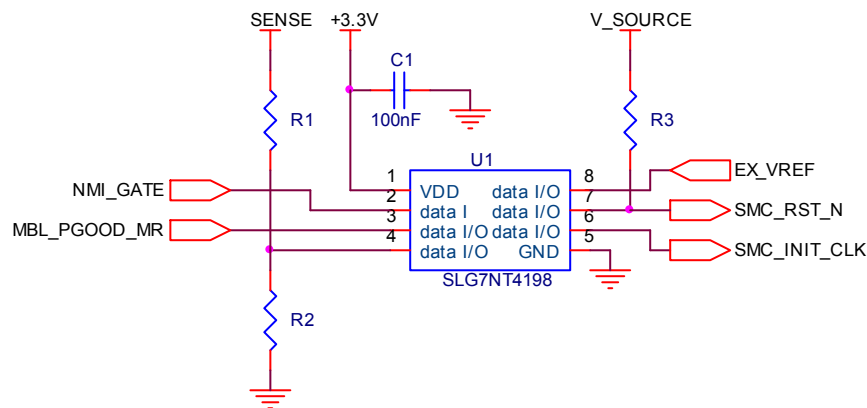


1 Hz Interrupt Generator

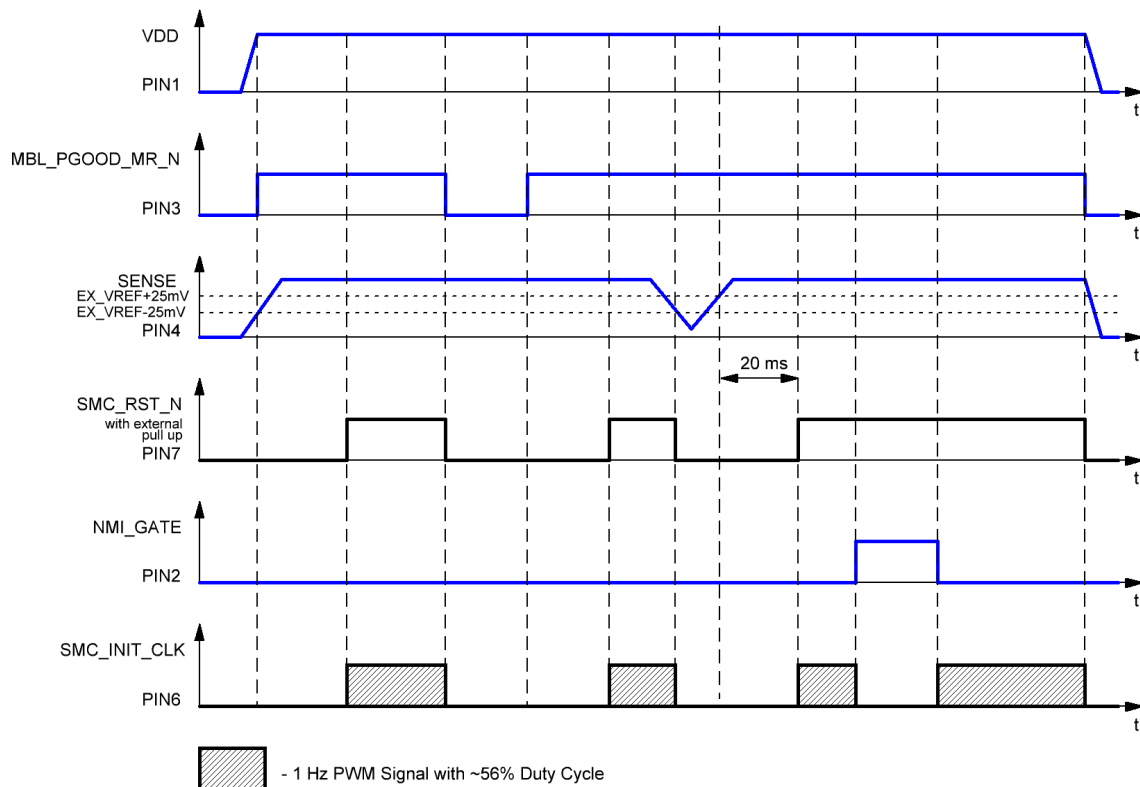
Description

This is a special oscillator with supervisor system. Three inputs are used to control the oscillator. SENSE (PIN4) controls the voltage supply of the chip. If supply voltage decreases down to the threshold set by EX_VREF (PIN8), the chip disables the oscillator and sets SMC_INICK to LOW. When the voltage is bigger than threshold set by EX_VREF is detected on the SENSE pin, SMC_RST_N (PIN7) is set to HIGH with 20 ms delay and enables the oscillator. MBL_PWRGD_MR_N (PIN3) is used for manual reset of SMC_RST_N. Use NMI_GATE (NMI_GATE) to disable the oscillator.

Typical Application Circuit

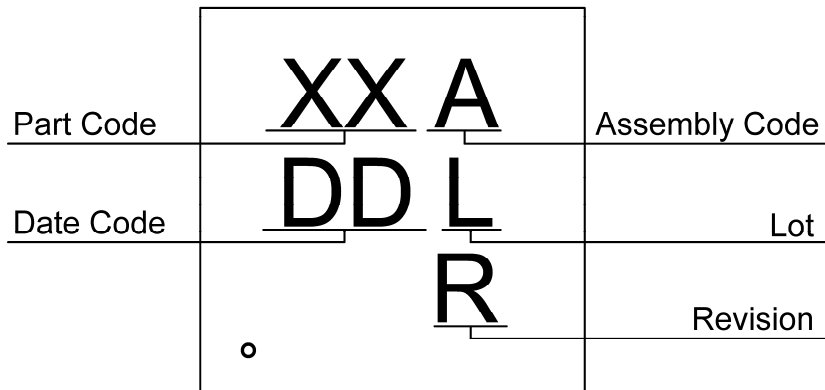


Timing Diagrams





Package Top Marking



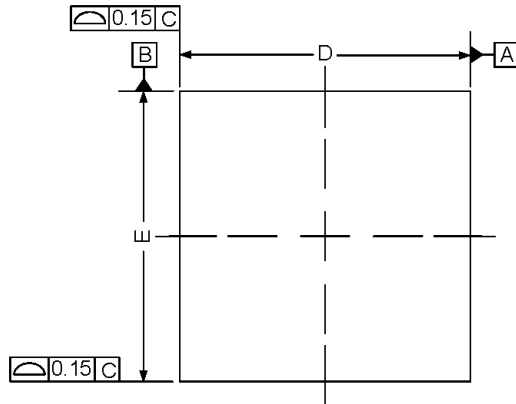
- XX – Part Code Field: identifies the specific device configuration
- A – Assembly Code Field: Assembly Location of the device.
- DD – Date Code Field: Coded date of manufacture
- L – Lot Code: Designates Lot #
- R – Revision Code: Device Revision

Datasheet Revision	Programming Code Number	Part Code	Revision	Date
1.0	03	ZR	B	03/04/2014

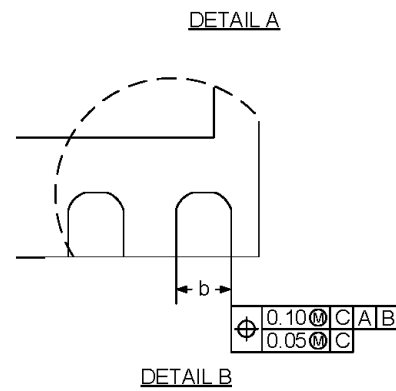
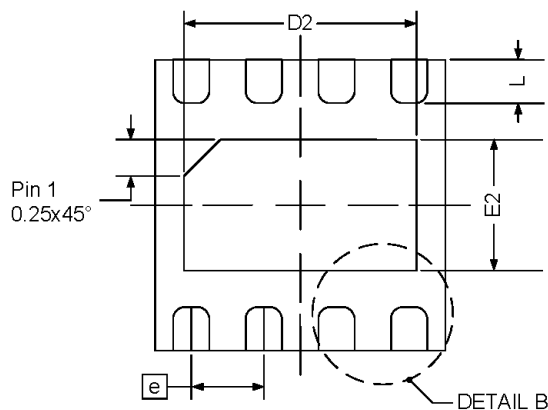
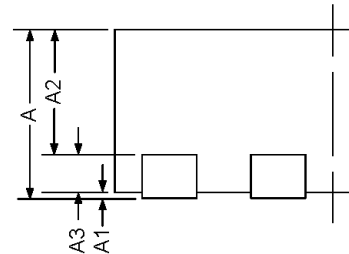
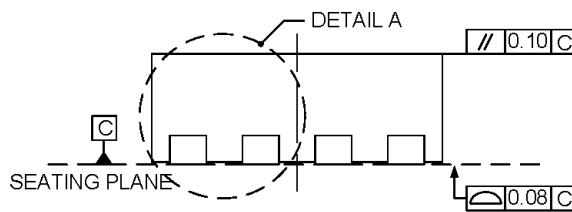


Package Drawing and Dimensions

TDFN-8 Package



Symbol	Min (mm)	NOM (mm)	Max (mm)
A	0.70	0.75	0.80
A1	0.00	--	0.05
A2	--	0.55	--
A3	--	0.20	--
b	0.20	0.25	0.30
D	1.90	2.00	2.10
D2	1.50	1.60	1.70
E	1.90	2.00	2.10
E2	0.80	0.90	1.00
e	0.50 BSC		
L	0.20	0.30	0.40



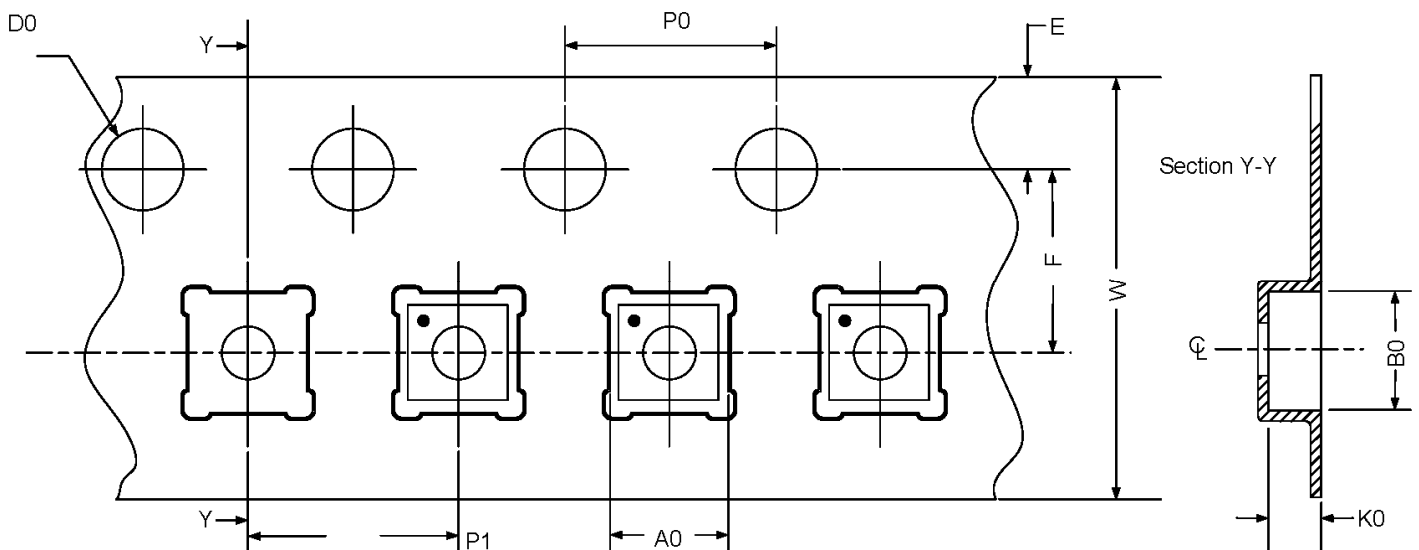


Tape and Reel Specification

Package Type	# of Pins	Nominal Package Size (mm)	Max Units		Reel & Hub Size (mm)	Trailer A		Leader B		Pocket (mm)	
			per reel	per box		Pockets	Length (mm)	Pockets	Length (mm)	Width	Pitch
TDFN 8L 2x2mm Green	8	2x2x0.75	3000	3000	178/60	42	168	42	168	8	4

Carrier Tape Drawing and Dimensions

Package Type	Pocket BTM Length (mm)	Pocket BTM Width (mm)	Pocket Depth (mm)	Index Hole Pitch (mm)	Pocket Pitch (mm)	Index Hole Diameter (mm)	Index Hole to Tape Edge (mm)	Index Hole to Pocket Center (mm)	Tape Width (mm)
	A0	B0	K0	P0	P1	D0	E	F	W
TDFN 8L 2x2mm Green	2.3	2.3	1.05	4	4	1.55	1.75	3.5	8



Recommended Reflow Soldering Profile

Please see IPC/JEDEC J-STD-020: latest revision for reflow profile based on package volume of 4.6875 mm³ (nominal). More information can be found at www.jedec.org.



Datasheet Revision History

Date	Version	Change
05/29/2013	0.1	New Design
07/09/2013	0.12	Jump to 0.12 version. Changed PWM frequency to 1Hz
07/09/2013	0.13	Updated Device Revision Table
07/11/2013	0.14	Changed PIN7 configuration to Open Drain
08/07/2013	0.15	Updated Device Revision Table
03/04/2014	1.0	Production Release



Silego Website & Support

Silego Technology Website

Silego Technology provides online support via our website at <http://www.silego.com/>. This website is used as a means to make files and information easily available to customers.

For more information regarding Silego Green products, please visit:

<http://greenpak.silego.com/>
<http://greenpak2.silego.com/>
<http://greenfet.silego.com/>
<http://greenfet2.silego.com/>
<http://greenclk.silego.com/>

Products are also available for purchase directly from Silego at the Silego Online Store at <http://store.silego.com/>.

Silego Technical Support

Datasheets and errata, application notes and example designs, user guides, and hardware support documents and the latest software releases are available at the Silego website or can be requested directly at info@silego.com.

For specific GreenPAK design or applications questions and support please send email requests to GreenPAK@silego.com

Users of Silego products can receive assistance through several channels:

Contact Your Local Sales Representative

Customers can contact their local sales representative or field application engineer (FAE) for support. Local sales offices are also available to help customers. More information regarding your local representative is available at the Silego website or send a request to info@silego.com

Contact Silego Directly

Silego can be contacted directly via e-mail at info@silego.com or user submission form, located at the following URL: <http://support.silego.com/>

Other Information

The latest Silego Technology press releases, listing of seminars and events, listings of world wide Silego Technology offices and representatives are all available at <http://www.silego.com/>

THIS PRODUCT HAS BEEN DESIGNED AND QUALIFIED FOR THE CONSUMER MARKET. APPLICATIONS OR USES AS CRITICAL COMPONENTS IN LIFE SUPPORT DEVICES OR SYSTEMS ARE NOT AUTHORIZED. SILEGO TECHNOLOGY DOES NOT ASSUME ANY LIABILITY ARISING OUT OF SUCH APPLICATIONS OR USES OF ITS PRODUCTS. SILEGO TECHNOLOGY RESERVES THE RIGHT TO IMPROVE PRODUCT DESIGN, FUNCTIONS AND RELIABILITY WITHOUT NOTICE.