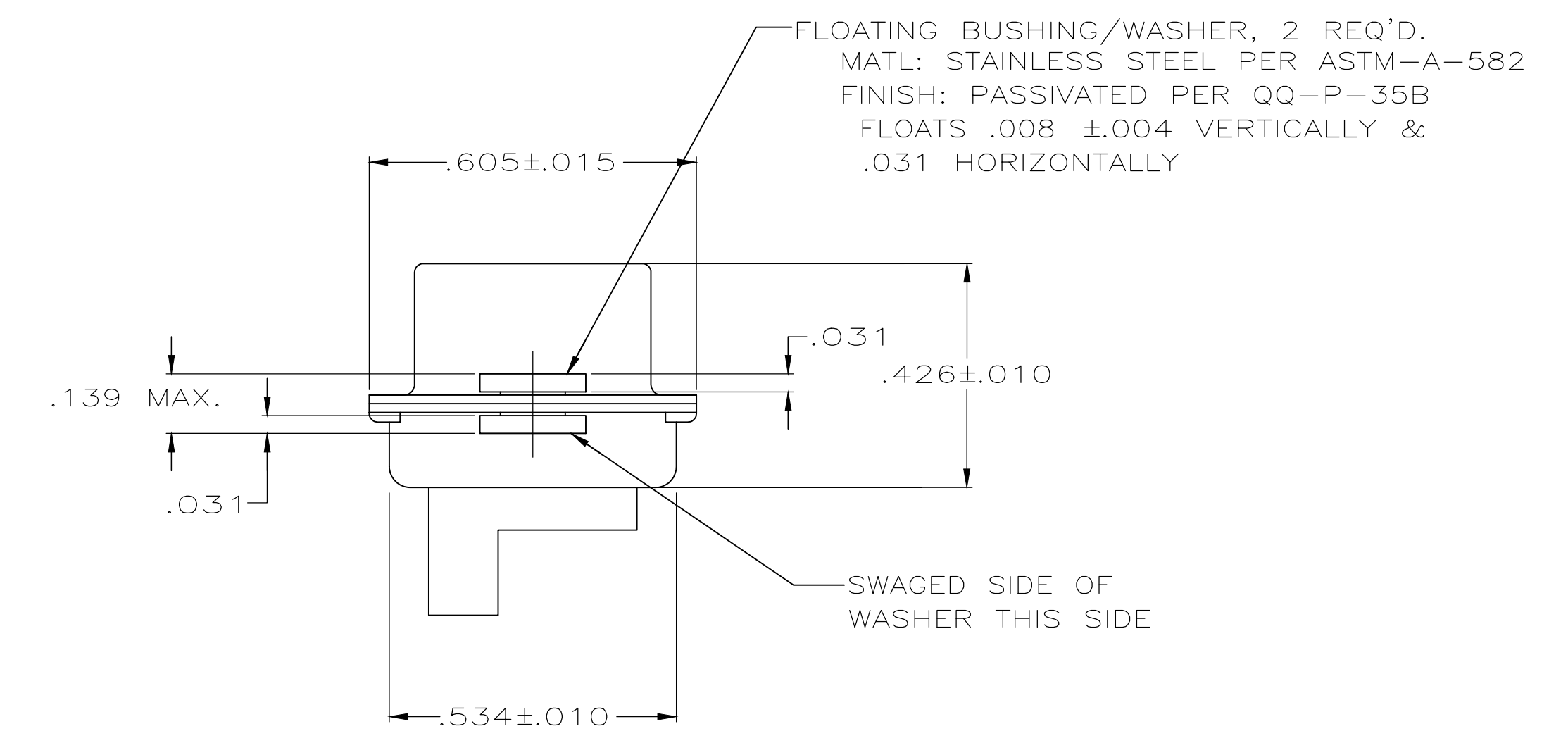
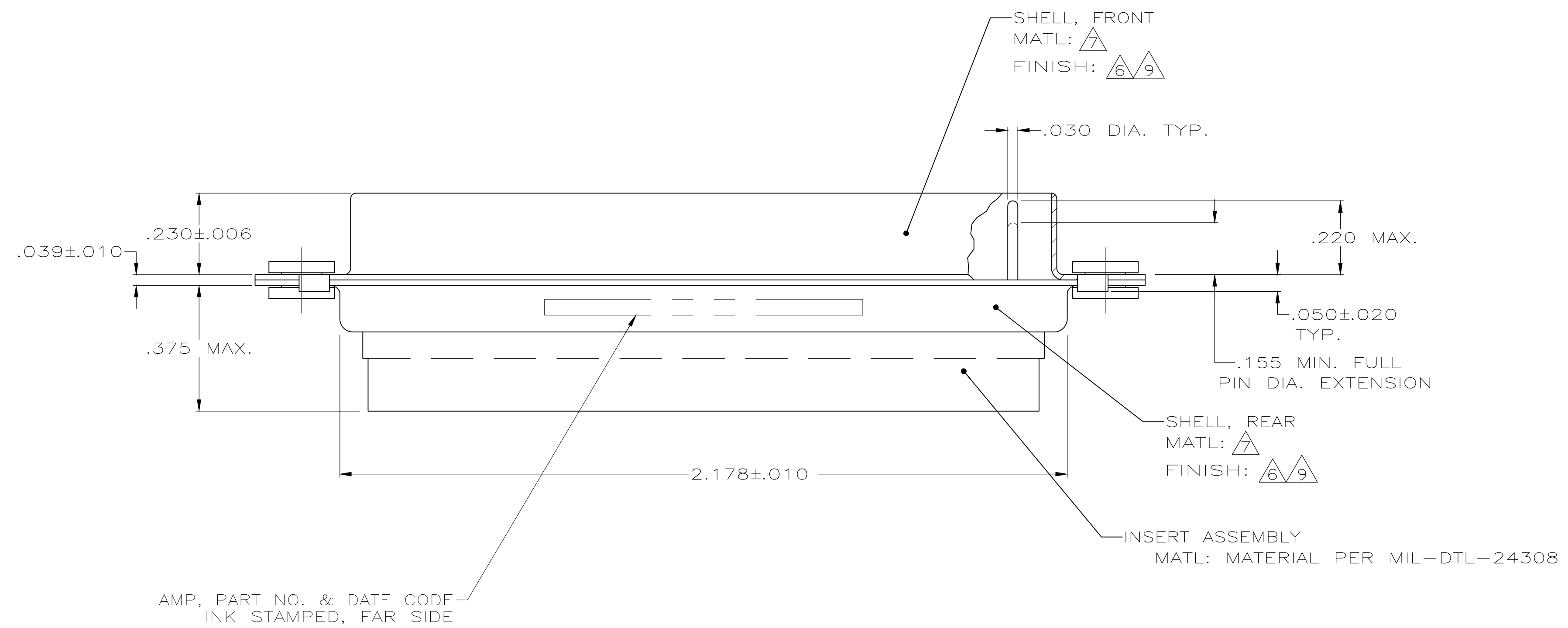


1. THIS PLUG WILL MATE WITH ANY 24C7, SIZE 5 RECEPTACLE IN AMPLIMITE SERIES.
 2. MAXIMUM WIRE INSULATION TO BE USED WITH THIS PLUG IS .068 DIA.
 3. THIS CONNECTOR ACCEPTS 7 POWER 8 COAX SOCKET CONTACTS IN POSITIONS A1 THRU A7, PURCHASED SEPARATELY.
 4. THIS CONNECTOR ACCEPTS SIZE 20 PIN SIGNAL CONTACTS IN POSITIONS 1 THRU 17.
 5. INSERTION/EXTRACTION TOOL USED FOR SIZE 20 PIN SIGNAL CONTACTS IS 91067-2.
- 6 FINISH: CADMIUM PLATED PER QQ-P-416
 7 STEEL PER ASTM-A-109.
 8 UL/CSA DESIGNATION STAMPED IN THIS AREA.
 9 FINISH: ZINC PLATE PER ASTM-B-633 .000200-.000400 THK WITH SUPPLEMENTARY CHROMATE (Cr3+).



7/9	5-449919-1
7/6	449919-1
REMARKS	PART NO

THIS DRAWING IS A CONTROLLED DOCUMENT.

DIMENSIONS: INCHES	TOLERANCES UNLESS OTHERWISE SPECIFIED:	DIN	27-May-15	MANJUNATH G.M.
0 PLC ± -	1 PLC ± -	CHK	27-May-15	CHARLES THOMAS
2 PLC ± -	3 PLC ± .005	APVD	27-May-15	CHARLES THOMAS
4 PLC ± -	ANGLES ± -	NAME		CHARLES THOMAS
MATERIAL	FINISH	PRODUCT SPEC		
		APPLICATION SPEC		
		SIZE	CAGE CODE	DRAWING NO
		WEIGHT	A1	00779
		CUSTOMER DRAWING	SCALE	4:1
		SHEET	1	OF 1
		REV		

STE TE Connectivity
 PLUG ASSEMBLY, AMPLIMITE, 24C7, SIZE 5, SERIES 109, W/ FLOAT BUSHINGS
 RESTRICTED TO