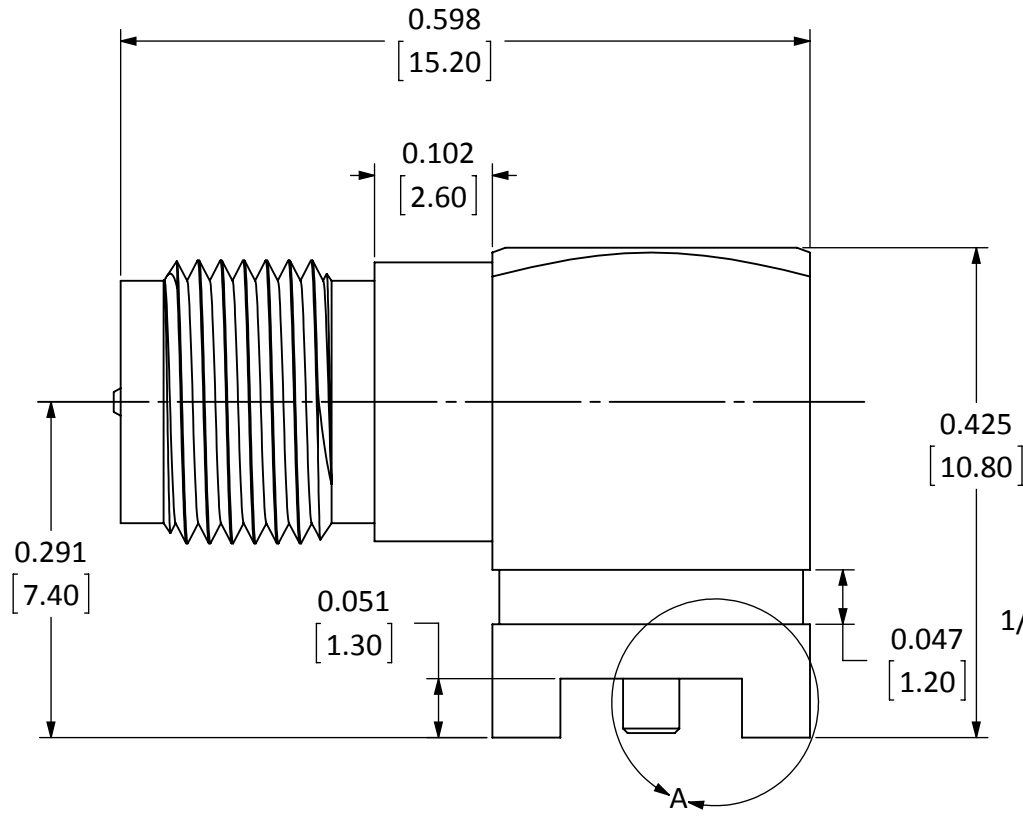
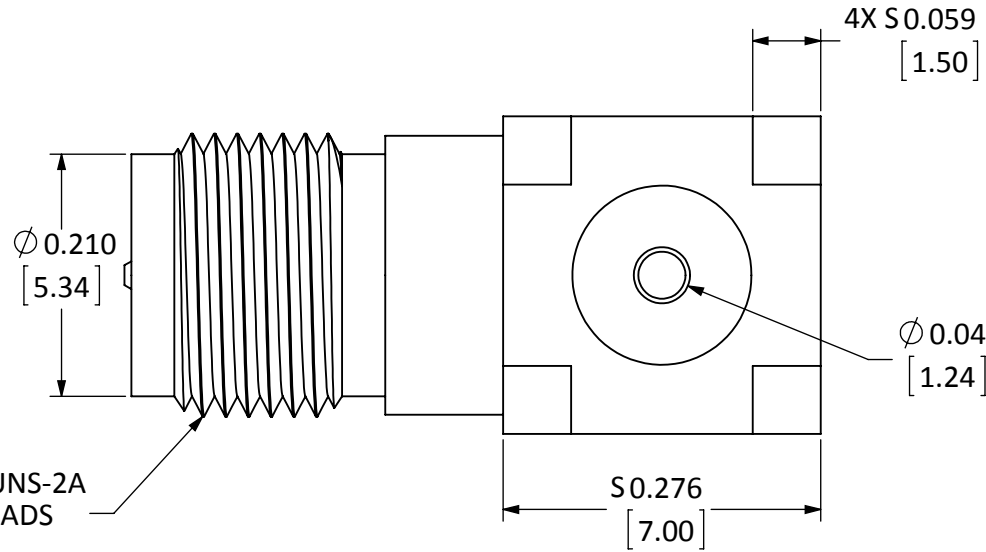


DESCRIPTION	MATERIAL	FINISH
BODY	BRASS	NICKEL
PIN	BeCu	GOLD
INSULATION	PTFE	N/A

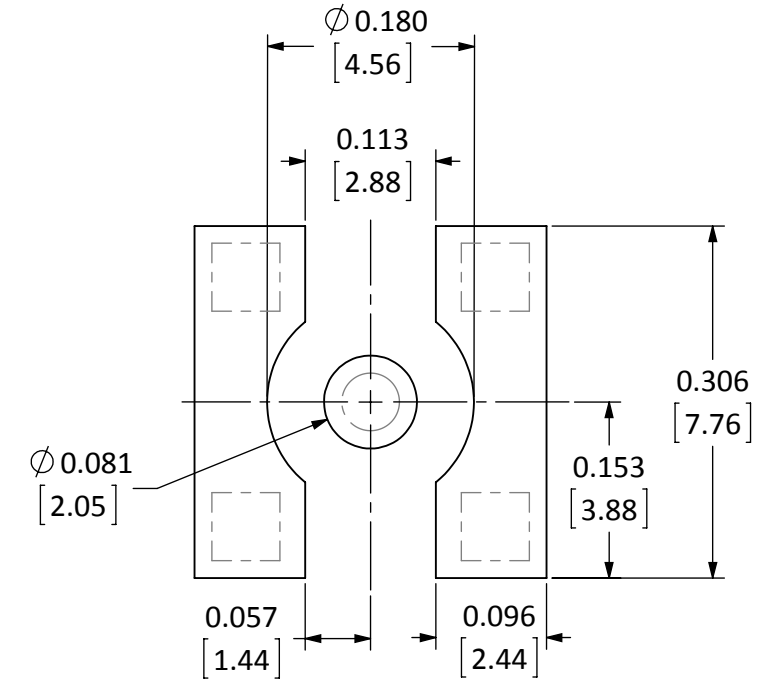
REVISIONS			
REV	DESCRIPTION	DATE	APPV
B	ADDED NEW TITLE BLOCK; UPDATED FOOTPRINT	25-APR-12	SAH
C	UPDATED MATERIALS; UPDATED THREADS FROM 2B TO 2A	10-JUL-12	SAH
D	ADDED PIN TO PCB DIMENSION	17-OCT-12	SAH
E	ADDED CONTACT TO STANDOFF DIMENSION; UPDATED NOTE 3; UPDATED VARIOUS DIMENSIONS	3-MAY-16	SAH



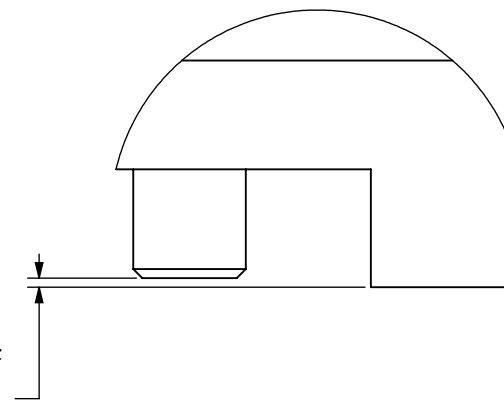
SIDE VIEW



BOTTOM VIEW



RECOMMENDED FOOTPRINT



DETAIL A
SCALE 12 : 1

NOTES: (UNLESS OTHERWISE SPECIFIED)

1. ALL DIMENSIONS ARE IN INCHES [mm].
2. DIMENSIONS APPLY AFTER FINISHING.
3. MANUFACTURE TO BE COMPLIANT WITH EU RoHS DIRECTIVE, USE MATERIALS THAT DO NOT CONTAIN REACH SUBSTANCES OF VERY HIGH CONCERN >1000ppm, AND USE DRC CONFLICT-FREE SOURCED MATERIALS.
4. SAFETY BREAK ALL SHARP CORNERS AND EDGES .02 MAXIMUM.

WARNING: THIS DRAWING CONTAINS PROPRIETARY INFORMATION THAT IS THE SOLE PROPERTY OF LINX TECHNOLOGIES, AND SHALL BE TREATED AS SUCH. NO DISCLOSURE OR REPRODUCTION OF THIS DOCUMENT IS PERMITTED, IN WHOLE OR IN PART, WITHOUT THE EXPRESS WRITTEN PERMISSION OF LINX TECHNOLOGIES OR ITS DESIGNATED AGENTS.

Linx

159 ORT LANE
MERLIN, OR 97532

TITLE:
**RP-SMA FEMALE RIGHT
ANGLE SURFACE MOUNT**

MATERIAL:	INTERPRET DIMENSIONS AND TOLERANCES PER ASME Y14.5.	PROJECTION:
FINISH:	SURFACE FINISH: $\sqrt{}$ ANGLES: $\pm 1^\circ$	
	TOLERANCES: .X $\pm .1$.XX $\pm .01$.XXX $\pm .005$	
	DRAWN: B.MURPHY DT: 25-APR-12	
	ENGR: S.HOGAN DT: 25-APR-12	

SIZE	DWG. NO.	REV
B	CONREVSMA002-SMD	E
SCALE: 6:1	DO NOT SCALE DRAWING	SHEET 1 OF 1