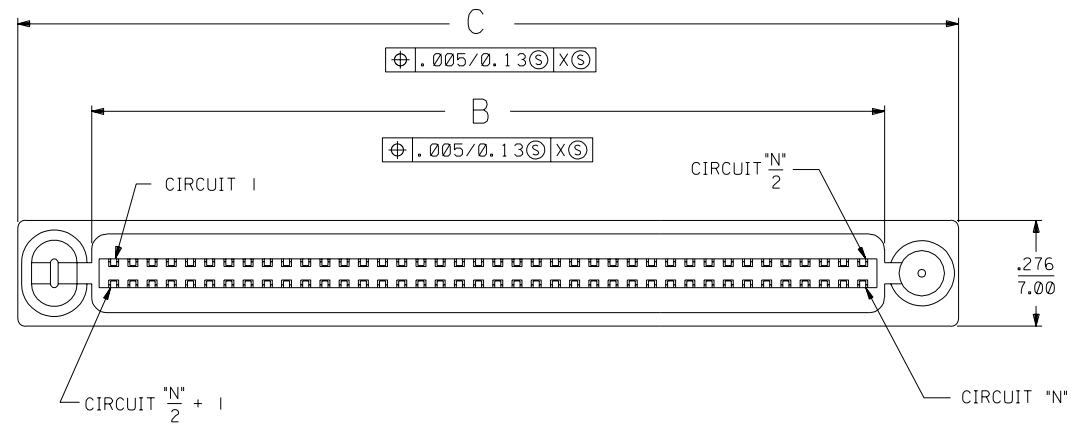


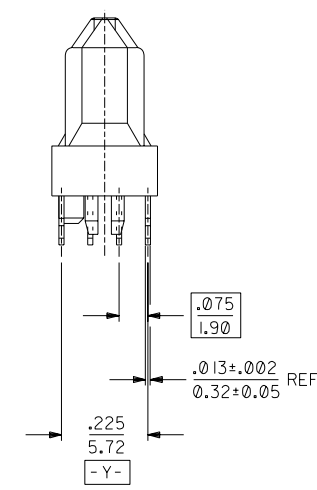
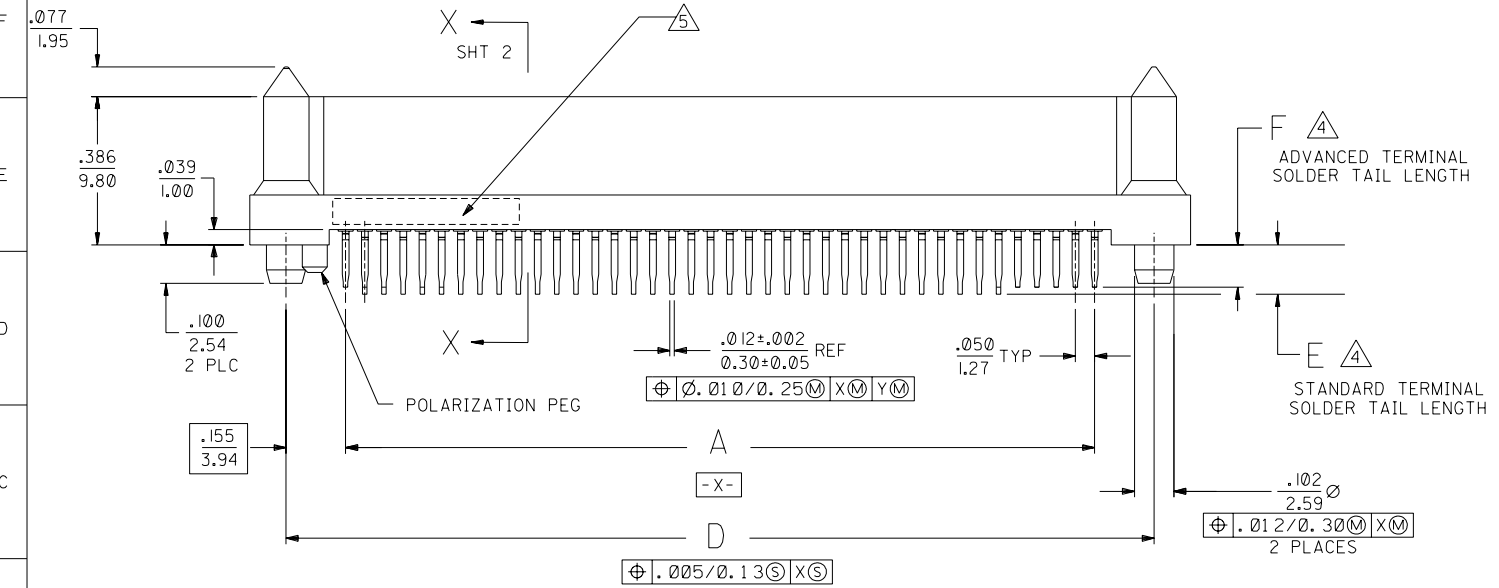
**NOTES:**

- 1) MATERIALS:  
HOUSING- LCP, GLASS FILLED, UL94V-0, BLACK.  
TERMINALS- COPPER ALLOY
- 2) FINISH:  
TERMINALS:  
.000030/(0.00076) MINIMUM GOLD IN CONTACT AREA AND  
.000050/(0.00127) MINIMUM TIN IN TAIL AREA OVER  
.000075/(0.00191) MINIMUM NICKEL UNDERPLATING OVERALL.
- 3) ASSEMBLY MATES WITH MOLEX P/N SDA-71661-7\*\*\*.  
CONFORMS TO PRODUCT SPECIFICATION PS-71660.
- 4) SEE TABLE ON SHEET 2 FOR ADVANCED TERMINAL LIST
- 5) FOUR DIGIT DATE CODE (WK YR), EXAMPLE => 26 96  
LOCATED IN AREA INDICATED.



**NOTE FOR LEAD FREE CONVERSION:**

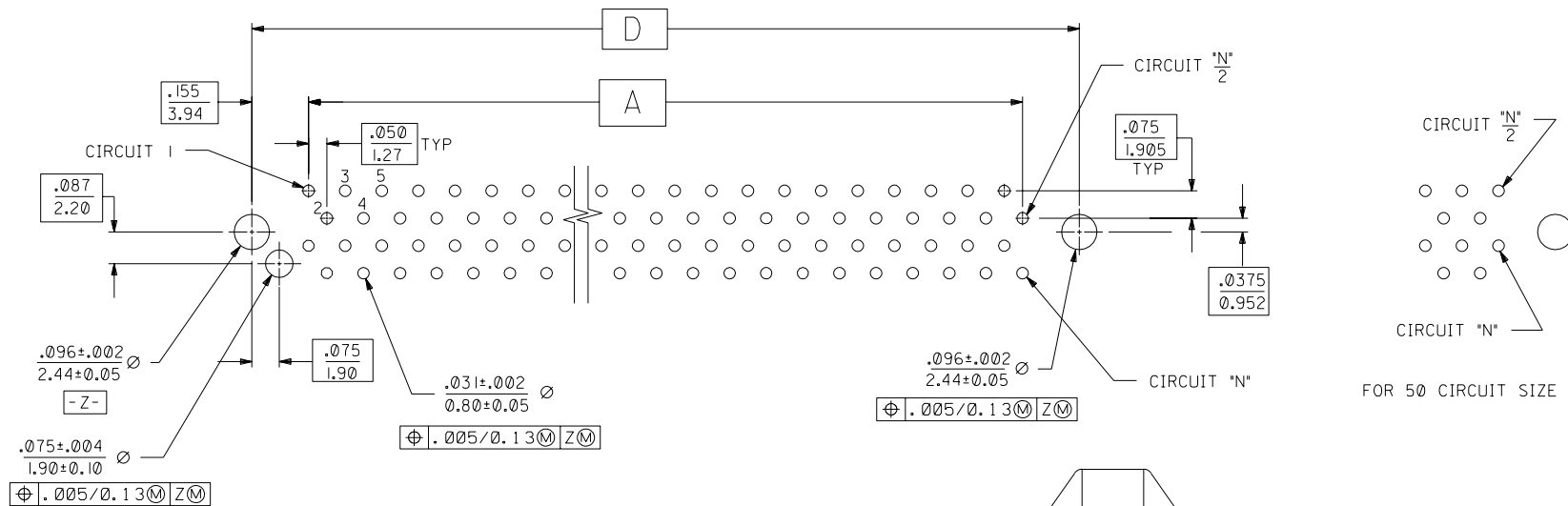
THE PRIMARY SHIPPING CARTON WILL BE LABELED "COMPLIANT TO ROHS DIRECTIVE 2002/95/EC AND ELV ANNEX II OF DIRECTIVE 2000/53/EC". CARTONS WITHOUT THIS LABEL MAY CONTAIN PRODUCT WITH LEAD.



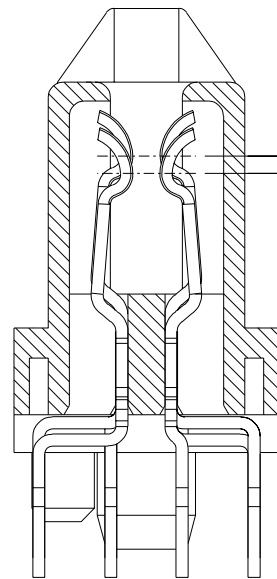
2	A	A	INITIAL RELEASE
1	A	A	ECR UCP2005-0071
			RKADAMS 04/7/11

DIMENSIONS SHOWN (METRIC) INCH		UNLESS OTHERWISE SPECIFIED TOLERANCES: ANGULAR ± 1/2°		REVISIONS	
3 PLACE	± .005	INCH	METRIC	REVISE ONLY ON CAD SYSTEM	
2 PLACE	± --- ± 0.13				
1 PLACE	--- ± ---				
DRAFT WHERE APPLICABLE MUST REMAIN WITHIN DIMENSIONS				TITLE	
				SALES ASSY, EBBI 50D, VERTICAL, BLIND MATE RCPT W/ ADVANCED TERMINALS	
				MOLEX INCORPORATED	
				SHEET NO. DATE	
				1 OF 2 04/07/11	
				PART NO. DRWG. NO.	
				SEE TABLE SD-71660-005	
DRWG. BY	RKA	CHK'D. BY	BB	FILE NAME	SD71660T5X
APP'D. BY	SM	SCALE	4:1	THIS DRAWING CONTAINS INFORMATION THAT IS PROPRIETARY TO MOLEX INC. AND SHOULD NOT BE USED WITHOUT WRITTEN PERMISSION	

13	12	11	10	9	8	7	6	71660	4	3	2	1
ITEM NUMBER	CIRCUIT SIZE ("N")	A	B	C	D	E ±.010 (±0.25)	F ±.010 (±0.25)	ADVANCED CIRCUITS				
	68	1.650 (41.91)	1.765 (44.83)	2.149 (54.58)	1.960 (49.78)	.134 (3.40)	.116 (2.95)	5, 6, 39, 64, 66, 68				
	40	.950 (24.13)	1.065 (27.05)	1.449 (36.80)	1.260 (32.00)	.128 (3.25)	.110 (2.79)	1, 2, 3, 18, 19, 20				
	50	1.200 (30.48)	1.315 (33.40)	1.699 (43.15)	1.510 (38.35)	.128 (3.25)	.110 (2.79)	1, 2, 3, 23, 24, 25				
71660-7580	80	1.950 (49.53)	2.065 (52.45)	2.449 (62.20)	2.260 (57.40)	.128 (3.25)	.110 (2.79)	1, 36-43, 45, 46, 75-80				



RECOMMENDED PC BOARD LAYOUT  
COMPONENT SIDE  
FOR 40, 68 AND 80 CIRCUIT SIZES



SECTION X-X  
SCALE - 10:1  
HOUSING WALLS BETWEEN TERMINALS  
NOT SHOWN FOR CLARITY

DIMENSIONS SHOWN (METRIC) INCH		▽ = 0		▼ = 0		REVISE ONLY ON CAD SYSTEM		
UNLESS OTHERWISE SPECIFIED TOLERANCES: ANGULAR ± 1/2°								
3 PLACE	±	.010	---					
2 PLACE	±	---	± 0.25					
1 PLACE	---	±	---					
DRAFT WHERE APPLICABLE MUST REMAIN WITHIN DIMENSIONS								
DRWG. BY RKA	CHK'D. BY BB	FILE NAME SD71660SK2	PART NO. SEE SHEET 1		DRWG. NO. SD-71660-005			
APP'D. BY SM	SCALE 4:1	DATE 04/07/11	SHEET NO. 2		U.S.A.			
MOLEX INCORPORATED		LITTE, ILL.		60532				
THIS DRAWING CONTAINS INFORMATION THAT IS PROPRIETARY TO MOLEX INC. AND SHOULD NOT BE USED WITHOUT WRITTEN PERMISSION								

A	SEE SHEET 1
---	-------------

MFG.	SH.	REV.	LTR.	REVISIONS
------	-----	------	------	-----------

71660

A