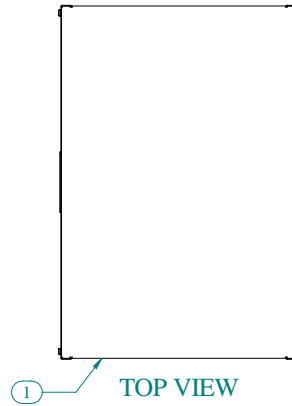
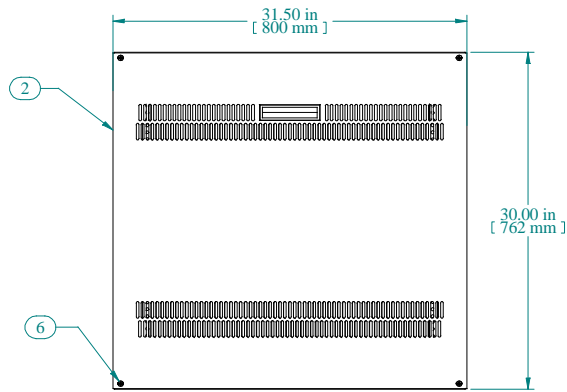


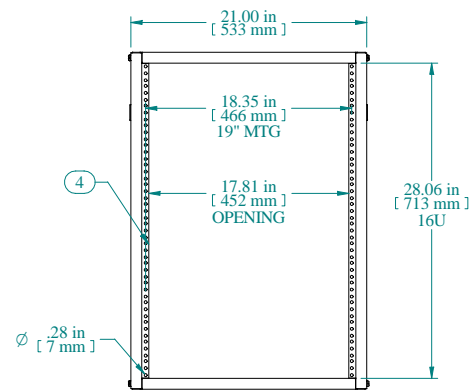
TOP PANEL REMOVED



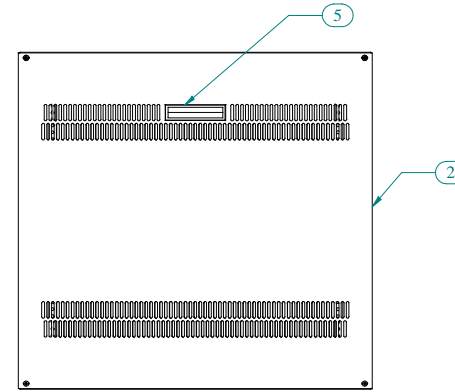
TOP VIEW



L.S. VIEW



FRONT VIEW



R.S. VIEW

Item Number	Title	Quantity
1	RCHS - TOP PANEL	1
2	RCHS K.D. - SIDE	2
3	RCHS - BOTTOM PANEL	1
4	RCHS K.D. - PUNCHED COMBO RAILS	4
5	BLACK PLASTIC HANDLE	2
6	SCRW1/4-20 X 1/2	14
7	NUT 1/4-20 KEP	14
8	SCREW 1/4-20X1/2 HEX SLOT BOLT	8
9	NUT 1/4-20 SPRING	8

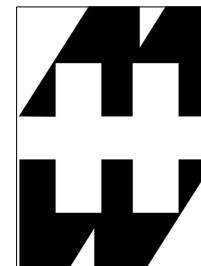
PART NUMBERS

RCHV1902831BK1	PAINTED BLACK TEXTURED
RCHV1902831LG1	PAINTED RAL7035 TEXTURED

NOTES

Shipped knockdown for handling ease & protection.

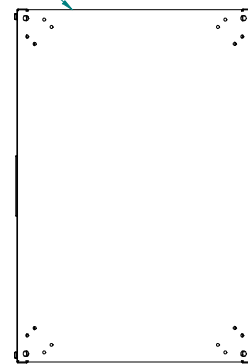
Data subject to change without notice. Isometric drawing not to scale.



**HAMMOND
MANUFACTURING™**

www.hammondmfg.com

PART NO. RCHV1902831



BOTTOM VIEW