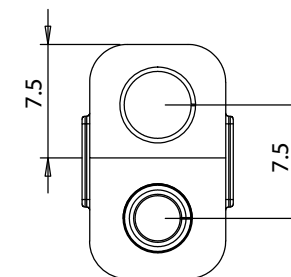
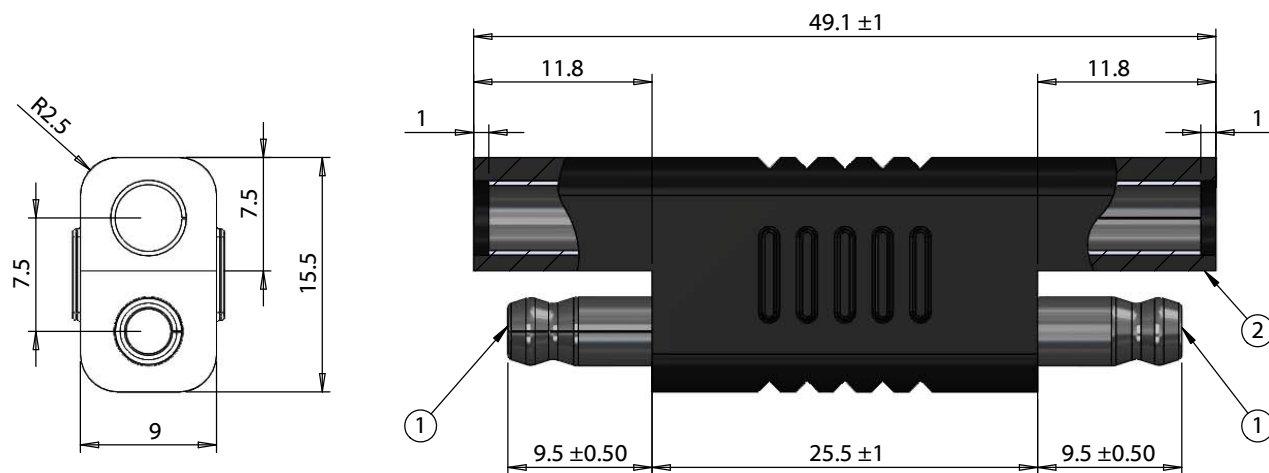
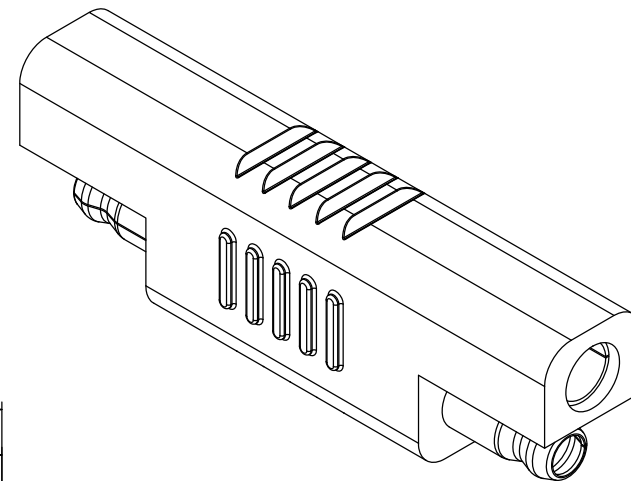


ITEM NO.	PART NUMBER	DESCRIPTION	Default/ QTY.	COMPONENT NOTES
1	50-00550	Connector, 4.75x10.2mm SAE, brass nickel plated, molding type	2	
2	24-00194	Overmold, SAE connector to SAE connector, 49 mm, polarity converter	1	black, 105° C



Wiring Diagram	
50-00550	50-00550
sleeve	sleeve
pin	pin

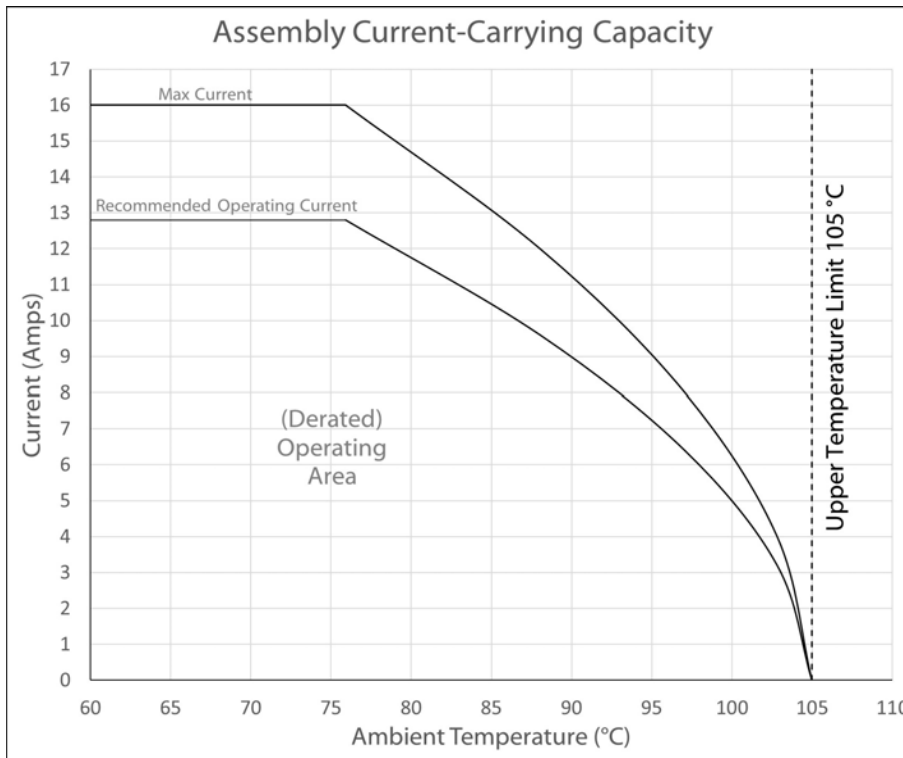
**Notes:**  
Functionally equivalent components may be substituted

Revision:	Date:	Description:	Prepared:	Notes: RoHS and REACH compliant	<h1>TENSILITY</h1> <p>tel 1.541.323.3228 800 877.670.7118 fax 1.541.323.4202 web tensility.com</p>
A	1/6/2017	Initial release	Verified:		
			Dimensions are in millimeters. Tolerances: X: $\pm 0.5$ mm X.X: $\pm 0.3$ mm X.XX: $\pm 0.05$ mm	Description: Adapter, SAE connector polarity converter, 50-00550 to 50-00550, 49 mm	Size: A
					Part number: <b>55-00058</b>
					Scale: 2:1
					Sheet 1 of 2


**Electrical Requirements**

Operating Voltage: 48 Vdc

Max Current: 16 A



Testing based on IEC 60512-5-2. Max current curve generated with isolated test article under controlled environmental conditions, and does not take into account external factors such as housings or circuitry. Recommended operating current curve (derated to 80% of max values) accounts for external factors, manufacturing variation, and error in temperature measurements.

Revision:	Date:	Description:	Prepared:	Notes: RoHS and REACH compliant	<b>TENSILITY</b> tel 1.541.323.3228 800 877.670.7118 fax 1.541.323.4202 web tensility.com
A	1/6/2017	Initial release	Verified:		
			Dimensions are in millimeters. Tolerances: X: ± 0.5 mm X.X: ± 0.3 mm X.XX: ± 0.05 mm	Description:	Size: Part number:
				Adapter, SAE connector polarity converter, 50-00550 to 50-00550, 49 mm	A 55-00058
				Scale: 2:1	Scale: 2:1  Sheet 2 of 2