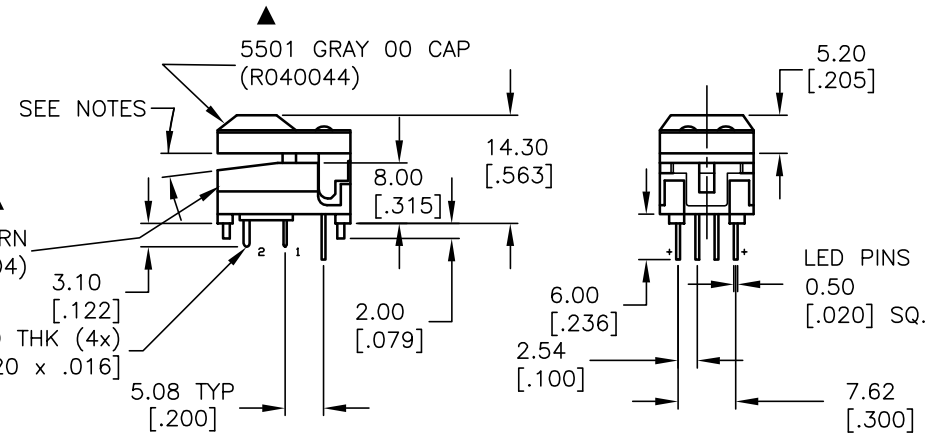


YELLOW LED

PARAMETERS	SYMBOL	MAX.	MIN.	TYP.	UNITS
POWER DISSIPATION	$P_D$	100	--		mW
FORWARD VOLTAGE	$V_F$	2.8	1.8	2.1	V
REVERSE VOLTAGE	$V_R$	5	--		V
EMISSION WAVELENGTH	$\lambda_P$			590	nm
LUMINOUS INTENSITY	$I_F$		5.0	12	mcd



GREEN LED

PARAMETERS	SYMBOL	MAX.	MIN.	TYP.	UNITS
POWER DISSIPATION	$P_D$	100	--		mW
FORWARD VOLTAGE	$V_F$	2.8	1.9	2.2	V
REVERSE VOLTAGE	$V_R$	5	--		V
EMISSION WAVELENGTH	$\lambda_P$			570	nm
LUMINOUS INTENSITY	$I_F$		6.0	15.0	mcd

SEE NOTES  
 5500STDBODYELGRN (R010004)

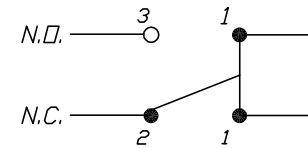
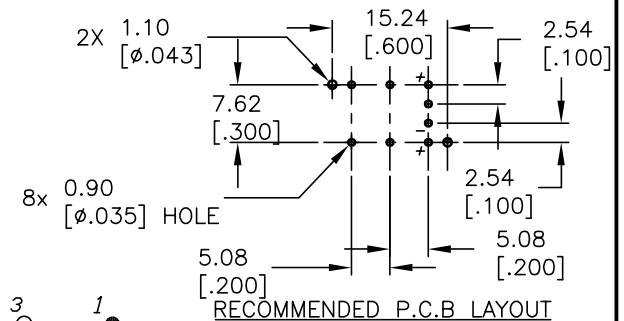
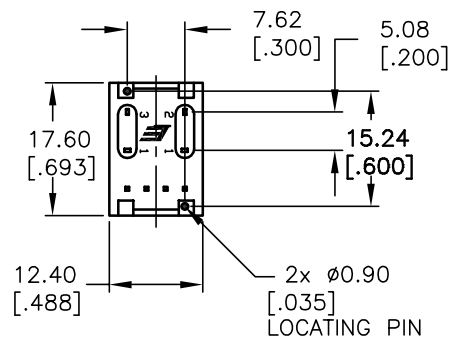
0.50 x 0.40 THK (4x) [.020 x .016]

LED PINS 0.50 [.020] SQ.

7.62 [.300]

NOTES:

1. ALL DIMENSIONS IN MM [INCH]
2. GENERAL TOLERANCE: X.X=±0.4  
X.XX=±0.25
3. TERM. NOS. FOR REFERENCE ONLY
4. RATINGS: 12mA @24V
- ▲ 5. CONTACT FIXED AND MOVING:  
COPPER ALLOY W/ GOLD PLATE
6. CONTINUOUS CURRENT RATING: 120mA
7. POWER RATING: 240mW
8. OPERATING FORCE: <200gf
9. OPERATING TRAVEL: 2.5±0.2mm
10. ▲ DENOTES CRITICAL PARAMETER.



CIRCUIT: SPDT CONTACT CONFIGURATION

**E-SWITCH®**

TITLE	5501MG RYYELGRN								
SCALE	1:1	DATE	9/29/03	DR	AR	DWG	XR0229P	REV	B

B	13513	CHANGE PART NUMBER	10/7/03	AR
A	13490	RELEASED FOR PRODUCTION	9/29/03	AR
REV.	ECN No.	DESCRIPTION	DATE	CHKD

THE INFORMATION CONTAINED IN THIS DOCUMENT IS PROPRIETARY TO E-SWITCH AND IS NOT TO BE COPIED OR TRANSFERRED