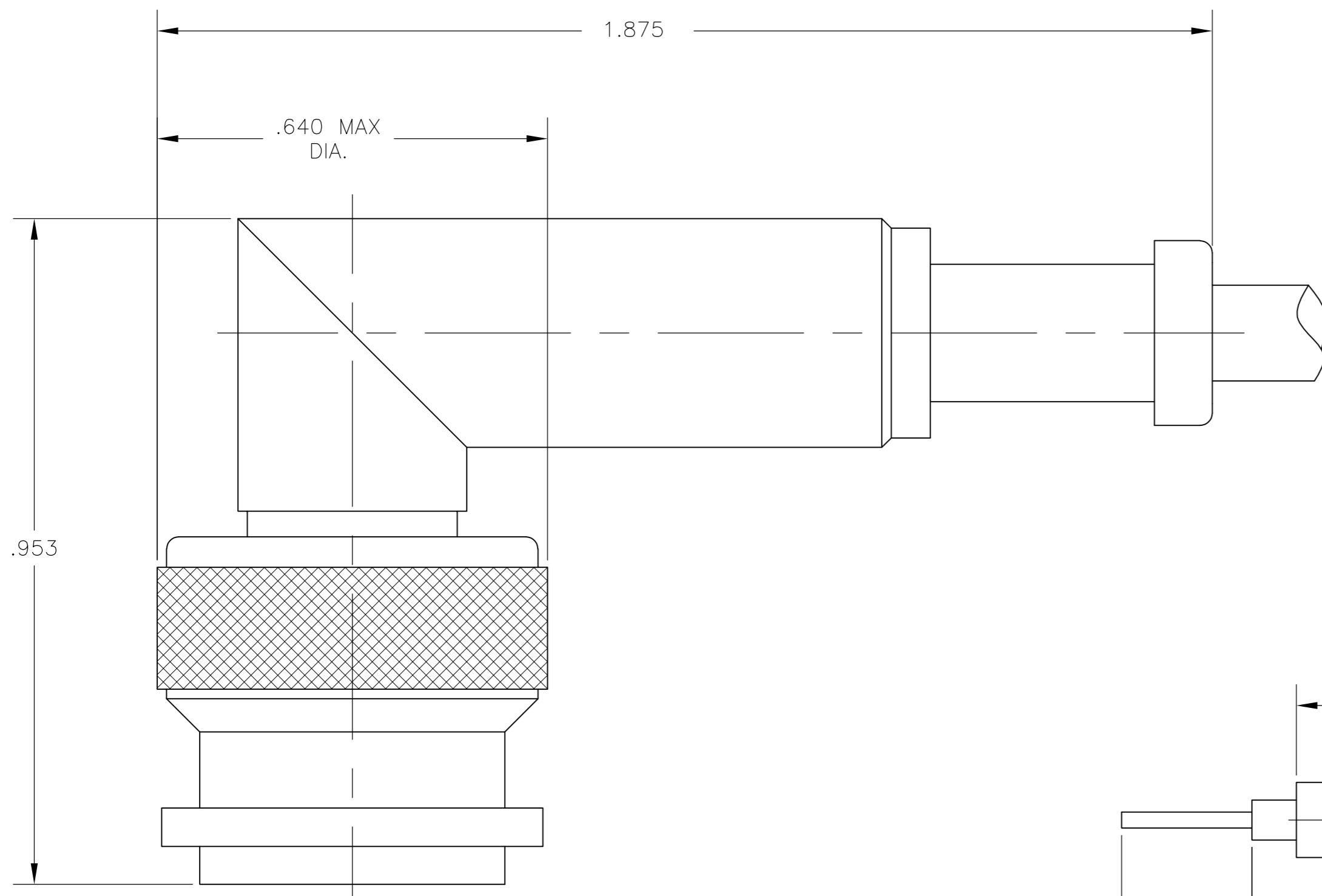
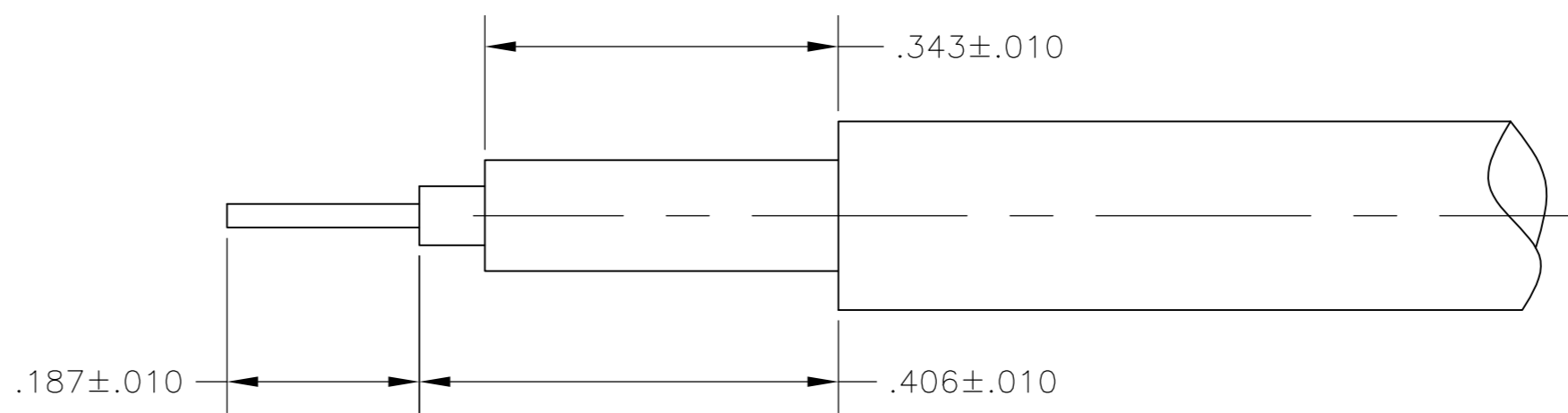


THIS DRAWING IS UNPUBLISHED. RELEASED FOR PUBLICATION  
 © COPYRIGHT - By - ALL RIGHTS RESERVED.

LOC	DIST	REVISIONS			
P	LTR	DESCRIPTION	DATE	DWN	APVD
HC	00	A1	REVISED PER ECO-11-005030	11MAR11	RK HMR



ASSEMBLED VIEW



RECOMMENDED STRIP LENGTH

1. I.S.: 2299-5.
2. FOR USE WITH CABLE SIZE: RG-58A/U & 58C/U.
3. HAND TOOL NO.: 220045-2.

1	225592-1	SEAL	4
1	9-225560-1	FERRULE	3
1	225471-1	CONTACT	2
1	5-225518-0	PLUG ASSEMBLY	1
-2 QTY.	PART NUMBER	DESCRIPTION	ITEM #

THIS DRAWING IS A CONTROLLED DOCUMENT.		DWN	J. POLIGNONE	12-14-04		TE Connectivity		
DIMENSIONS: INCHES		CHK	J. LIPPERT	12-14-04		NAME		
TOLERANCES UNLESS OTHERWISE SPECIFIED:		APVD	J. LIPPERT	12-14-04		CONNECTOR, COAX, R.F. SERIES		
0 PLC ± - 1 PLC ± - 2 PLC ± - 3 PLC ± - 4 PLC ± - ANGLES ± - FINISH -		PRODUCT SPEC	-			TNC DUAL CRIMP, RIGHT ANGLE PLUG, WEATHER PROOF		
MATERIAL	FINISH	WEIGHT	-		SIZE	CAGE CODE	DRAWING NO	RESTRICTED TO
-		CUSTOMER DRAWING		SCALE	6:1	SHEET	1 of 1	REV
				A2 00779		C=225559-2		A1