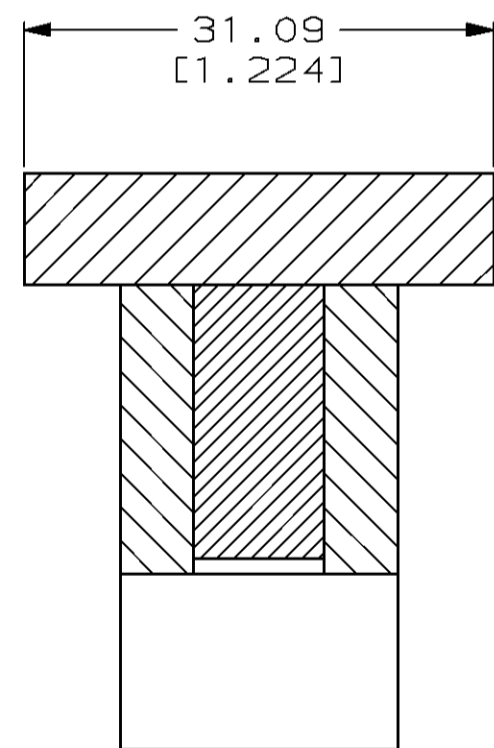
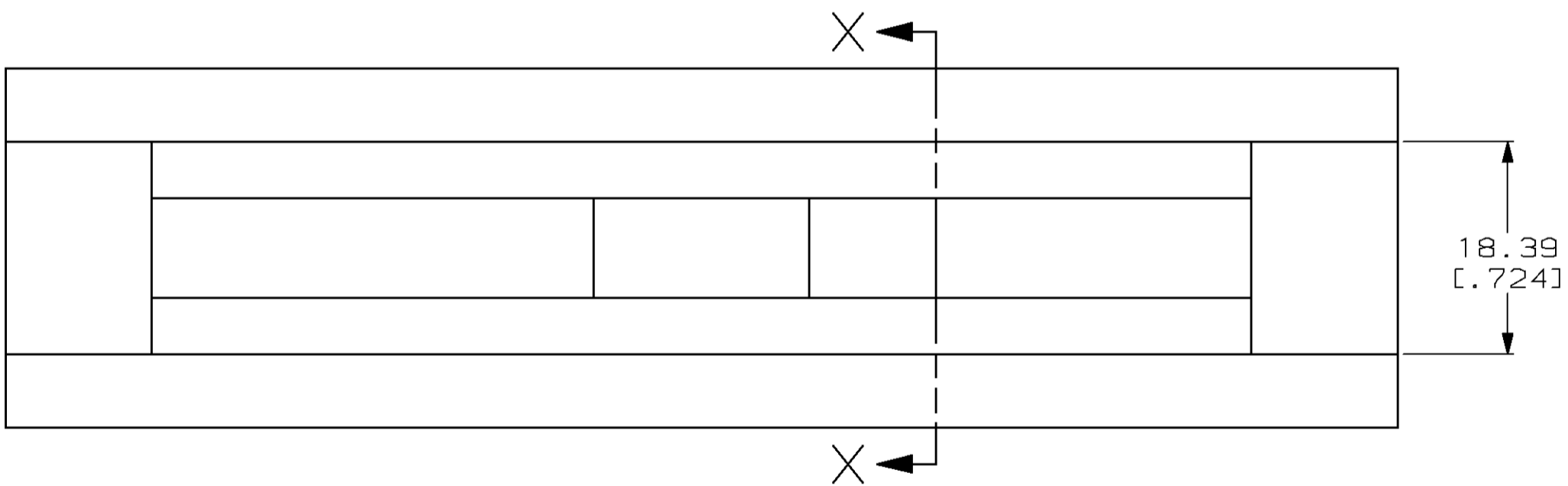
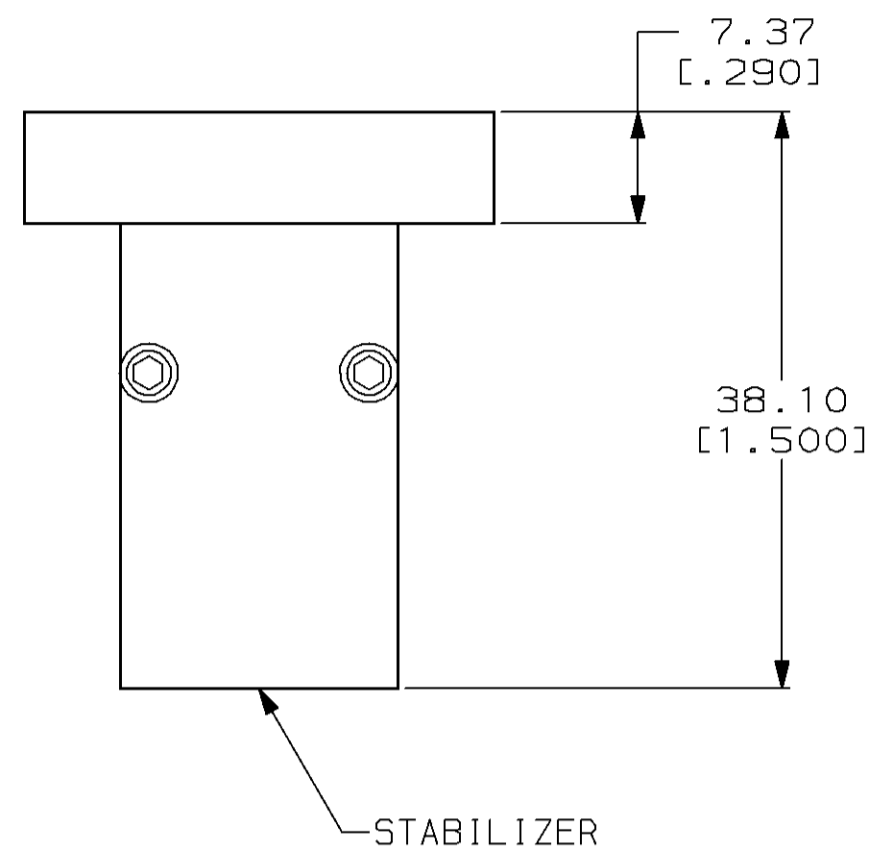
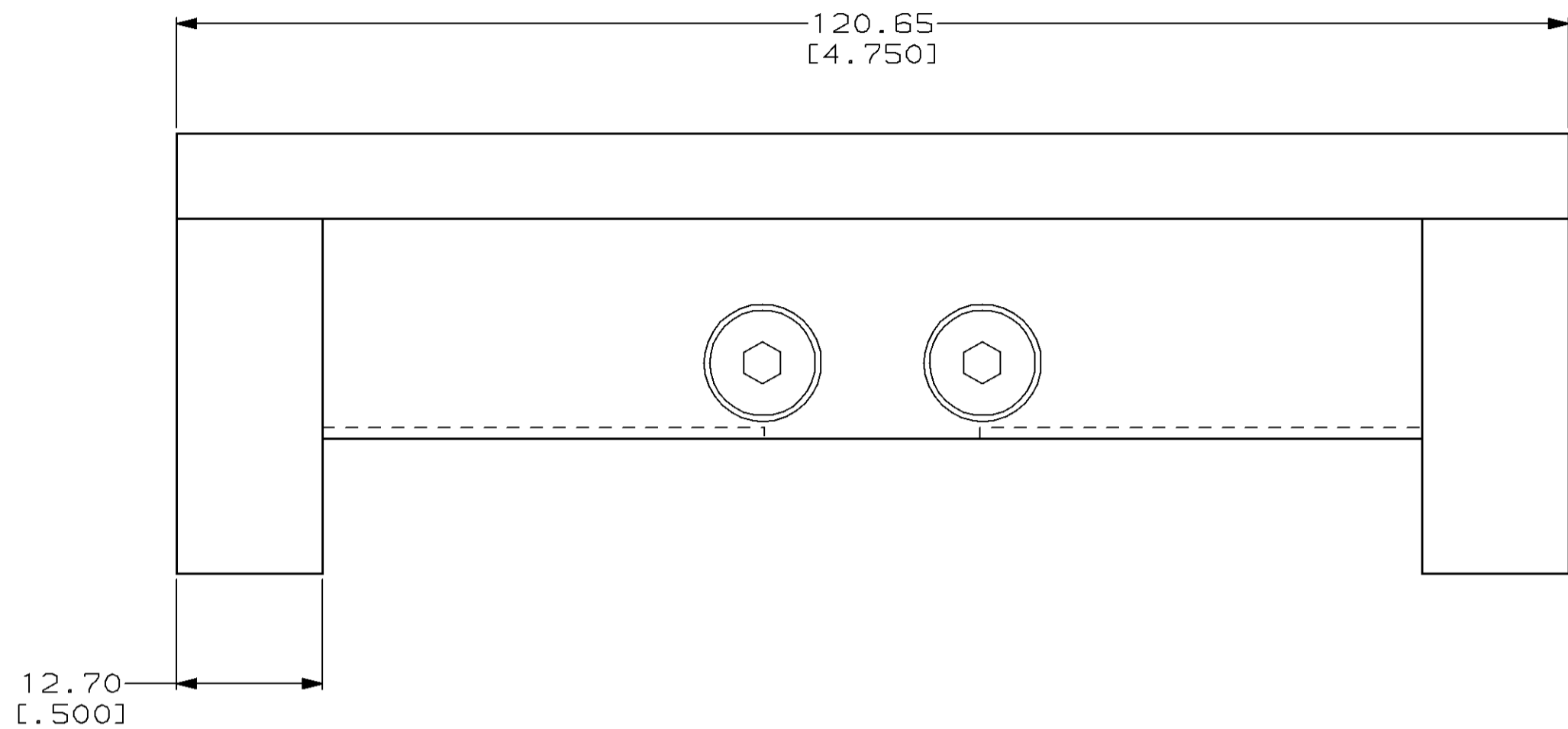


THIS DRAWING IS UNPUBLISHED. RELEASED FOR PUBLICATION
 BY AMP INCORPORATED. ALL RIGHTS RESERVED.

LOC	DIST	REVISIONS			
P	LTR	DESCRIPTION	DATE	DWN	APVD
AD	25	0 DRAWN	1-20-98	TS	RP



SECTION X-X
 ROTATED 90° CW

148454-1
 PART NUMBER

THIS DRAWING IS A CONTROLLED DOCUMENT.		DWN T. SHUEY	1-20-98	AMP Incorporated Harrisburg, PA 17105-3608
DIMENSIONS: mm [INCHES]		CHK R. PATTERSON	2-3-98	
TOLERANCES UNLESS OTHERWISE SPECIFIED:		APVD R. PATTERSON	2-3-98	
0 PLC ± _____ 1 PLC ± _____ 2 PLC ± _____ 3 PLC ±0.13 [.005] 4 PLC ± _____ ANGLES ± _____ FINISH _____		PRODUCT SPEC	NAME	
MATERIAL STABILIZER: LEXAN. OTHER PARTS: STEEL		APPLICATION SPEC	SIZE	RESTRICTED TO
		WEIGHT	A2 00779	SCALE
		CUSTOMER DRAWING	C=148454	SHEET
			2:1	OF
			1	REV
			0	

148454

ORSOLETE
 NOT THE LATEST REVISION