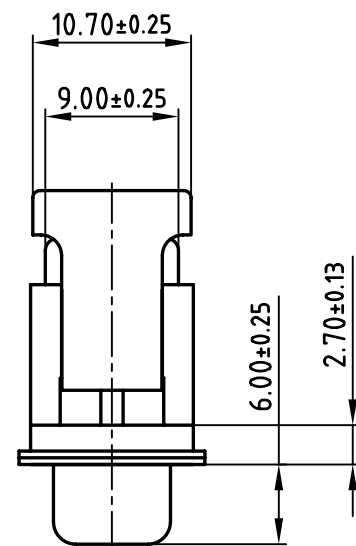
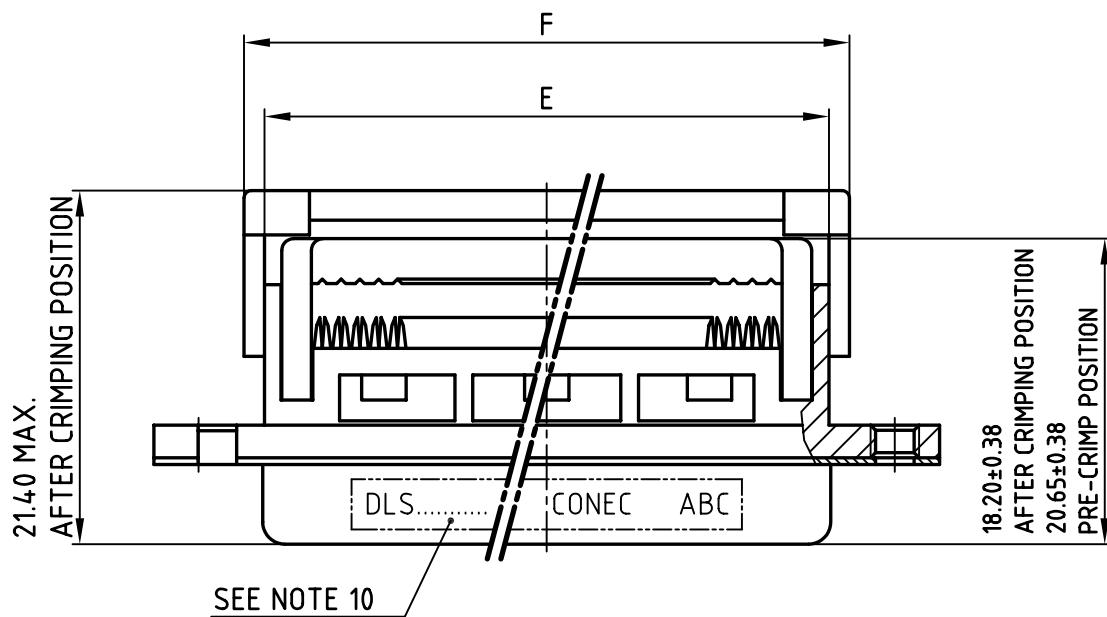
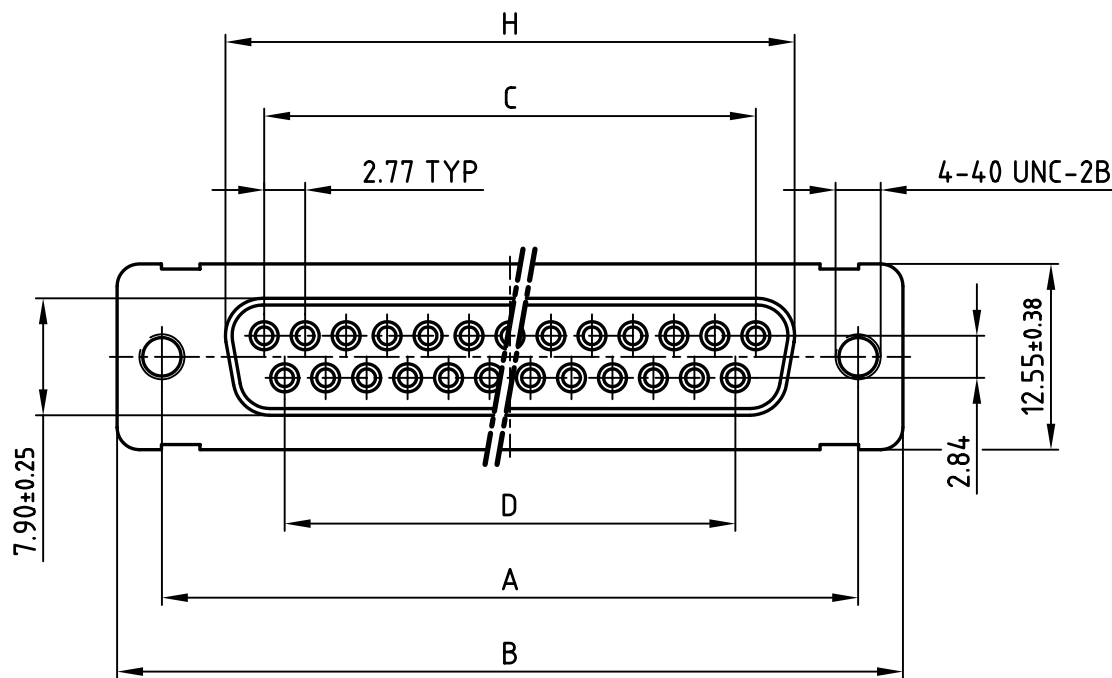
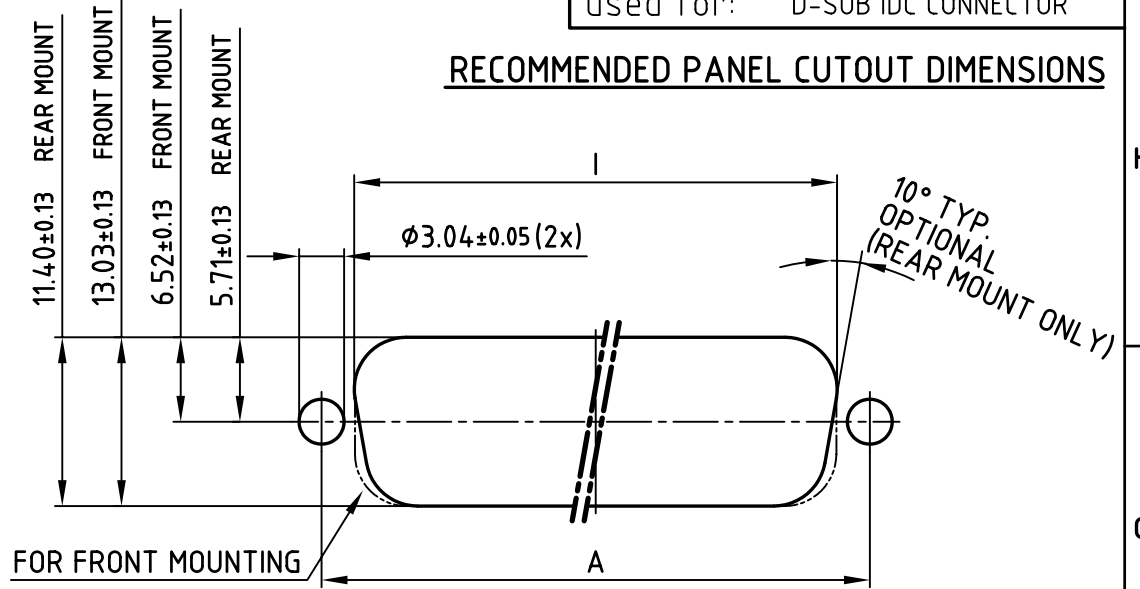


used for: D-SUB IDC CONNECTOR

SPECIFICATION:

1. CURRENT RATING: 1 A
2. INSULATION RESISTANCE: >1000 M OHM MIN. (AT 500 V DC)
3. DIELECTRIC WITHSTANDING VOLTAGE: 500 V AC MIN. (FOR 1 MINUTE)
4. OPERATING TEMPERATURE: -55°C TO +105°C
5. CONTACT RESISTANCE: ≤ 15m OHM
6. DIELECTRIC MATERIAL: PBT WITH GLASS-FIBER REINFORCED UL 94 V-0
7. CONTACT MATERIAL: PHOSPHOR BRONZE
8. CONTACT PLATING: GOLD OVER NICKEL
9. WIRE SIZE: AWG 26 + 28 STRANDED, 1.27mm CONDUCTOR CENTRE FLAT CABLE
10. CONNECTOR IS PART MARKED: PART-NO. CONEC ABC

RECOMMENDED PANEL CUTOUT DIMENSIONS



POS.	A ±0.13	B ±0.25	C ±0.13	D ±0.13	E ±0.25	F ±0.25	H ±0.25	I ±0.13		Part NO.
								REAR MOUNTING	FRONT MOUNTING	
9	24.99	30.80	11.08	8.31	16.10	18.60	16.33	20.47	22.20	DLS1XSSAG04X
15	33.32	39.10	19.39	16.62	24.00	26.60	24.66	28.80	30.53	DLS2XSSAG04X
25	47.04	53.09	33.24	30.47	38.14	40.90	38.38	42.52	44.27	DLS3XSSAG04X
37	63.50	69.40	49.86	47.09	54.60	57.10	54.84	59.08	60.73	DLS4XSSAG04X

Directive 2002/95/EC
„RoHS“
Compliant

APPROVAL # FREIGABE # DEBLOCAGE # AUTOR/ZACION # APPROVAL

CUSTOMER APPROVAL DATE:

NAME: _____ **TITLE:** _____

COMPANY NAME: _____

APPROVAL # FREIGABE # DEBLOCAGE # AUTOR/ZACION # APPROVAL

THIS DRAWING MAY NOT BE COPIED OR REPRODUCED IN ANY WAY, AND MAY NOT BE PASSED ON TO A THIRD PARTY WITHOUT WRITTEN PERMISSION.
OWNERSHIP AND COPYRIGHT OF CONEC GmbH
DO NOT ALTER CAD DRAWING BY HAND

tolerance		dim. in mm	scale: 2:1	
General tolerance: ±0.25			material: SEE SPECIFICATION	
2010	date	title:		
drawn	29.07.	D-SUB IDC FEMALE CONNECTOR		
appd.	30.07.	WITH METAL SHELL & 4-40 THREAD		
norm		dwg no: AutoCAD 2006		
d-old		DIN-A		
a	Origin	16K1A2683		
rev.	description	part no: SEE TABLE		
date	name	sh:1/1		

