

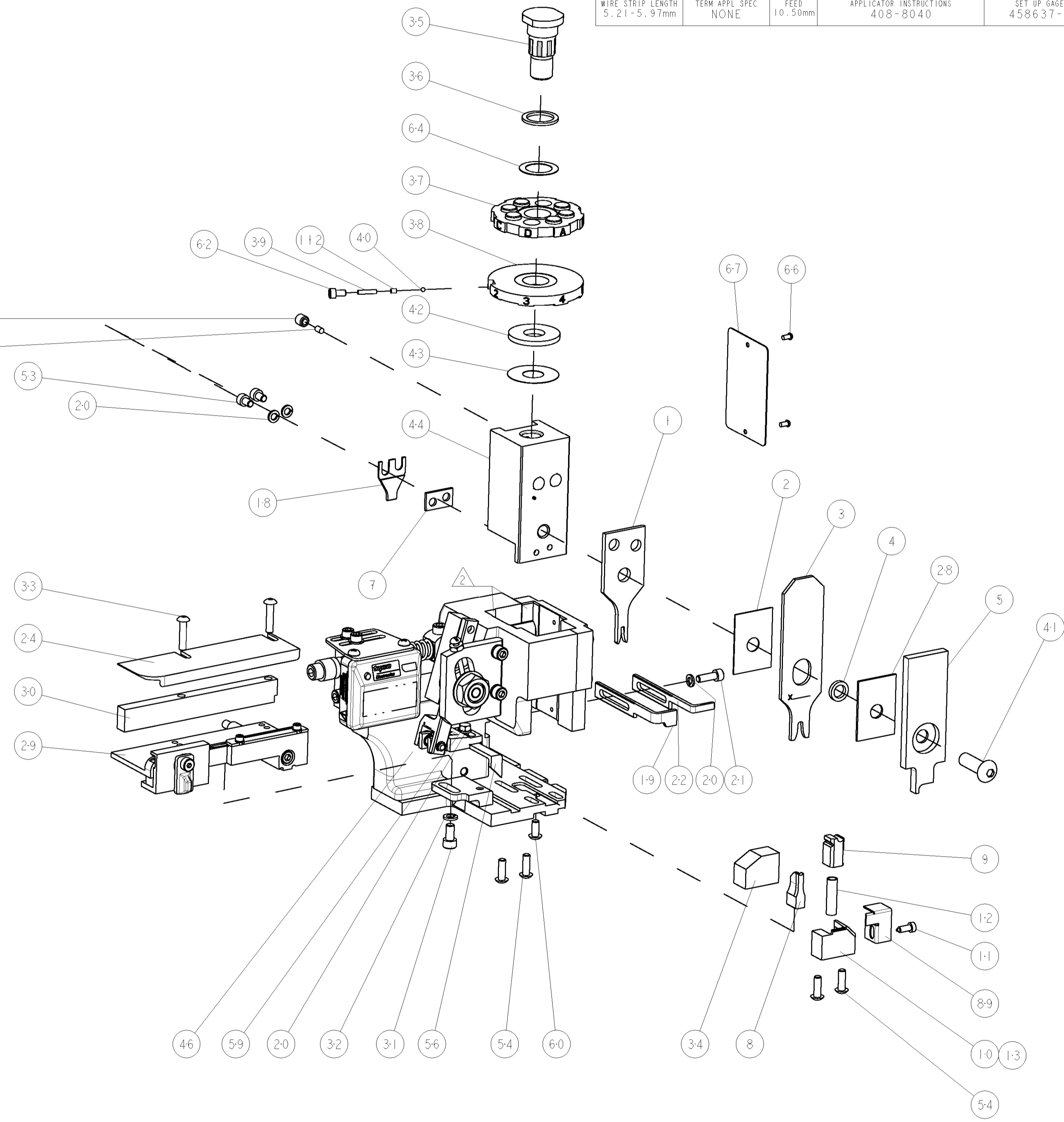
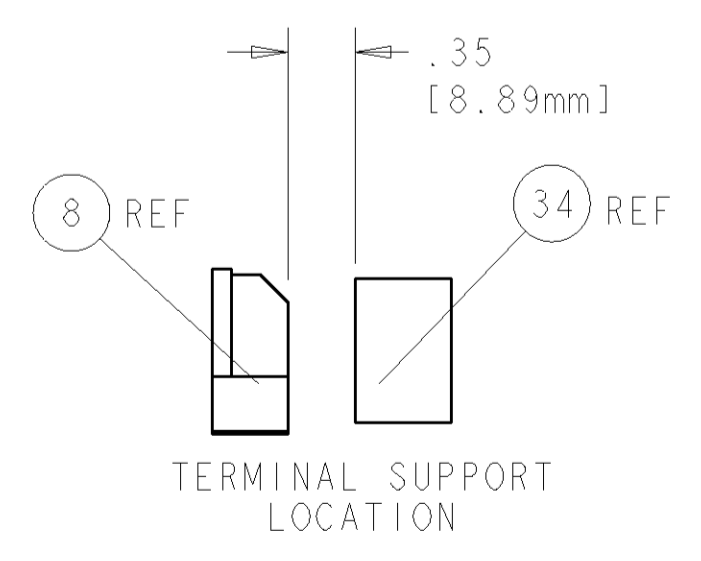
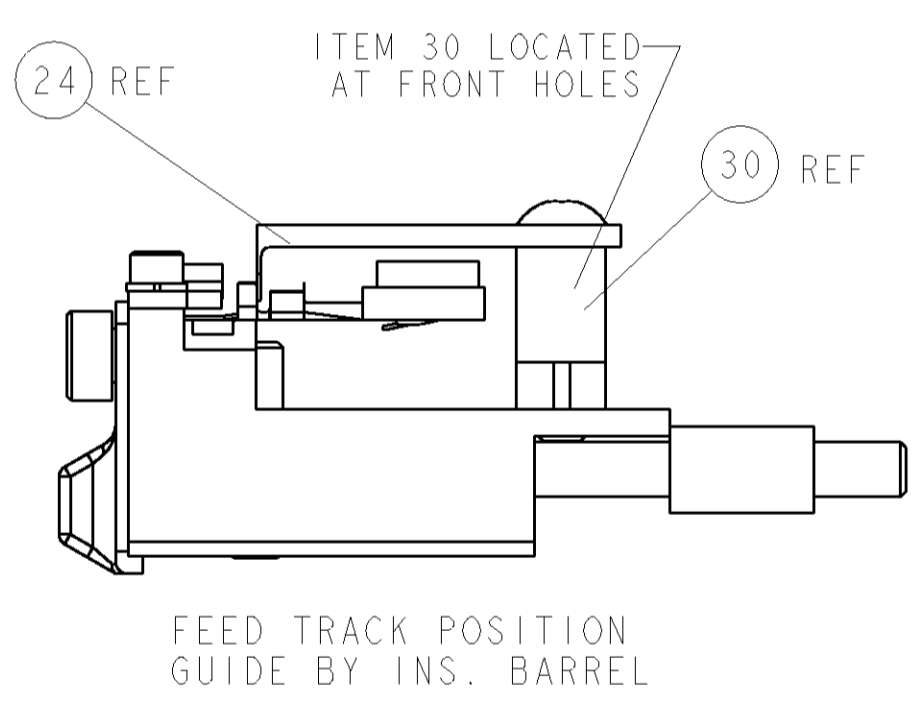
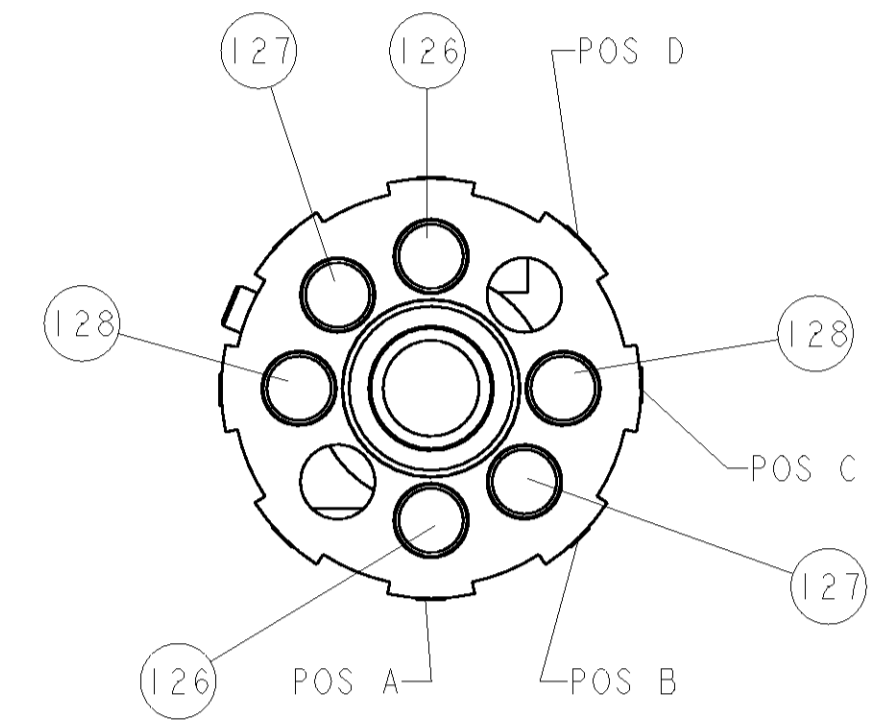
PART NUMBER	REV	FIRST USED	POWER UNIT	FEED TYPE	DESCRIPTION
1852546-1	A	122500-1	LEADMAKER	POST FEED	CUTS CARRIER
1852546-2	A	565435-5	BENCH MODEL K	PRE FEED	CUTS CARRIER
1852546-3	A	354500-1	BENCH MODEL G	PRE FEED	CUTS CARRIER
1852546-6	A	122500-1	LEADMAKER	POST FEED	CONTINUOUS CARRIER
7-1852546-7	A	-	-	-	SPARE PARTS



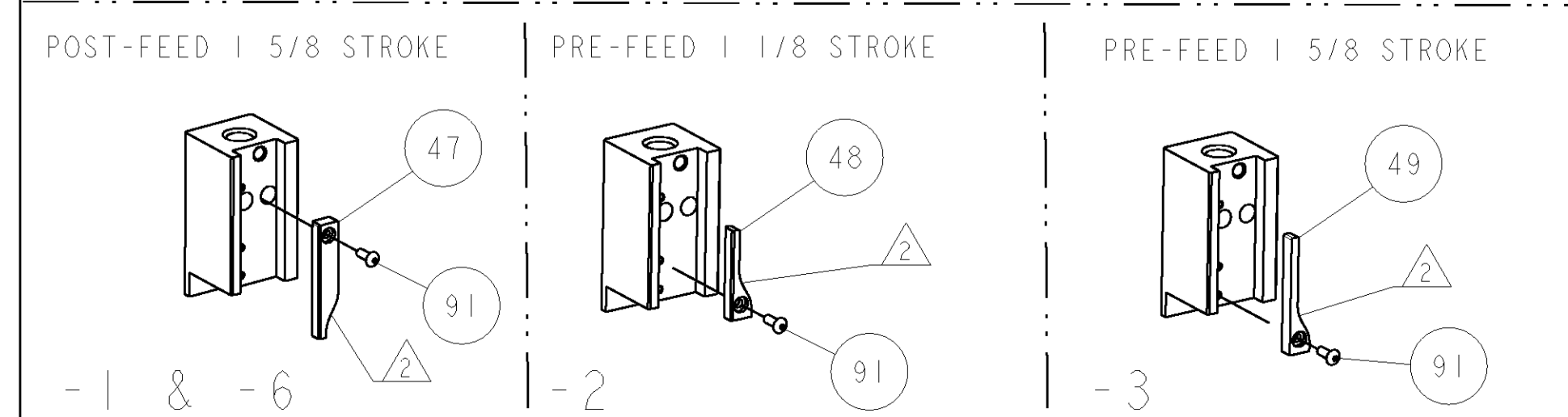
TERMINAL NAME: TERMINAL LAMP SOCKET WEDGE BASE			
SOCKET	PIN	TE TERMINAL - TE CRIMP SPECS	
-	1742395-1		
		PAD LTR	CRIMP HEIGHT
-	-	A	1.42±0.05mm [.056±.002]
-	-	B	1.27±0.05mm [.050±.002]
-	-	C	1.19±0.05mm [.047±.002]
-	-	D	-
		CRIMP	SIZE TYPE RANGE
-	-	WIRE	1.78mm [.070] F 18-22 AWG
-	-	INSUL	3.56mm [.140] O Ø1.52-2.54mm
WIRE STRIP LENGTH	TERM APPL SPEC	FEED	APPLICATOR INSTRUCTIONS
5.21-5.97mm	NONE	10.50mm	408-8040
			SET UP GAGE 458637-1

LOC	DIST	REVISIONS				
A	66	P LTR	DESCRIPTION	DATE	DWN	APPR
		A	RELEASED	07SEP2007	BH	BH

- △ RECOMMENDED SPARE PARTS
- △ GREASE LIGHTLY
- △ GUARD MUST BE IN PLACE WHEN OPERATING APPLICATOR IN A BENCH MACHINE



-	2	2	2	2	-	3-354779-6	PIN, WIRE DISC, .3170	128
-	2	2	2	2	-	2-354779-8	PIN, WIRE DISC, .3130	127
-	2	2	2	2	-	1-354779-4	PIN, WIRE DISC, .3060	126
-	-	-	REF	-	..	455749-1	GUARD WINDOW	116
-	-	REF	-	-	..	679532-1	INSERT, GUARD	115
-	1	1	1	1	-	690603-1	SPRING ASSIST AMP-O-MATOR APPLICATOR	112
-	1	1	1	1	-	1-21002-7	SCR, BTN SKT HD CAP 6-32 X .375	91
-	1	1	1	1	-	318563-1	GUARD, FRONT CHIP	89
-	1	1	1	1	-	4088040	SF APPL INST 408-8040	72
-	1	1	1	1	-	217238-1	GENERAL INSTRUCTION PKG	71
-	1	1	1	1	-	461264-1	PLATE, IDENTIFICATION	67
-	2	2	2	2	-	21017-2	SCREW, DRIVE	66
-	1	1	1	1	-	986950-1	WASHER, FLAT PRECISION	64
-	1	1	1	1	-	21009-2	SCR, SET, SELF LOCKING 1/4-20 X .250	63
-	1	1	1	1	-	23030-1	SCR, SKT HD CAP 6-32 X .25	62
-	1	1	1	1	-	22733-8	SCR, BHSC, SELF-LOCKING, 8-32 X .375	60
-	1	1	1	1	-	2-22603-0	SCR, HEX HD CAP 8-32 X .312	59
-	1	1	1	1	-	458537-2	PAWL, FEED	56
-	4	4	4	4	-	2-21002-2	SCR, BTN SKT HD CAP 8-32 X .500	54
-	2	2	2	2	-	2-21000-5	SCR, SKT HD CAP 8-32 X .250	53
-	-	-	-	-	..	690602-6	CAM, PRE FEED, 1 5/8	49
-	-	-	-	-	..	690602-5	CAM, PRE FEED, 1 1/8	48
-	1	-	-	-	-	690501-4	CAM, POST FEED, 1 5/8	47
-	1	1	1	1	-	459456-1	APPL. BASIC SUB ASSY (SIDE WISE MOCA)	46
-	1	1	1	1	-	690191-1	PLUG, NYLON	45
-	1	1	1	1	-	455673-1	RAM, SIDE FEED	44
-	1	1	1	1	-	690125-1	SHIM SUB-ASSY	43
-	1	1	1	1	-	690124-1	WASHER, RAM (.115)	42
-	1	1	1	1	-	7-21002-9	SCR, BTN SKT HD CAP 5/16-24 X 1.00	41
-	1	1	1	1	-	23241-6	BALL, STEEL	40
-	1	1	1	1	-	690170-1	SPRING, COMPRESSION	39
-	1	1	1	1	-	690142-1	DISC, INSULATION	38
-	1	1	1	1	-	354777-1	WIRE DISC, ASSEMBLY	37
-	1	1	1	1	-	22480-5	SPRING, COMPRESSION	36
-	1	1	1	1	-	690212-1	POST, RAM	35
-	1	1	1	1	-	690786-6	TERMINAL SUPPORT	34
-	2	2	2	2	-	2-21002-4	SCR, BTN SKT HD CAP 8-32 X .750	33
-	1	1	1	1	-	21024-5	WASHER, SPRG LOCK, REG NO 10	32
-	1	1	1	1	-	3-21000-4	SCR, SKT HD CAP 10-32 X .375	31
-	1	1	1	1	-	1320908-3	SPACER, STRIP GUIDE	30
-	1	1	1	1	-	1633091-1	ASSEMBLY, STRIP GUIDE	29
-	1	1	1	1	-	1-455888-0	SPACER, CRIMPER	28
-	1	1	1	1	-	1320928-2	PLATE, STRIP GUIDE	24
-	1	-	-	-	-	690472-2	STRIPPER	22
-	1	1	1	1	-	2-21000-7	SCR, SKT HD CAP 8-32 X .500	21
-	4	4	4	4	-	21024-4	WASHER, SPRG LOCK, REG NO 8	20
-	-	-	-	-	-	691353-1	STRIPPER	19
-	1	1	1	1	-	1-690518-1	HOLD DOWN, TERMINAL	18
-	1	1	1	1	-	679625-1	SHEAR HOLDER, FRONT (NO CUT)	13
-	1	1	1	1	-	3-22280-3	SPRING, COMPRESSION	12
-	1	1	1	1	-	1-690461-7	STOP, SHEAR	11
-	-	-	-	-	-	690459-1	SHEAR HOLDER, FRONT	10
-	1	1	1	1	-	462006-1	FLOATING SHEAR, FRONT	9
1	1	1	1	1	-	8-1633117-9	ANVIL, COMBINATION	8
-	1	1	1	1	-	6-240641-4	SPACER	7
-	-	-	-	-	..	-	-	6
-	1	1	1	1	-	2-455889-0	DEPRESSOR, SHEAR	5
-	1	1	1	1	-	1-238011-0	BLOCK, CRIMPER SPACER	4
1	1	1	1	1	-	5-683454-0	CRIMPER, INSULATION 0	3
-	1	1	1	1	-	455888-5	SPACER, CRIMPER	2
1	1	1	1	1	-	3-456404-5	CRIMPER, WIRE PREMIUM	1



DIMENSIONS:		TOLERANCES UNLESS OTHERWISE SPECIFIED:	
INCHES	0 PLC ±	1 PLC ±	2 PLC ±
	3 PLC ±	4 PLC ±	ANGLES ±
MATERIAL	FINISH	WEIGHT	CUSTOMER DRAWING

DATE	21AUG2007	DRN	S.ZOU
CHK	S.ZOU	DATE	21AUG2007
APP'D	S.YABE	NAME	SIDE FEED HDM APPLICATOR
PRODUCT SPEC		SIZE	CAGE CODE DRAWING NO
APPLICATION SPEC		RESTRICTED TO	
SCALE	3:5	SHEET	1 OF 1
REV	A		

CUSTOMER VIEWABLE ASSEMBLY