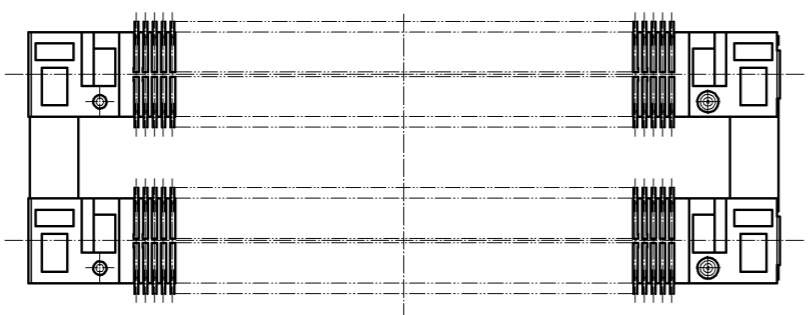
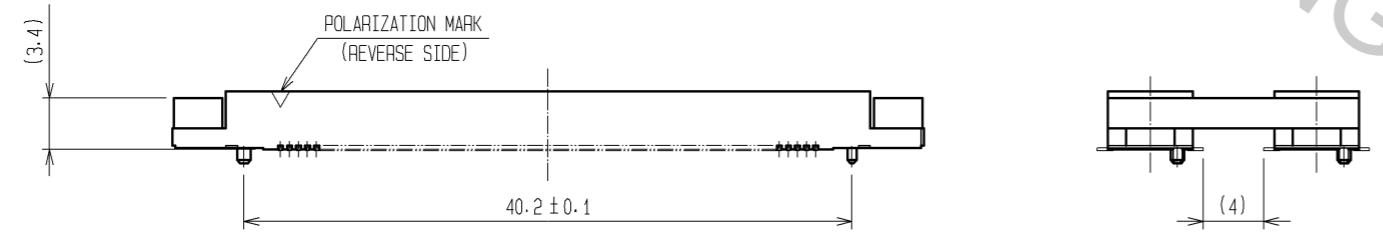
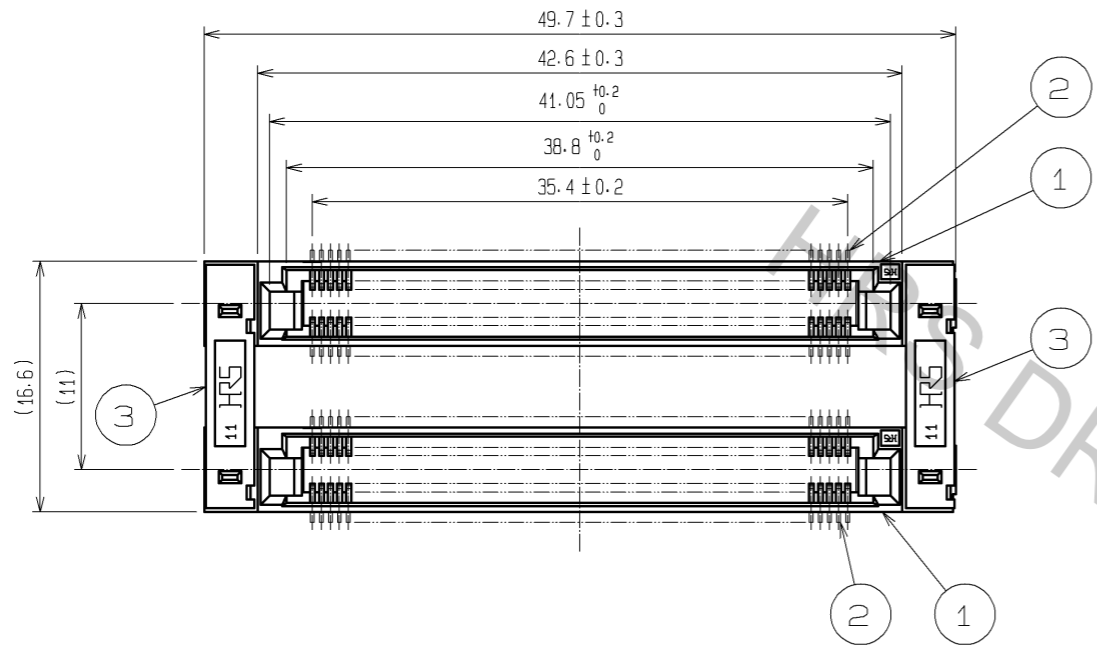
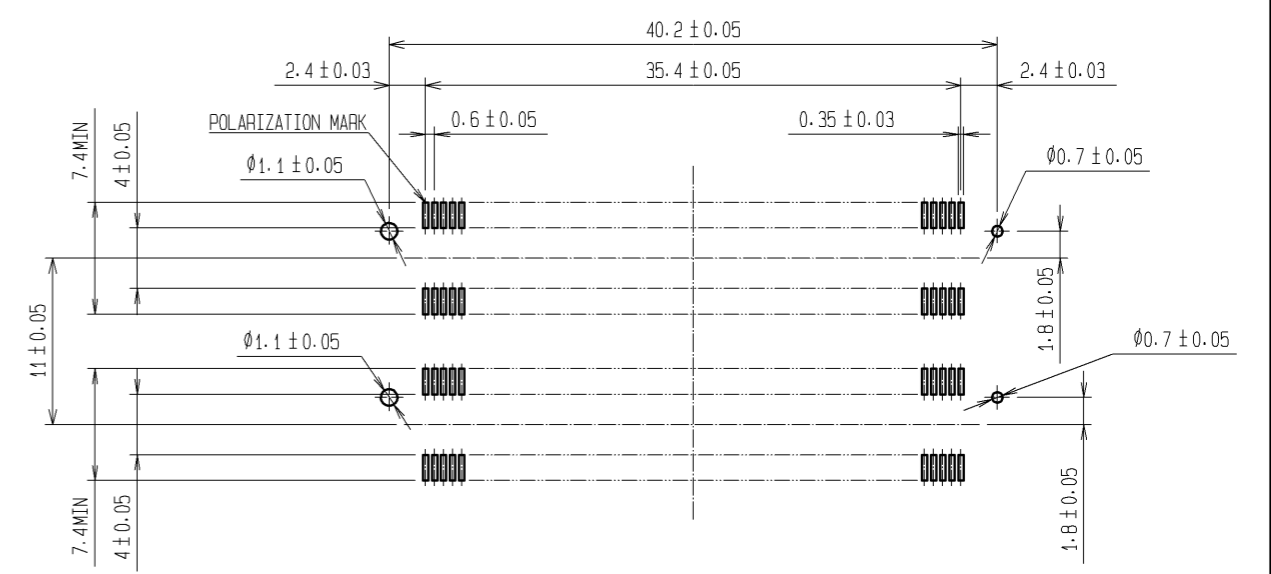


Apr.1.2017 Copyright 2017 HIROSE ELECTRIC CO., LTD. All Rights Reserved.



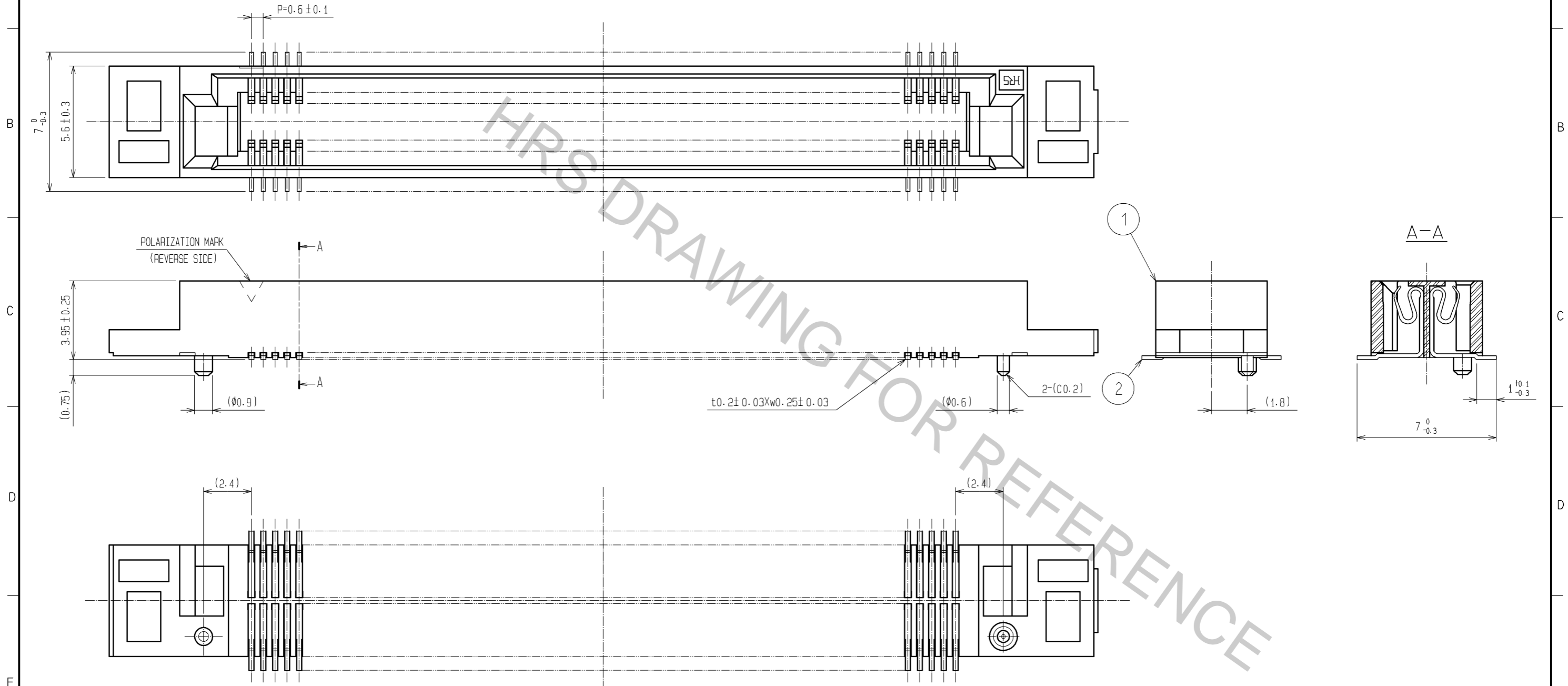
RECOMMENDED LAND PATTERN DIMENSION OF PCB (MOUNTING SIDE)
(RECOMMENDED METAL MASK THICKNESS:0.15mm)



- NOTES
- 1 LEAD CO-PLANARITY SHALL BE 0.1mm MAX.
 - 2 AFTER MOUNTING BOARD, REF. NO. 3 SHALL BE REMOVED.
 - 3 FOR MODIFICATION, ETC., PREVENTIVE HOLE FOR SINK MARK MAY BE ADDED DEPENDS ON CIRCUMSTANCES.
 - 4 THE DIMENSIONS IN PARENTHESES ARE FOR REFERENCE.

1, 3	PPS	LIGHT BROWN (UL94V-0)	2	PHOSPHOR BRONZE	CONTACT AREA:GOLD 0.1µm min LEAD AREA:GOLD FLASH UNDER PLATING:NICKEL 1.5µm min
NO.	MATERIAL	FINISH, REMARKS	NO.	MATERIAL	FINISH, REMARKS
UNITS mm		SCALE 2 : 1	COUNT 	DESCRIPTION OF REVISIONS	DESIGNED
HRS HIROSE ELECTRIC CO., LTD.		APPROVED : HS. OKAWA 09.01.06	CHECKED : HT. YAMAGUCHI 09.01.06	DESIGNED : SY. KAMIGA 09.01.05	DRAWN : HK. SUNADORI 08.12.26
				DRAWING NO.	EDC3-150964-25
				PART NO.	FX8C-120/120S11-SVJ(71)
				CODE NO.	CL578-0906-0-71

DETAIL AFTER REMOVING JOINT(5:1)



NOTE THE DIMENSIONS IN PARENTHESES ARE FOR REFERENCE.

HRS	DRAWING NO.	EDC3-150964-25	
	PART NO.	FX8C-120/120S11-SVJ(71)	
	CODE NO.	CL578-0906-0-71	\triangle 2/2