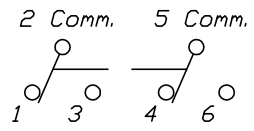
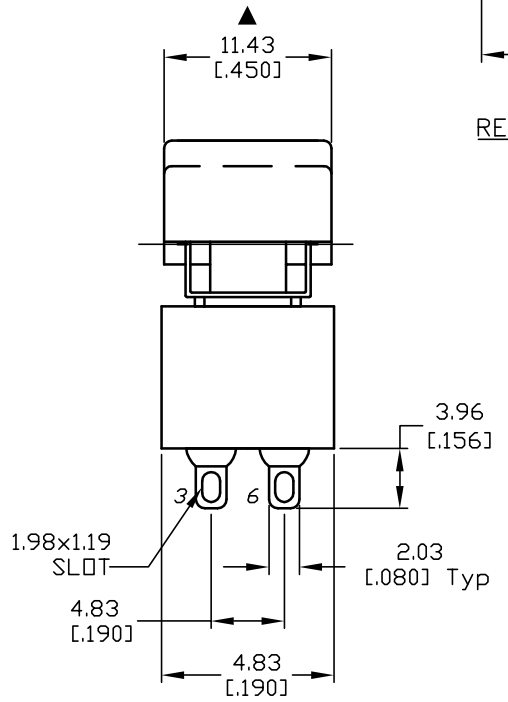
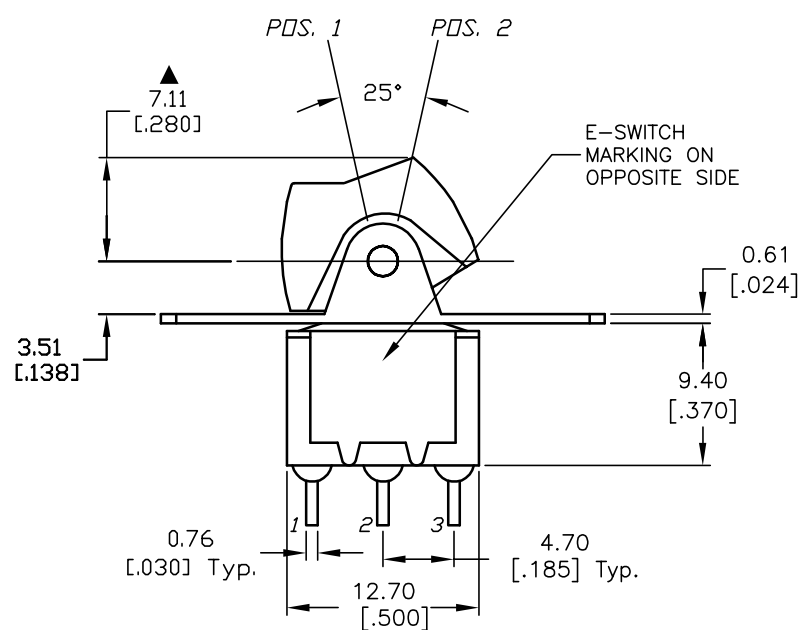


RECOMMENDED PANEL MOUNTING



CIRCUIT: DPDT CONTACT CONFIGURATION

NOTES:

1. ALL DIMENSIONS IN MM [INCH]
2. GENERAL TOLERANCE: 0.0=±0.4
0.00=±0.25
3. TERM. NOS. FOR REF. ONLY
- ▲ 4. CONTACT RATING: 5 Amps @120VAC or 28VDC;
2 Amps @250VAC.
5. ELECTRICAL LIFE: 50,000 make-and-break cycles full load.
6. DIELECTRIC STRENGTH: 1,000 V RMS @sea level
7. OPERATING TEMP.: -30°C to 85°C
8. ▲ DENOTES CRITICAL PARAMETER.

SWITCH FUNCTION		
POS. 1	POS. 2	POS. 3
ON	NONE	ON
2-3,5-6	OPEN	2-1,5-4

E-SWITCH®

TITLE					300DP1R11BLKM1QE									
SCALE	2:1		DATE	8/28/03		DR	AR		DWG	T321064		REV	A	

THE INFORMATION CONTAINED IN THIS DOCUMENT IS PROPRIETARY TO E-SWITCH AND IS NOT TO BE COPIED OR TRANSFERRED