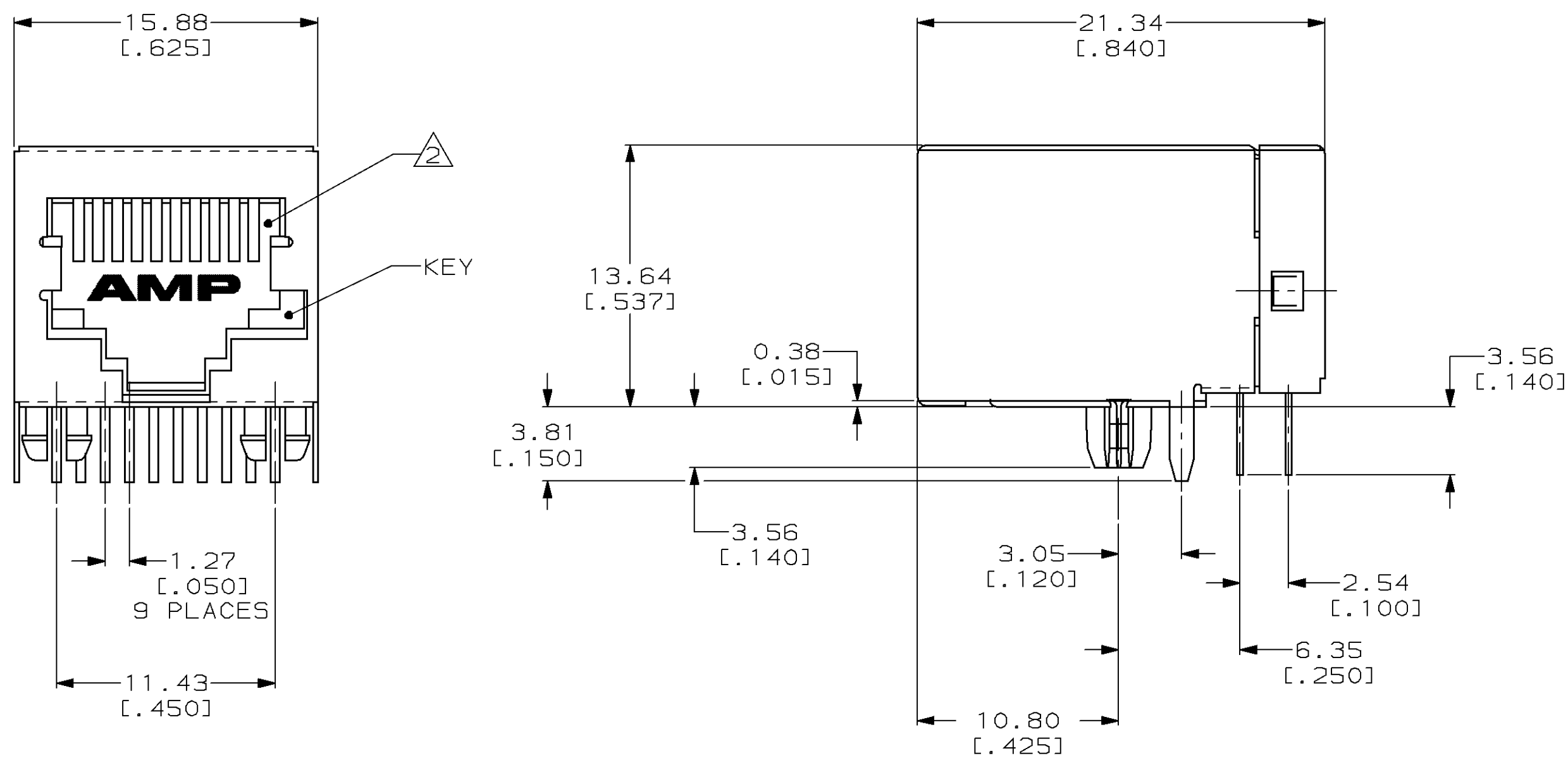


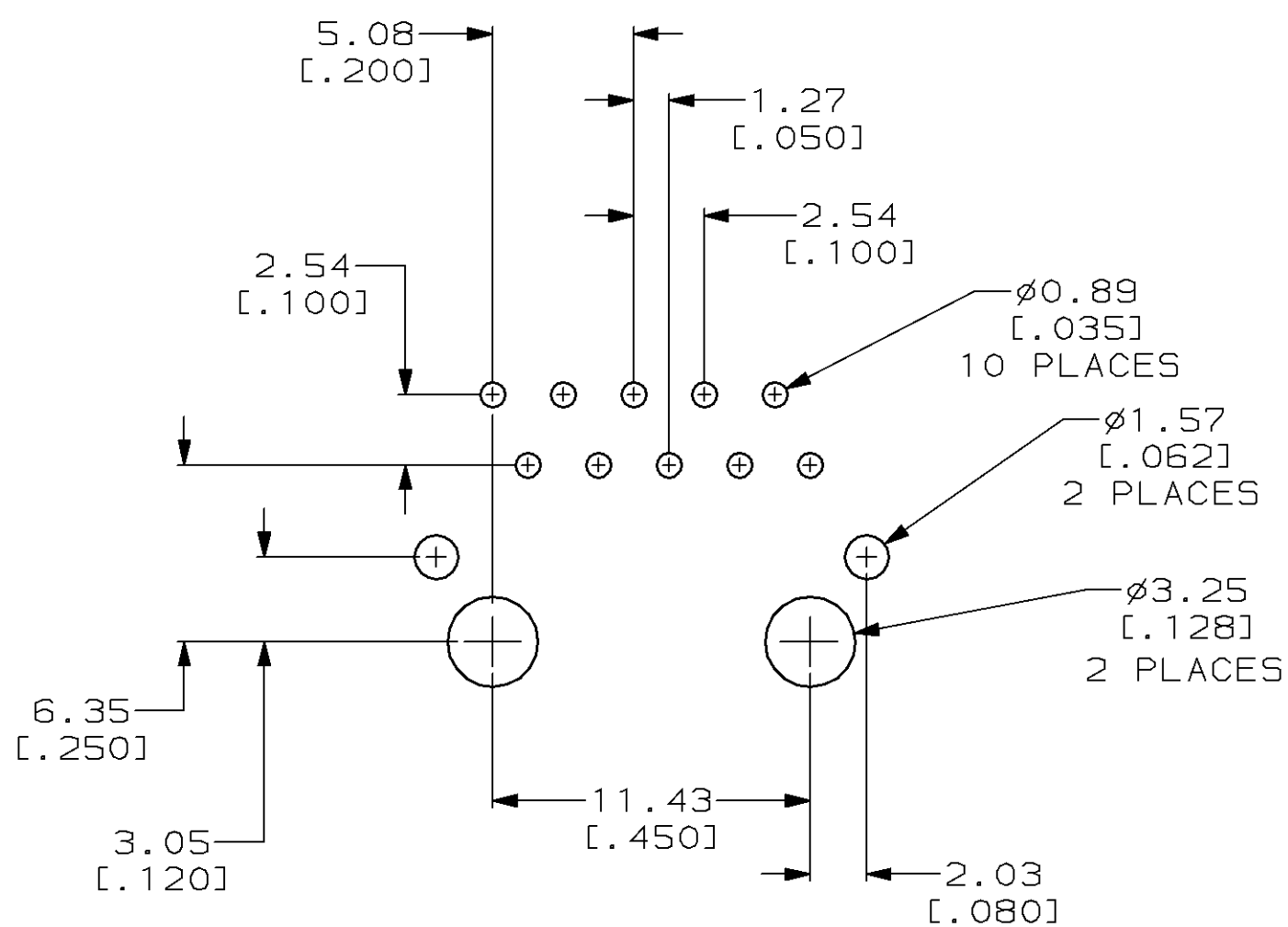
LOC	DIST	P	F	REVISIONS				
AA	22			ZONE	LTR	DESCRIPTION	DATE	APPD
				A		REV; EC 0210-0791-95	06MAY96	DS JT



1 MATERIALS:  
 HOUSING-PCT POLYESTER, BLACK, IR  
 REFLOW COMPATIBLE, UL 94V-0.  
 TERMINALS 0.33 [.013] THICK PHOS  
 BRONZE PLATED WITH 1.27µm [.000050]  
 HARD GOLD IN LOCALIZED AREA AND 3.81µm  
 [.000150] THICK TIN-LEAD IN SOLDER  
 AREA OVER 1.27µm [.000050] MINIMUM  
 THICK NICKEL UNDERPLATE.  
 SHIELD-0.25 [.010] THICK COPPER ALLOY  
 PLATED WITH 2.03µm [.000080] MINIMUM  
 TIN-LEAD OVER 2.54µm [.000100] MINIMUM  
 COPPER.

2 JACK CAVITY CONFORMS TO FCC RULES AND  
 REGULATIONS, PART 68 SUBPART F.

3. DIMENSIONS ARE NOMINAL UNLESS OTHER-  
 WISE SPECIFIED.



SUGGESTED PC BOARD LAYOUT  
 VIEW SHOWN IS TOP (COMPONENT SIDE) OF PC BOARD

THIS DRAWING IS A CONTROLLED DOCUMENT FOR  
 AMP INCORPORATED. IT IS SUBJECT TO CHANGE  
 AND THE CONTROLLING ENGINEERING ORGANIZATION  
 SHOULD BE CONTACTED FOR THE LATEST REVISION.

DO NOT SCALE PRINT. UNLESS SPECIFIED DIMENSIONS IN mm [INCHES] TOLERANCES ON : 2 PLC DEC ± - 3 PLC DEC ± 0.13 [.005] ANGLES ± -		DR 7-21-93 S.MAYBERRY	AMP Incorporated Harrisburg, PA 17105-3608	
MATERIAL		CHK 8-3-93 B.FOX		
FINISH		APPD 8-3-93 G.REED	NAME MODULAR JACK ASSEMBLY, 10 POSITION, KEYED, SIDE ENTRY, LOW PROFILE, FULLY SHIELDED, PRINTED CIRCUIT GROUND	
1 1		APPD 8-3-93 M.MILLER	SIZE C	CAGE CODE 00779
WEIGHT -		PRODUCT SPEC -	DRAWING NO G=558068	SHEET 1 OF 1
		APPLICATION SPEC -	SCALE 4:1	