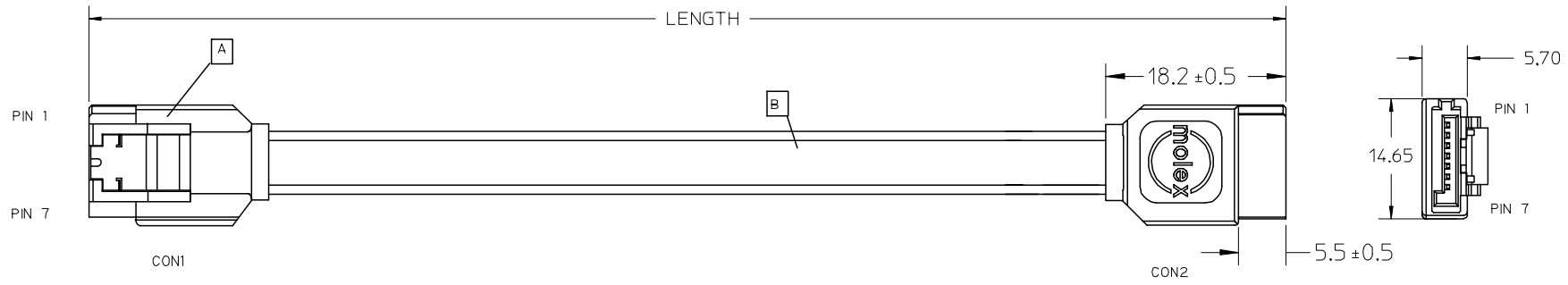
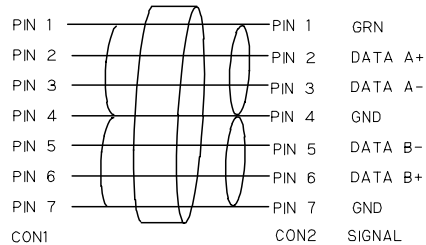


7 6 5 4 3 2 1



WIRE CHART



- NOTE:
1. OUTER MOLD WITH BLACK PVC RESIN 887800042.
  2. DIELECTRONIC STRENGTH: 500V/0.01S DC
  3. INSULATION RESISTANCE: 100M OHMS MIN.
  4. CONDUCTIVE RESISTOR: 2 OHMS

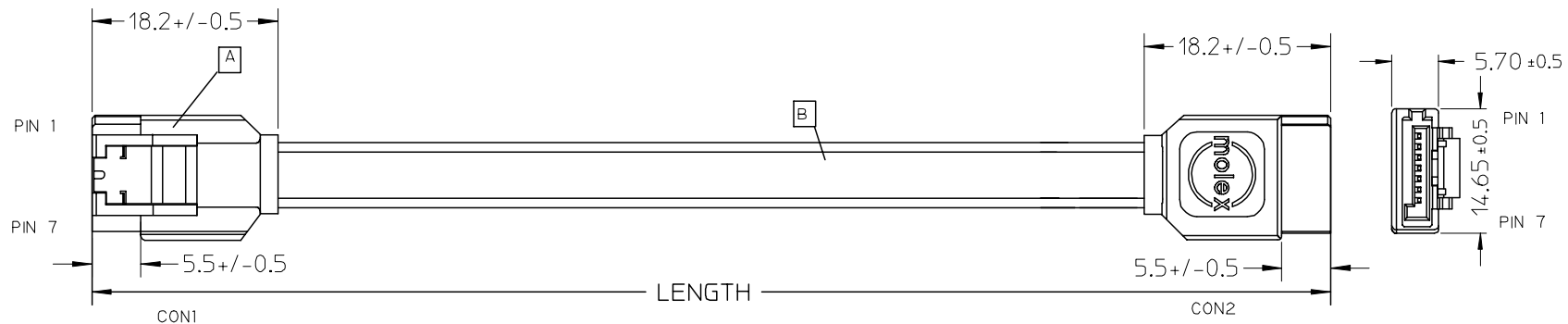
68561-0015	1000+/-20	40.0+/-0.8	S-ATA LATCHING ST TO ST CABLE,1.0M. RED
68561-0014	500+/-10	20.0+/-0.4	S-ATA LATCHING ST TO ST CABLE,0.5M. RED
MOLEX P/N	LENGTH (mm)	LENGTH (inch)	DESCRIPTION

B	S-ATA DATA CABLE RED 887808052	N/A	
A	S-ATA STRAIGHT RECEPTACLE WITH LATCH (Au 30u) 674899002		2
ITEM	DESCRIPTION	L(MM)	QTY.

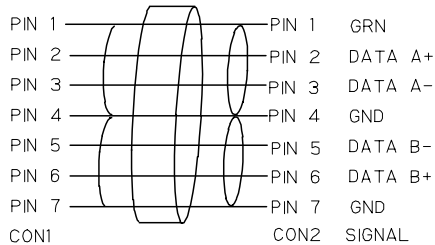
ENTER DESCRIPTION EC NO: DG2005-0009 DRWN: GX YANG CHKD: APPR: BOCHEN 2004/08/11 2004/08/18 2004/08/18	QUALITY SYMBOLS ▽=0 ◻=0	GENERAL TOLERANCES (UNLESS SPECIFIED)		DIMENSION STYLE MM ONLY		SCALE ---	DESIGN UNITS METRIC	THIRD ANGLE PROJECTION	
			mm	INCH	DRAWN BY GX YANG	DATE 04/08/10	TITLE S-ATA ST LATCHING TO ST LATCHING SIGNAL CBL RED,0.5M,1.0M		
		4 PLACES	±---	±---	CHECKED BY TEDDY	DATE 04/08/10			
		3 PLACES	±---	±---	APPROVED BY BORON	DATE 04/08/10	MOLEX INCORPORATED		
2 PLACES	±---	±---	MATERIAL NO. 685610014/5		DOCUMENT NO. SD-68561-001	SHEET NO. 1 OF 1			
1 PLACE	±---	±---	DRAFT WHERE APPLICABLE MUST REMAIN WITHIN DIMENSIONS						
		ANGULAR ±---°		SIZE A/4		THIS DRAWING CONTAINS INFORMATION THAT IS PROPRIETARY TO MOLEX INCORPORATED AND SHOULD NOT BE USED WITHOUT WRITTEN PERMISSION			

6 5 4 3 2 1

7 6 5 4 3 2 1



WIRE CHART



NOTE:  
 1. OUTER MOLD WITH BLACK PVC RESIN 887800042.  
 INNER MOLD WITH PE RESIN 887800008:  
 ELECTRICAL PERFORMANCE:  
 2. DIELECTRONIC STRENGTH:500V/0.01S DC.  
 3. INSULATION RESISTANCE:100M OHMS MIN.  
 4. CONDUCTIVE RESISTOR: 2 OHMS.

68561-0015	1000+/-20	40.0+/-0.8	S-ATA LATCHING ST TO ST CABLE,1.0M, RED
68561-0014	500+/-10	20.0+/-0.4	S-ATA LATCHING ST TO ST CABLE,0.5M, RED
MOLEX P/N	LENGTH (mm)	LENGTH (inch)	DESCRIPTION

B	S-ATA DATA CABLE RED 887808052	
A	S-ATA STRAIGHT RECEPTACLE WITH LATCH (Au 30u) 674899002	2
ITEM	DESCRIPTION	QTY.

ENTER DESCRIPTION EC NO: DG2005-0125 DRWN: JLIU13 2005/04/04 CHKD: TEDDY 2005/04/04 APPR: TKAN 2005/04/04	QUALITY SYMBOLS ▽=0 □=0	GENERAL TOLERANCES (UNLESS SPECIFIED)		DIMENSION STYLE	SCALE	DESIGN UNITS	THIRD ANGLE PROJECTION	
			mm	INCH	MM ONLY	---	METRIC	
		4 PLACES	±---	±---	DRAWN BY	DATE	TITLE	
		3 PLACES	±---	±---	JLIU13	2005/04/04	S-ATA ST TO ST WITH LATCH RED CABLE ASS'Y	
2 PLACES	±---	±---	CHECKED BY	DATE	MATERIAL NO.			
1 PLACE	±---	±---	TEDDY	2005/04/04	685610014			
ANGULAR ±---°		DRAFT WHERE APPLICABLE MUST REMAIN WITHIN DIMENSIONS		APPROVED BY	DATE	DOCUMENT NO.		
				BORON	2005/04/04	SD-68561-0014		
				SIZE	THIS DRAWING CONTAINS INFORMATION THAT IS PROPRIETARY TO MOLEX INCORPORATED AND SHOULD NOT BE USED WITHOUT WRITTEN PERMISSION			
				A/4				
						SHEET NO. 1 OF 1		

6 5 4 3 2 1