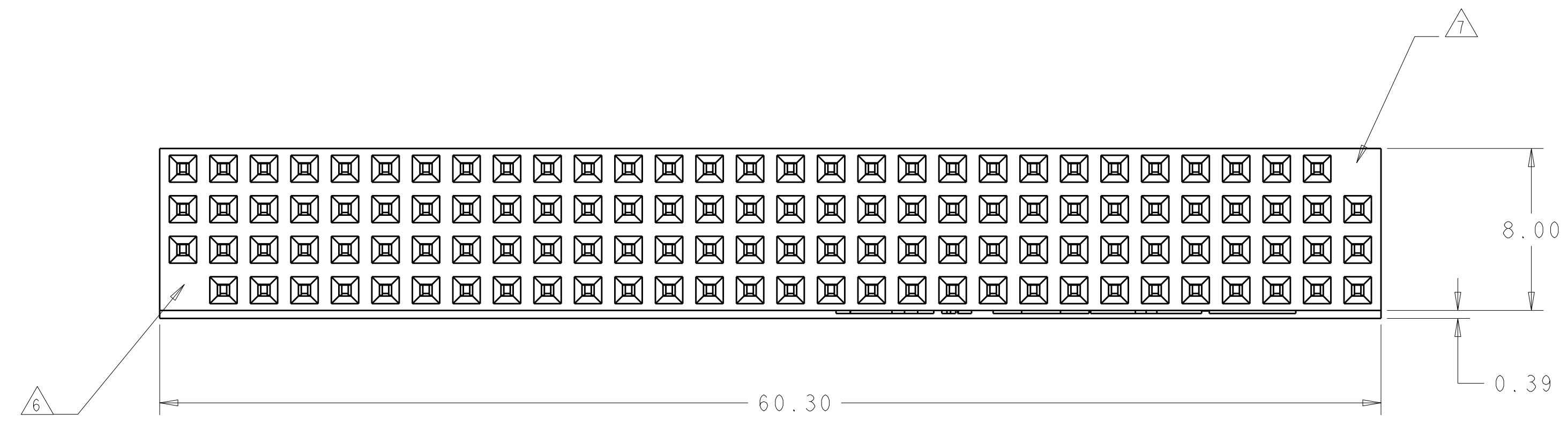
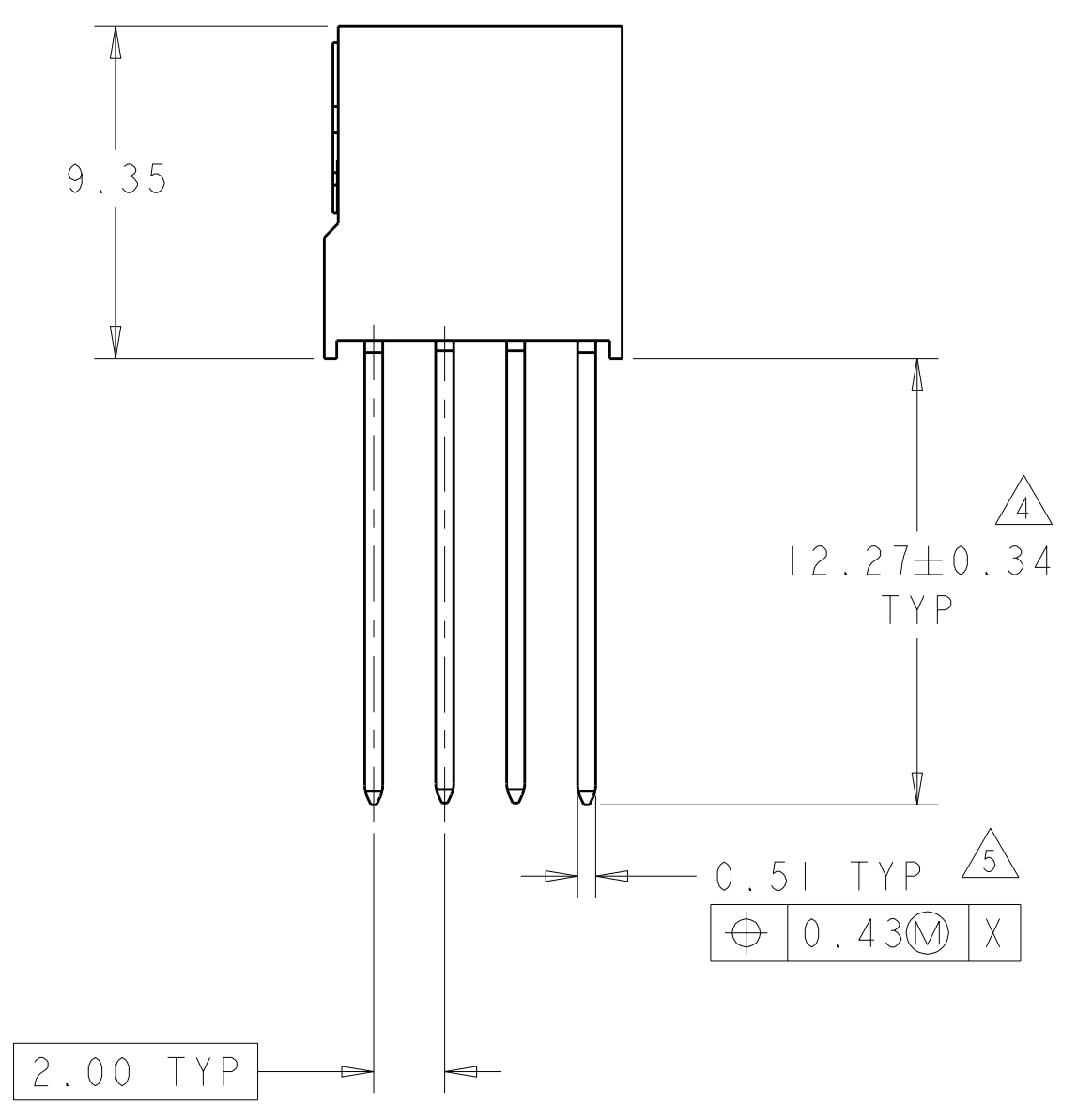
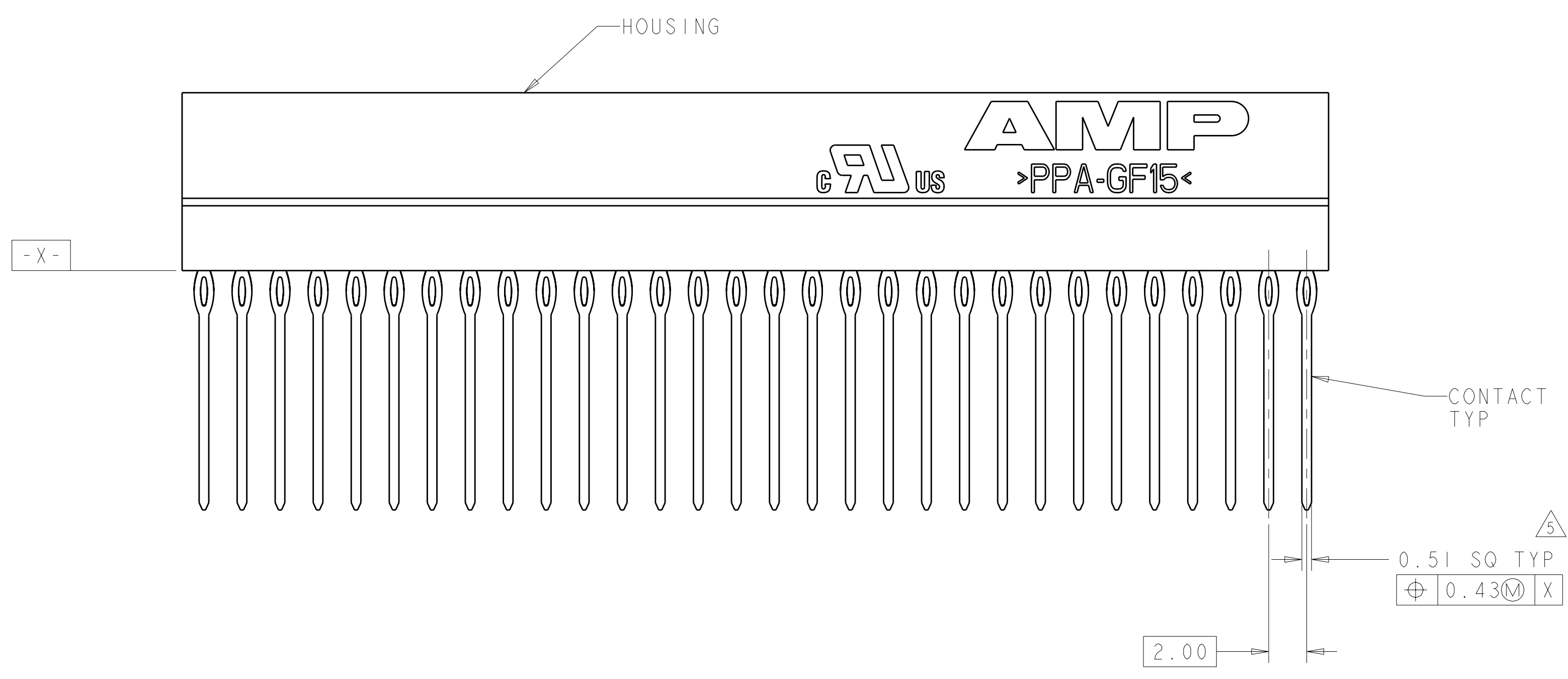


LOC	DIST	REV	DATE	BY	CHKD	APVD
A1	-	H2	23MAR2011	RK	HMR	



- ① HOUSING: HIGH TEMPERATURE, GLASS FILLED NYLON, COLOR: BLACK. CONTACTS: PHOSPHOR BRONZE.
- ② CONTACTS: 0.000381 MIN GOLD ON MATING RECEPTACLE END, 0.000130 MIN GOLD ON REMAINDER, ALL OVER 0.001270 NICKEL.
- ③ PCB HOLE RECOMMENDATIONS:
 A. DRILL HOLE DIAMETER TO BE 1.00±0.02.
 B. PLATING TO BE 0.005 MIN TIN-LEAD OVER 0.025-0.075 COPPER.
 C. RECOMMENDED FINISH HOLE SIZE IS 0.88±0.08.
- ④ DIMENSION AFTER SEATING TO PCB.
- ⑤ POSITION TOLERANCE APPLIES AFTER CONNECTOR IS PRESSED ONTO PC BOARD.
- ⑥ NO CONTACT IN THIS POSITION FOR PART NUMBER 1375799-2 ONLY.
- ⑦ NO CONTACT IN THIS POSITION FOR PART NUMBER 1375799-3 ONLY.
- ⑧ CONTACT FINISH: 0.000381 MIN GOLD ON MATING RECEPTACLE END, 0.00254-0.00508 TIN ON COMPLIANT AREA, 0.000130 MIN GOLD ON REMAINDER, ALL OVER 0.001270 NICKEL.
- ⑨ TO BE USED ON SILVER IMMERSION PLATED PCB'S (NOTE 10).
- ⑩ PCB HOLE RECOMMENDATIONS FOR SILVER IMMERSION PLATING:
 A. DRILL HOLE DIAMETER TO BE 1.04±0.02.
 B. PLATING TO BE 0.0001524-0.0004064 SILVER OVER 0.0508±0.0254 COPPER.
 C. RECOMMENDED FINISH HOLE SIZE IS 0.94-1.03.
- ⑪ PCB HOLE RECOMMENDATIONS FOR ENIG PLATING:
 A. DRILL HOLE DIAMETER TO BE 1.04±0.02.
 B. PLATING TO BE 0.000051-0.000127 GOLD OVER 0.00305-0.00610 NICKEL ALL OVER 0.0508±0.0254 COPPER.
 C. RECOMMENDED FINISH HOLE SIZE IS 0.94-1.03.
- ⑫ TO BE USED ON STANDARD PCB (NOTE 3) OR ENIG PLATED PCB (NOTE 11).
- ⑬ OBSOLETE PARTS: OBSOLETE CIS STREAMLINING PER D.RENAUD/D.SINISI



REV	DESCRIPTION	DATE	BY	CHKD	APVD
⑧	YES ⑦				
⑧	YES ⑥				
⑧	NO				
②	YES ⑦				
②	YES ⑥				
②	NO				
FINISH	KEYED CIRCUITS	PART NO			

THIS DRAWING IS A CONTROLLED DOCUMENT.

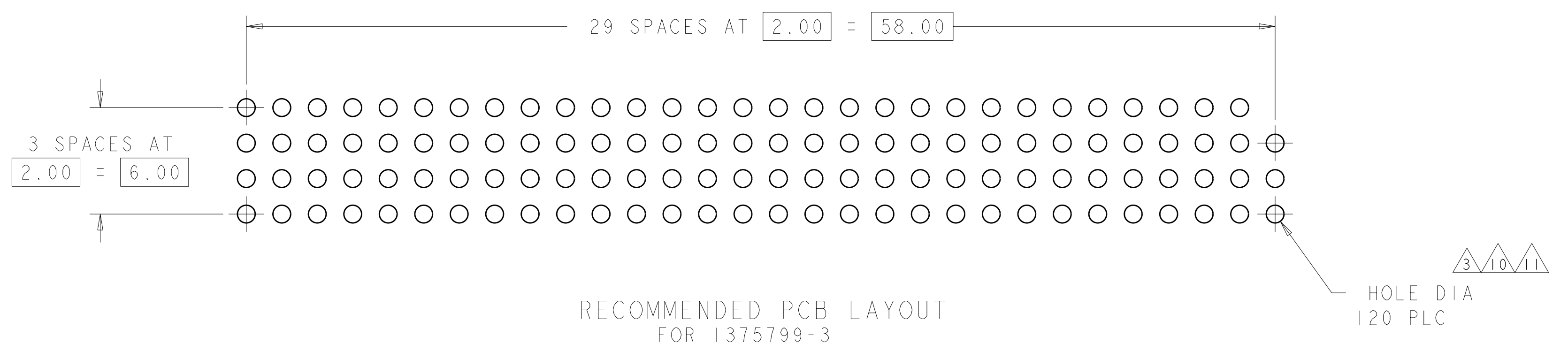
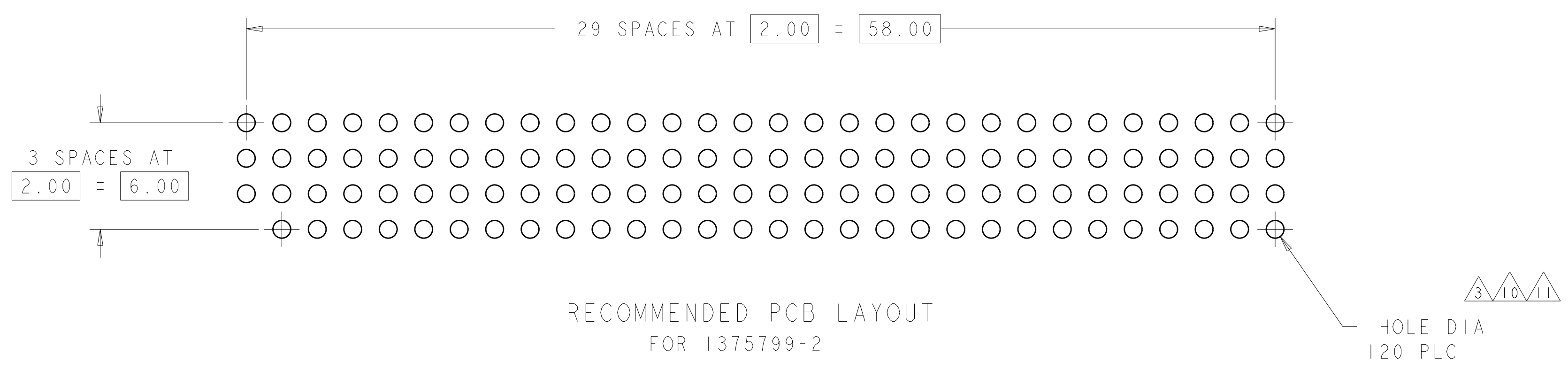
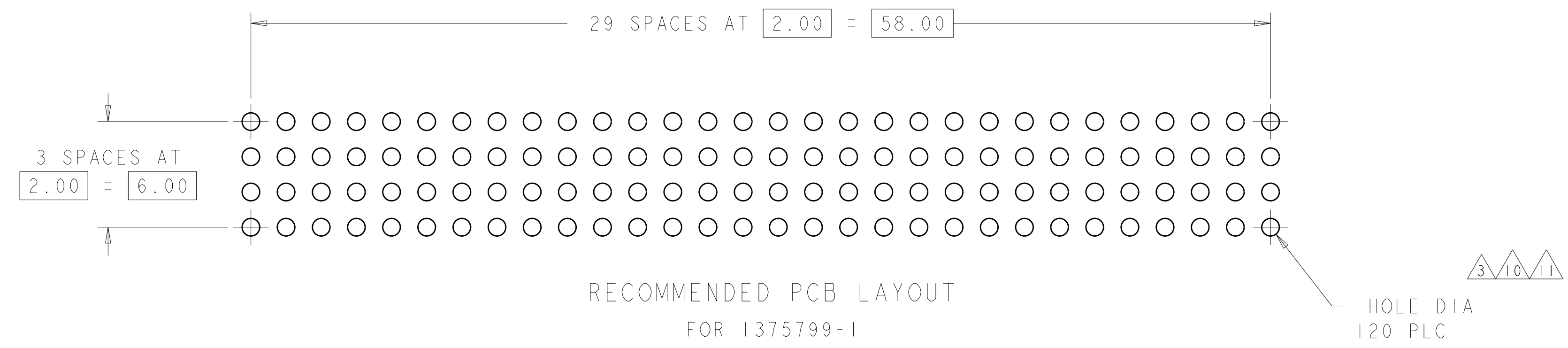
DRW: W.G. LENKER 20JUN2000
 CHK: L. BREKOSKY 15JAN2001
 APVD: J. OLSON 13JAN2001

STE TE Connectivity

ASSEMBLY, PC/104-PLUS, STACKTHROUGH CONTACTS, PRESS FIT

SCALE: 5:1 SHEET 1 OF 2 REV: H2

LOC	DIST	REV	DATE	BY	APPD
A1	-	-	-	-	-
DESCRIPTION			DATE	DWN	APPD
SEE SHEET 1			-	-	-



THIS DRAWING IS A CONTROLLED DOCUMENT.		DWN W.G. LENKER 20JUN2000	TE Connectivity	
DIMENSIONS: mm		CHK L. BREKOSKY 15JAN2001		
TOLERANCES UNLESS OTHERWISE SPECIFIED:		APVD J. OLSON 13JAN2001	NAME ASSEMBLY, PC/104-PLUS, STACKTHROUGH CONTACTS, PRESS FIT	
0 PLC ± 1 PLC ±0.13 2 PLC ± 3 PLC ± 4 PLC ± ANGLES ± FINISH		PRODUCT SPEC 108-1956	SIZE CAGE CODE DRAWING NO RESTRICTED TO	
MATERIAL		APPLICATION SPEC 114-13021	A100779C-1375799	
CUSTOMER DRAWING		WEIGHT	SCALE 5:1 SHEET 2 OF 2 REV H2	