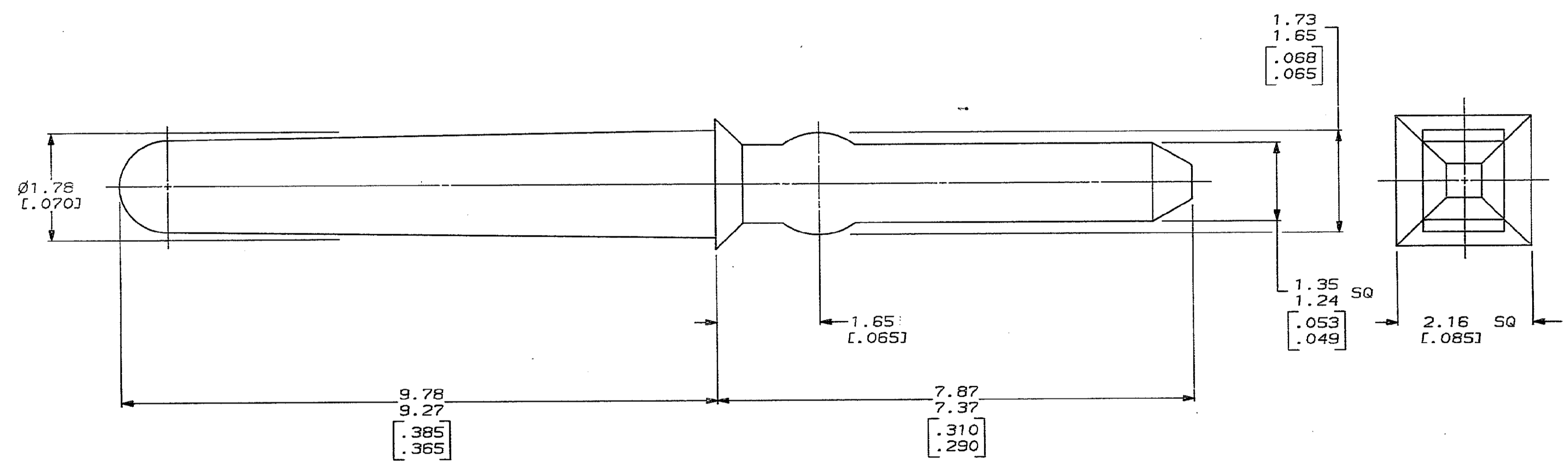


DRAWING MADE IN THIRD ANGLE PROJECTION
 THIS DRAWING IS UNPUBLISHED. RELEASED FOR PUBLICATION
 © COPYRIGHT 19 BY AMP INCORPORATED. ALL INTERNATIONAL RIGHTS RESERVED.

LOC	DIST	P	F	ZONE	LTR	REVISIONS	DATE	APPD
CM	54					REV AND REDWN PER ECN CM-11	3-22-91	TB

1. DIMENSIONS IN BRACKETS ARE IN INCHES.



640630-1
PART NO

DO NOT SCALE PRINT. UNLESS SPECIFIED DIMENSIONS IN mm [INCHES] TOLERANCES ON: 2 PLC DEC ± - 3 PLC DEC ± 0.13 [0.005] ANGLES ± -		DR <i>Berk</i> 3-27-91	AMP AMP Incorporated Harrisburg, PA 17105-3608	
MATERIAL NYLON, 6/6 NATURAL	APPD <i>D. Miller</i> 4-3-91	CHK <i>A. Smith</i> 3-27-91	NAME KEYING PLUG, MTA156	
FINISH -	APPLICATION SPEC -	PRODUCT SPEC -	SIZE C	CAGE CODE 00779
	WEIGHT -		DRAWING NO 640630	SHEET 1 OF 1

METRIC