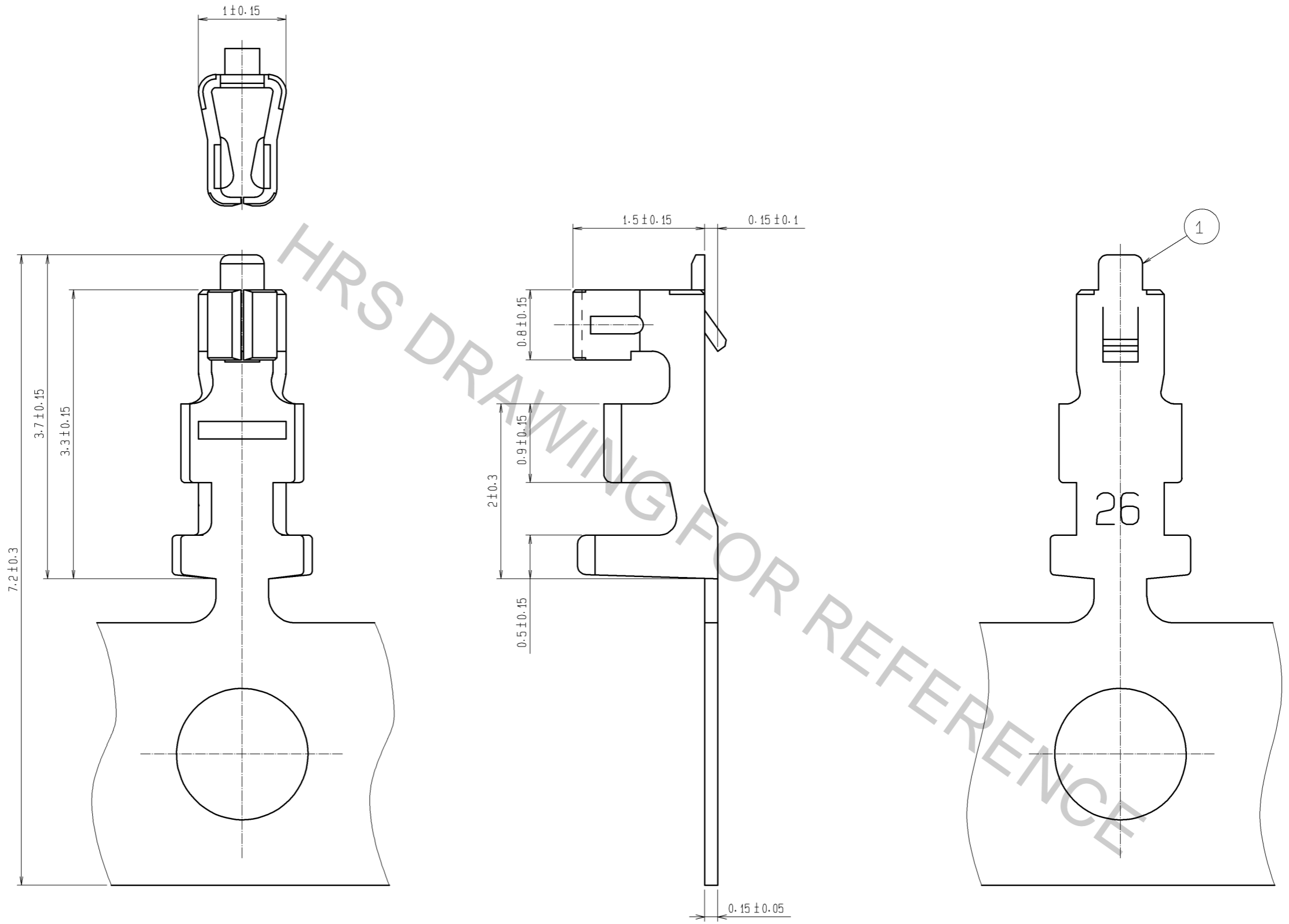


Apr.1.2017 Copyright 2017 HIROSE ELECTRIC CO., LTD. All Rights Reserved.



NOTES 1: APPLICABLE WIRE : 26 - 30 AWG
 OUTER DIAMETER : $\phi 0.65 - \phi 1.0$ mm
 2: 10000 CONTACTS/REEL

NO.		MATERIAL		FINISH . REMARKS		1 PHOSPHOR BRONZE		TIN PLATING 1 μ m min \triangle		
UNITS mm		\oplus ∇		SCALE 20: 1	COUNT \triangle 1	DESCRIPTION OF REVISIONS DIS-H-006608		DESIGNED HT. SATO	CHECKED HK. UMEHARA	DATE 12. 02. 16
HRS HIROSE ELECTRIC CO., LTD.		APPROVED : KI. AKIYAMA		12. 02. 16		DRAWING NO.		EDC3-162517-01		
		CHECKED : HK. UMEHARA		12. 02. 16		PART NO.		DF13G-2630SCF		
		DESIGNED : HT. SATO		12. 02. 16		CODE NO.		CL536-0643-1-00		
		DRAWN : HT. SATO		12. 02. 16						