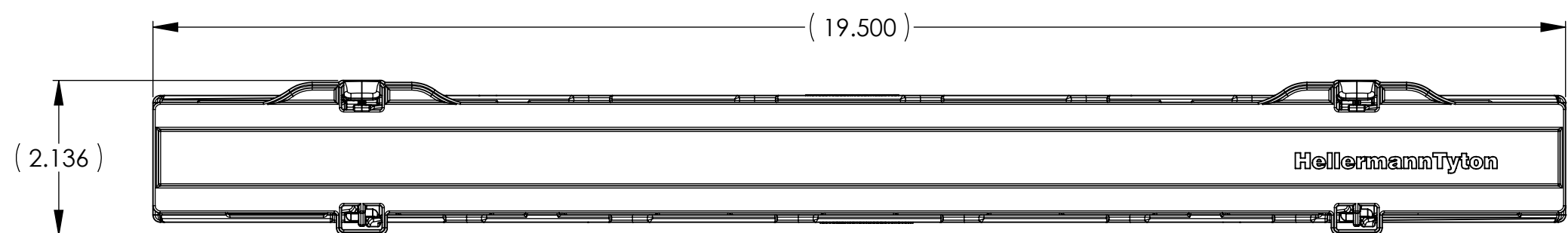
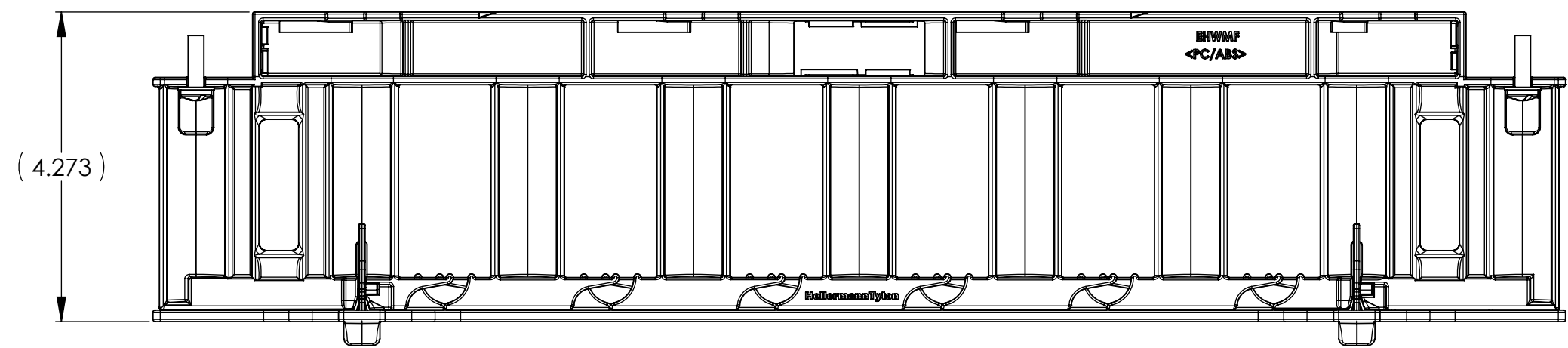
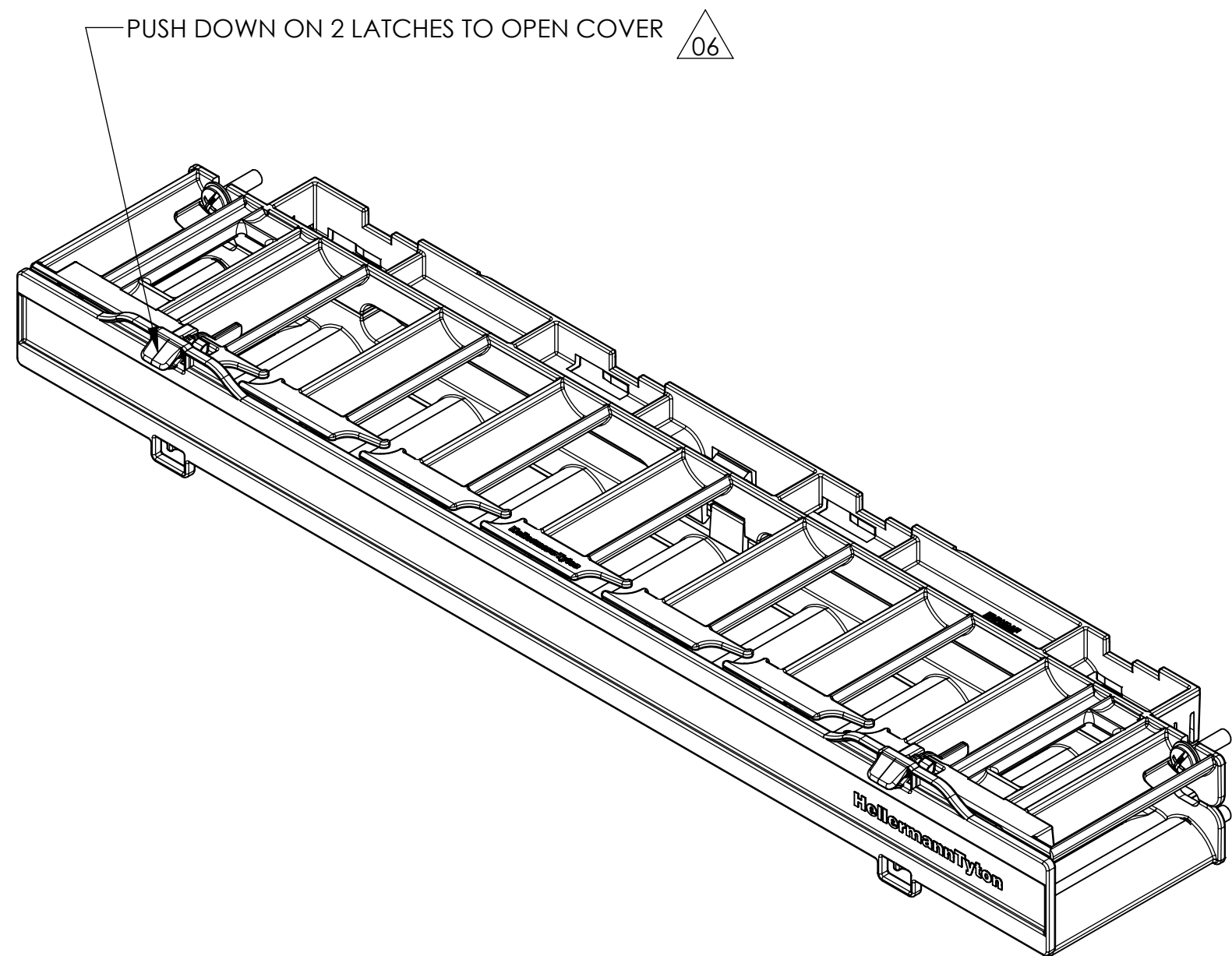


BACK VIEW



INVENTORS

**HellermannTyton®**

ALL PROPRIETARY RIGHTS IN THE SUBJECT MATTER SHOWN ON THIS DRAWING ARE EXCLUSIVE PROPERTY OF HELLERMANNTYTON

name	date	city, state

NOTES

- 1) FITS 1U SPACE IN A STANDARD COMM. RACK.
- 2) COVER HINGES FROM THE BOTTOM.
- 3) RADIUS EDGES PROVIDE SMOOTH LEAD-IN OF CABLES.
- 4) (4) #12-24 X 3/4" PH HD SCREWS & WASHERS PROVIDED. 06

REVISION

level	<span style="border: 1px solid black; padding: 2px;">06</span>
by	AAC
date	09/22/2008
ECN #	011121
part level	-

DIMENSIONS

.XXXX = ±.0005
.XXX = ±.005
.XX = ±.01
.X = ±.03
∠ = ±0.5°
unless otherwise specified
units inches

PART

number	EHWMN1	phase	Production
name MOLDED WIRE MANAGER 1U HORIZONTAL			
material PC/ABS BLACK			

DRAWING

format	C	CAD	SW 2007	scale	1:2
computer file name	DT2017005CST_06		previous drawing number		
drawn	P. NIEDFELDT	checked	KAC	approved	
date	05/16/2003	checked	09/22/2008	approved	
type	Customer	sheet 1 of 1			
number	<b>DT2017005CST</b>				