


Sensor/Actuator cable - SAC-HZ-5P-MR/0,5-542/FS SCO BK - 1409622

Please be informed that the data shown in this PDF Document is generated from our Online Catalog. Please find the complete data in the user's documentation. Our General Terms of Use for Downloads are valid (<http://phoenixcontact.com/download>)

Sensor/Actuator cable, 5-position, PVC, yellow, Plug angled M12 SPEEDCON, A-coded, on Socket straight M12 SPEEDCON, A-coded, Cable length: 0.5 m



Key Commercial Data

| | |
|------------------------|---|
| Packing unit | 1 STK |
| Minimum order quantity | 10 STK |
| GTIN |  4 055626 018621 |
| GTIN | 4055626018621 |

Technical data

Dimensions

| | |
|-----------------|-------|
| Length of cable | 0.5 m |
|-----------------|-------|

Ambient conditions

| | |
|---------------------------------|----------------------------------|
| Ambient temperature (operation) | -25 °C ... 90 °C (Plug / socket) |
| Degree of protection | IP65 |
| | IP67 |
| | IP68 |

General

| | |
|------------------------------|---|
| Note | These cable assemblies are UL/cUL listed for use in Class I, Division 2 (CID2) hazardous locations. |
| Number of positions | 5 |
| Coding | A - standard |
| Standards/regulations | M12 connector IEC 61076-2-101 |
| Status display | No |
| Protective circuit/component | Unwired |
| Overvoltage category | II |
| Degree of pollution | 3 |

Sensor/Actuator cable - SAC-HZ-5P-MR/0,5-542/FS SCO BK - 1409622

Technical data

General

| | |
|--------|------------------------|
| Torque | 0.4 Nm (M12 connector) |
|--------|------------------------|

Material

| | |
|--|---|
| Flammability rating according to UL 94 | HB |
| Contact material | CuSn |
| Contact surface material | Ni/Au |
| Contact carrier material | TPU GF |
| Material of grip body | TPU, hardly inflammable, self-extinguishing |
| Material, knurls | Zinc die-cast, nickel-plated |

Standards and Regulations

| | |
|--|------------------------------------|
| Standard designation | M12 connector |
| Standards/regulations | IEC 61076-2-101 |
| Flammability rating according to UL 94 | HB |
| UL, USA/Canada | Class I, Div. 2, Groups A, B, C, D |

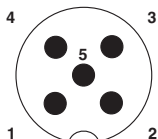
Cable

| | |
|---|---|
| Cable type | PVC yellow 105 °C |
| Cable type (abbreviation) | 542 |
| UL AWM style | 2517 (105 °C / 300 V) |
| AWG signal line | 22 |
| Core diameter including insulation | 1.27 mm ±0.03 mm |
| Wire colors | Brown, blue, black, white, gray |
| Overall twist | 5 wires around filler to the core |
| External sheath, color | yellow |
| External cable diameter D | 5.4 mm ±0.2 mm |
| Minimum bending radius, flexible installation | 8 x D |
| Cable weight | 43 kg/km |
| Outer sheath, material | PVC |
| Material, filler | PP |
| Material conductor insulation | PVC |
| Conductor material | Tin-plated Cu litz wires |
| Insulation resistance | ≥ (550 M Ohms/m @ 500V) |
| Conductor resistance | max. 50.5 Ω/km (20° C) |
| Nominal voltage, cable | 300 V |
| Special properties | UL standards PLTC and ITC |
| Flame resistance | FT4 |
| Other resistance | UV resistant |
| Ambient temperature (operation) | -30 °C ... 105 °C (cable, fixed installation) |

Drawings

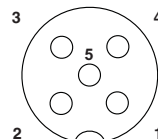
Sensor/Actuator cable - SAC-HZ-5P-MR/0,5-542/FS SCO BK - 1409622

Schematic diagram



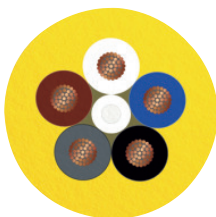
Pin assignment M12 male connector, 5-pos., A-coded, male side

Schematic diagram



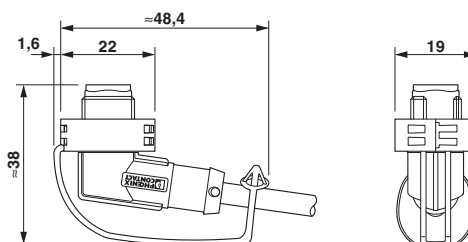
Pin assignment M12 socket, 5-pos., B-coded, female side

Cable cross section



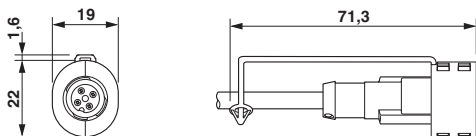
PVC yellow 105 °C [542]

Dimensional drawing



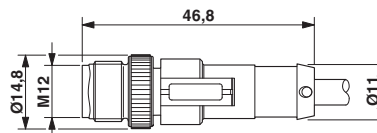
EXCLIP mounted plug

Dimensional drawing



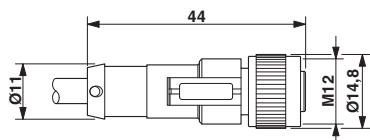
EXCLIP mounted plug

Dimensional drawing



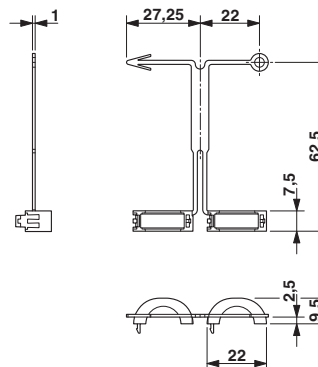
Plug, M12 x 1, straight, shielded

Dimensional drawing



M12 x 1 socket, straight

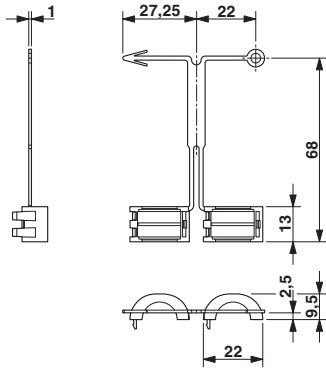
Dimensional drawing



EXCLIP plug

Sensor/Actuator cable - SAC-HZ-5P-MR/0,5-542/FS SCO BK - 1409622

Dimensional drawing



Circuit diagram



Contact assignment of the M12 plug and the M12 socket

EXCLIP socket

Phoenix Contact 2017 © - all rights reserved
<http://www.phoenixcontact.com>

PHOENIX CONTACT GmbH & Co. KG
Flachsmarktstr. 8
32825 Blomberg
Germany
Tel. +49 5235 300
Fax +49 5235 3 41200
<http://www.phoenixcontact.com>