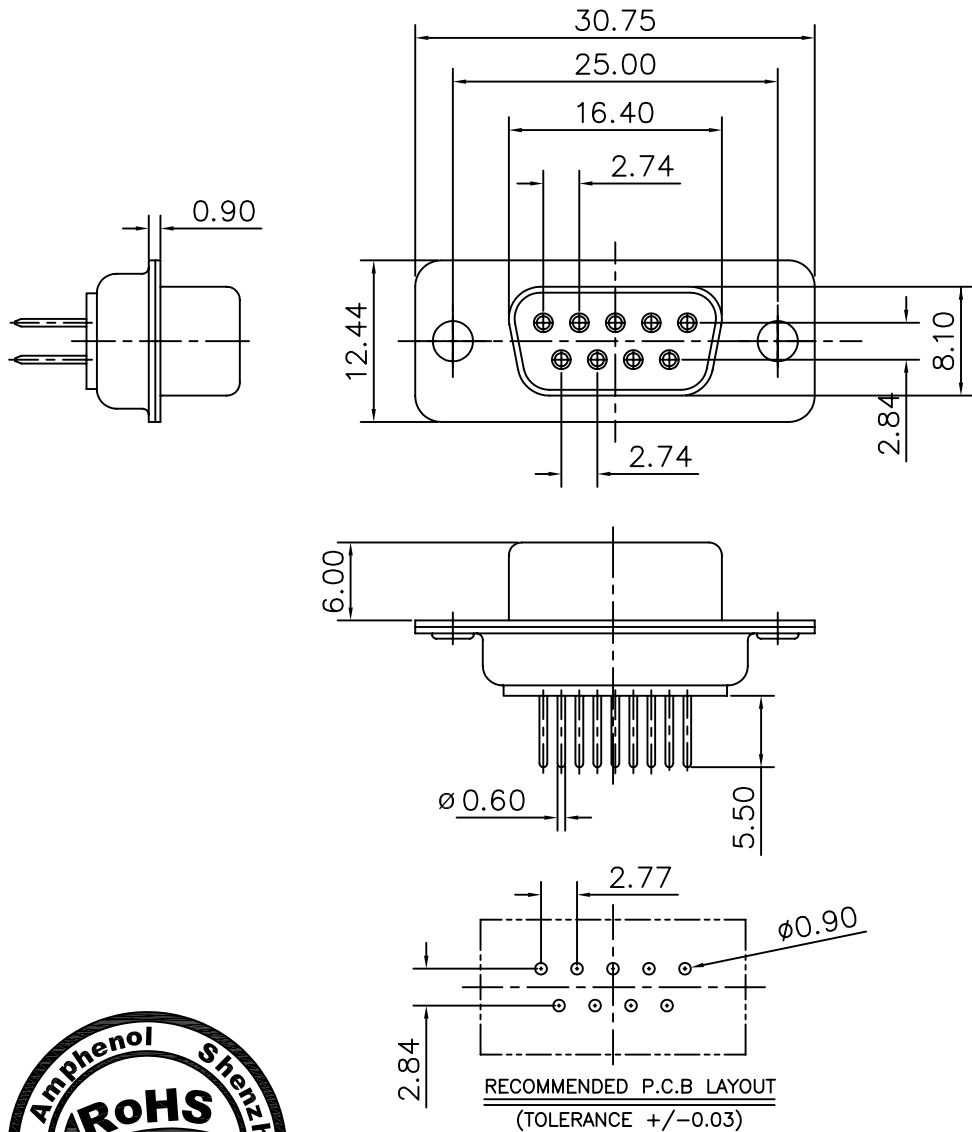


A
B
C
D
E



TECHNICAL DATA

D-SUBMINIATURE CONNECTORS

SHELL : Steel
 Finish : Tinned over nickel
 BODY : Glass filled thermoplastic.
 Flame retardant to UL94 V-0
 Color : Black
 CONTACTS : Material for socket : Phopher bronze
 Finish of contact: Gold plating over Nickel

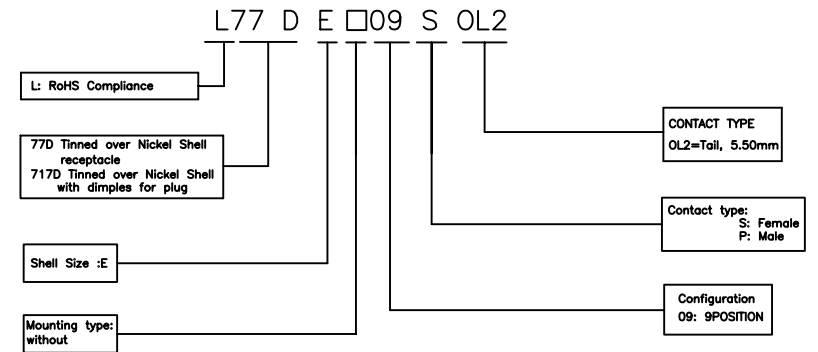
ELECTRICAL : Voltage rating 300 V Rms to 50 Hz
 Nominal current 5.0 A
 Withstanding Voltage >1000 V Rms to 50 Hz
 Contact resistance 50 mOhms max.
 Insulator resistance >5000 M Ohms

CLIMATIC : Temperature range -55 °C up to 155 °C
 Damp heat 56 days(40°C-95% HR)
 Other climatic specification in accordance with
 NF C93-425 Sheet HE507

MACHANICAL : Insertion force per contactF<3.4N(Size 20)
 Extraction force per contact 0.4N Min..(Size 20)
 Mating and unmating force size E 30N Max.3.0 N min..

MARKING : Amphenol-...(Series No.)
 Commercial referance
 Manufacturing date

PRODUCT CODE



Amphenol

TOL. GEN.: +/-0.30

VOLUME:

AREA:

PLATING:

TREATMENT:

MATERIAL:

SERIES
 NUMBER SERIES
 017F
 DATE
 2006.12.11

DESIGNATION
 D-SUB CONNECTOR

CUSTOMER	MODIFICATIONS	DRAW	DATE	APPROVE	IND.
PART NUMBER		L77DE09SOL2			

origin drawing Lik 12/11/06 Stefan A