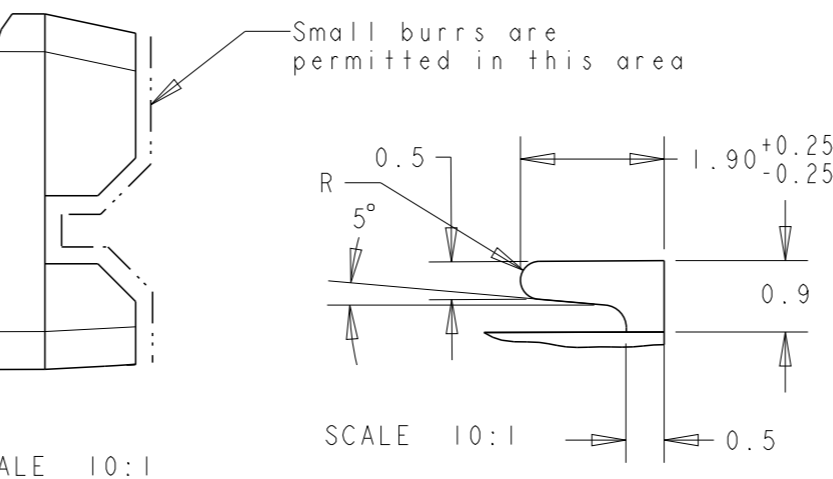
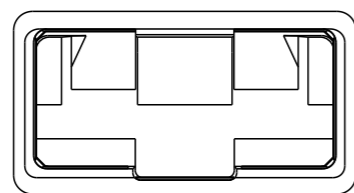
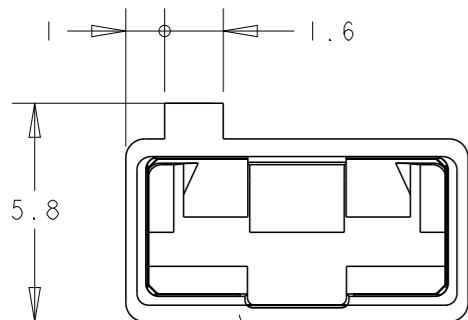


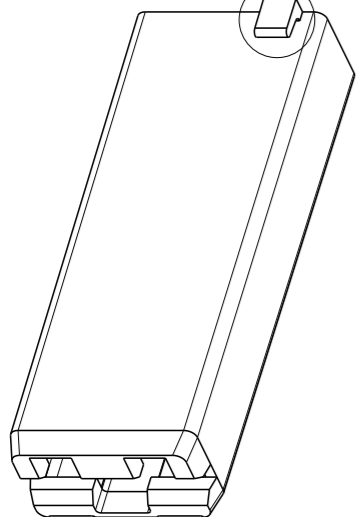
- 1 SUITABLE FOR TERMINAL 336074 336075, 336076 AND 1644008
- 2 TE LOGO, CAN BE PRESENT ON ONE OF THE INDICATED AREAS
- 3 CAVITY ID NUMBER, CAN BE PRESENT ON ONE OF THE INDICATED AREAS
- 4 9mm WIDTH ALONG 15mm.
- 5 P/N 2-1644125-6 IS A PRELIMINARY PART - NOT RELEASED FOR PRODUCTION



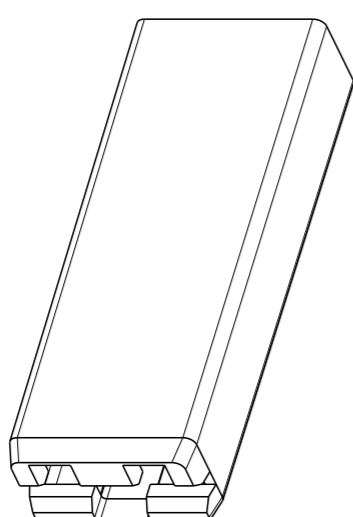
SCALE 10:1

VERSION WITH POLARIZATION (SEE TABLE)

VERSION WITHOUT POLARIZATION (SEE TABLE)



SCALE 3:1



SCALE 3:1

NO	BLACK	PA 6/6 V2	3-1644125-0
NO	NATURAL	PA 6/6 V2	2-1644125-9
NO	NATURAL	PA 6 V0 GWT 750°C WITHOUT FLAME	2-1644125-8
NO	BLUE	PA 6 V2 GWT 750°C WITHOUT FLAME	2-1644125-7
NO	NATURAL	PP V2 GWT 750°C WITHOUT FLAME	2-1644125-6
NO	NATURAL	PA 6 V2 GWT 750°C WITHOUT FLAME	2-1644125-5
YES	BLACK	PA6/6 V0 FOR HIGH TEMPERATURE	9-1644125-5
YES	DARK GREY	PA 6 V2 GWT 750°C WITHOUT FLAME	2-1644125-4
NO	BLACK	PA6/6 V0 FOR HIGH TEMPERATURE	9-1644125-4
NO	DARK GREY	PA 6 V2 GWT 750°C WITHOUT FLAME	2-1644125-3
POLARIZATION		COLOR	MATERIAL
			PN

THIS DRAWING IS A CONTROLLED DOCUMENT.

DWN 31-Aug-04

J. Saló

CHK 1-Sep-04

L. Lázaro

APVD -

NAME

PRODUCT SPEC

108-22149, 108-20336 (2--6)

108-22072 (9--4, 9--5)

APPLICATION SPEC

114-22019

WEIGHT -

Customer Drawing



TE Connectivity

6,35 E-SPRING SLEEVE
PROTECCION PARA 6,35 E-SPRING

SIZE CAGE CODE DRAWING NO RESTRICTED TO

A300779 C-1644125 -

SCALE 3:1 SHEET 1 OF 1 REV E4

DIMENSIONS: mm		TOLERANCES UNLESS OTHERWISE SPECIFIED:	
	0 PLC	±0.2	
	1 PLC	±0.2	
	2 PLC	±0.2	
	3 PLC	±0.2	
	4 PLC	±0.2	
	ANGLES	±1°	
	FINISH	-	
MATERIAL		SEE TABLE	