

| DASH NO | DESCRIPTION                | DASH NO | DESCRIPTION                                 |
|---------|----------------------------|---------|---|
| -1      | TERM (NO CHAIN)            | -12     | TERM WITH 2.5 JACKETED STAINLESS STEEL ROPE |
| -2      | TERM WITH 2.5 BRASS CHAIN  | -13     | TERM WITH 3.0 JACKETED STAINLESS STEEL ROPE |
| -3      | TERM WITH 2.5 NYLON CHAIN  | -14     | TERM WITH 6.0 JACKETED STAINLESS STEEL ROPE |
| -4      | TERM WITH 3.0 BRASS CHAIN  | -15     | TERM WITH 4.0 JACKETED STAINLESS STEEL ROPE |
| -5      | TERM WITH 3.0 NYLON CHAIN  | -16     | TERM WITH 7.0 JACKETED STAINLESS STEEL ROPE |
| -6      | TERM WITH 6.0 BRASS CHAIN  | -17     | TERM WITH 4.5 JACKETED STAINLESS STEEL ROPE |
| -7      | TERM WITH 6.0 NYLON CHAIN  |         |   |
| -8      | TERM WITH 4.0 BRASS CHAIN  |         |   |
| -9      | TERM WITH 4.0 NYLON CHAIN  |         |   |
| -10     | TERM WITH 10.0 BRASS CHAIN |         |   |
| -11     | TERM WITH 10.0 NYLON CHAIN |         |   |

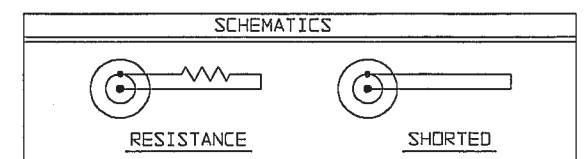
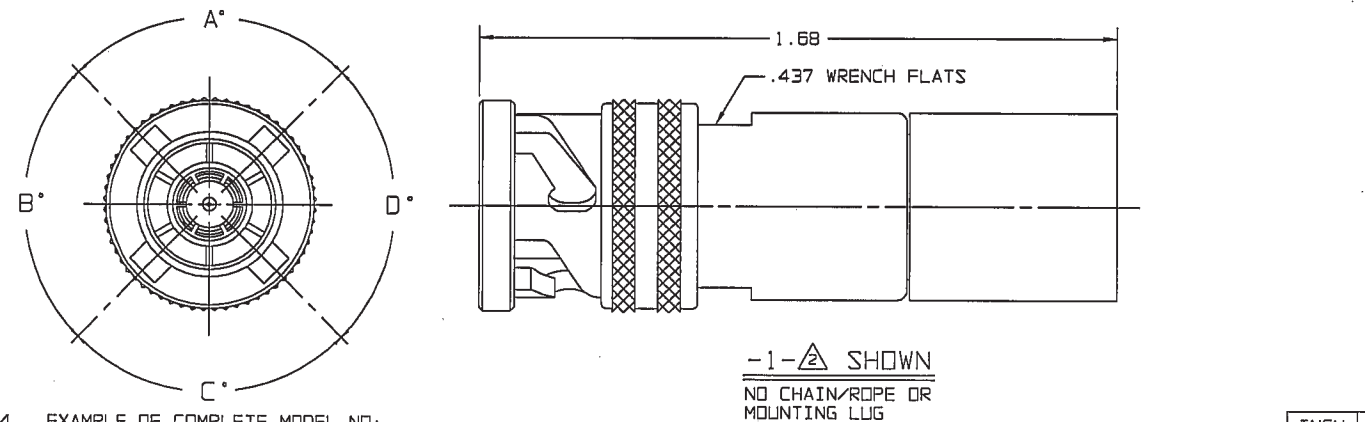
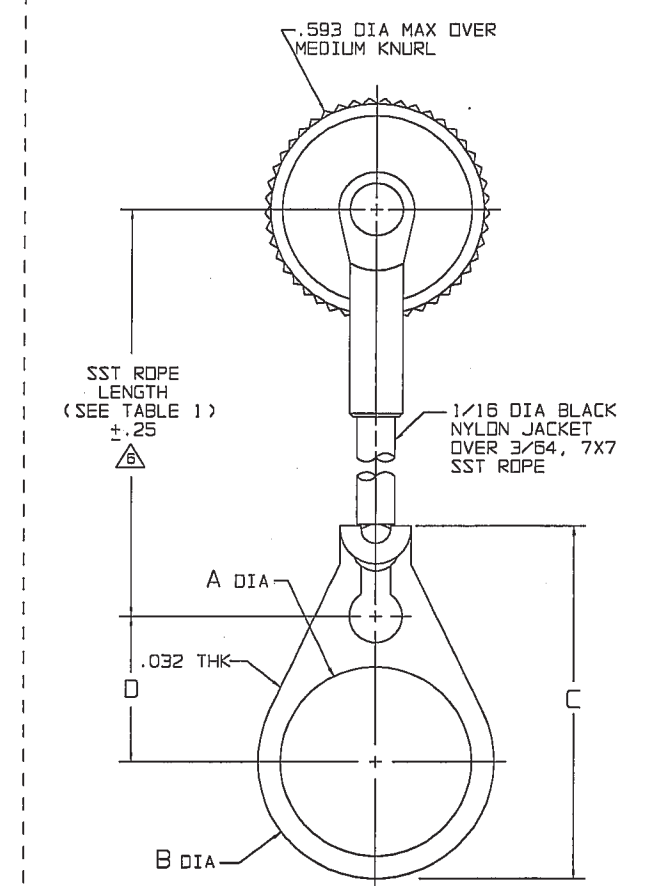
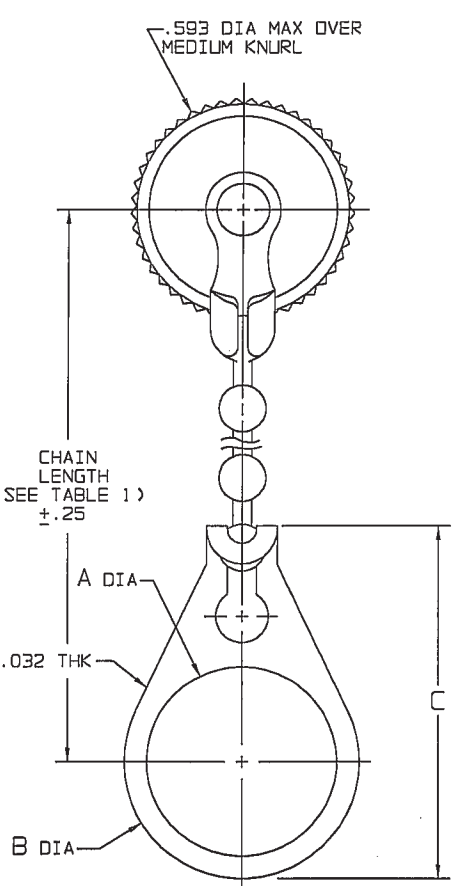
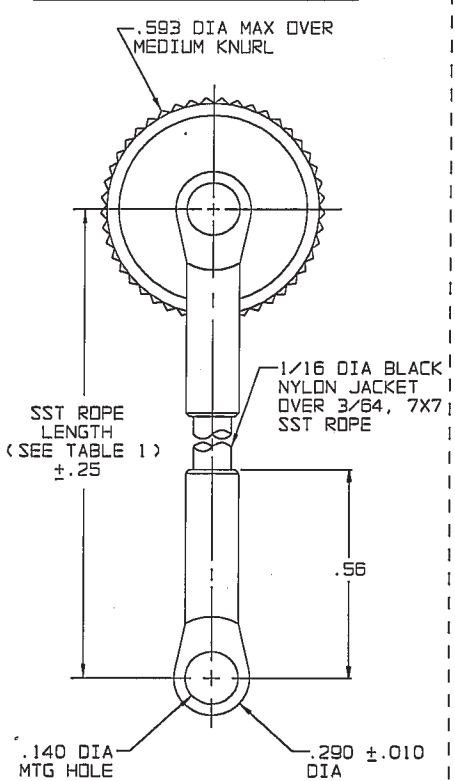
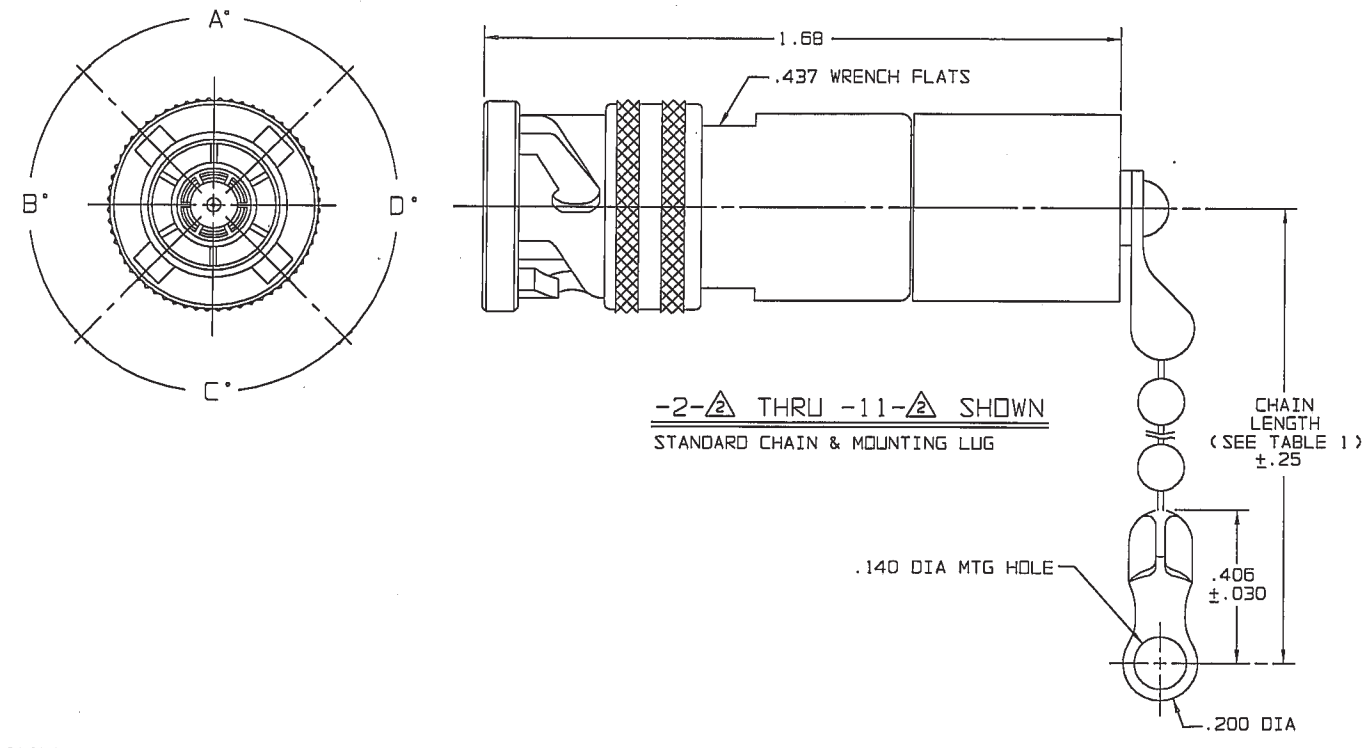
| MODEL NO | TYPE CONN | POLARIZATION |          |          |          |
|----------|-----------|--------------|----------|----------|----------|
|          |           | A DEGREE     | B DEGREE | C DEGREE | D DEGREE |
| TNG1     | 3 LUG     | 120°         | 120°     | 120°     | —        |
| TNGFL1   | 4 LUG     | 90°          | 90°      | 90°      | 90°      |
| TNGTL1   | 2 LUG     | 180°         | 180°     | —        | —        |
| TNG1T    | 3 LUG     | 100°         | 150°     | 110°     | —        |
| TNG1U    |           | 120°         | 130°     | 110°     | —        |
| TNG1V    |           | 115°         | 130°     | 115°     | —        |
| TNG1W    |           | 125°         | 110°     | 125°     | —        |
| TNG1X    |           | 130°         | 100°     | 130°     | —        |
| TNG1Y    |           | 110°         | 140°     | 110°     | —        |
| TNG1Z    |           | 100°         | 160°     | 100°     | —        |
| TNG1S    |           | 135°         | 135°     | 90°      | —        |

| DASH NO | "A" DIA | "B" DIA | "C" DIM | "D" DIM |
|---------|---------|---------|---------|---------|
| -D1     | .755    | .875    | 1.191   | .512    |
| -D2     | .630    | .750    | 1.066   | .450    |
| -D3     | .505    | .625    | .941    | .388    |
| -D4     | .439    | .562    | .878    | .355    |
| -D5     | .380    | .500    | .816    | .325    |
| -D6     | .317    | .437    | .753    | .295    |
| -D7     | .281    | .406    | .722    | .278    |
| -D8     | .610    | .750    | 1.066   | .450    |
| -D9     | .567    | .687    | 1.003   | .419    |
| -DD8    | .330    | .450    | .766    | .300    |

DATA CONTAINED IN THIS DOCUMENT IS PROPRIETARY TO TROMPETER ELECTRONICS INC. AND SHALL NOT BE DISCLOSED, COPIED OR USED FOR PROCUREMENT OR MANUFACTURE WITHOUT EXPRESS WRITTEN PERMISSION OF TROMPETER ELECTRONICS INC.

| REVISIONS |                        | 310-0033 | SH 1C    |
|-----------|------------------------|----------|----------|
| REV       | DESCRIPTION            | DATE     | APPROVED |
| AF        | REVISED PER ECO #14443 | 3-5-02   | MM       |

**RED INDICATES ORIGINAL**



4. EXAMPLE OF COMPLETE MODEL NO:  
 TNG1 T -3- 2 -D2  
 BASIC MODEL NO (SEE TABLE 2)  
 BULKHEAD JACK MOUNTING LUG (OPTIONAL) ONLY AVAILABLE WITH BRASS OR NYLON CHAIN OR SST ROPE (SEE TABLE 3)  
 DASH NO, FOR CHAIN/ROPE MATL & LENGTH (SEE TABLE 1)  
 NOTE THAT LENGTH FOR SST ROPE WITH MOUNTING LUG OPTION IS NOT MEASURED TO CENTER OF BULKHEAD MOUNTING LUG  
 POLARIZATION LETTER; NONE REQUIRED FOR STANDARD POLARIZATION LETTER CODE (SEE TABLE 2)  
 3. 2, 3 & 4 LUG CONCENTRIC TWINAX/TRIAX TERMINATION PLUG WITH CHAIN, SST ROPE AND MOUNTING LUG OPTIONS  
 2. RESISTANCE VALUE IN OHMS, 1/2W, 1%  
 "S" = CONTACT SHORTED TO INNER SHIELD (NO RESISTOR)  
 "D" = LOOSELY ASSEMBLED (NO RESISTOR)  
 1. ALL DIMENSION ARE IN INCHES

| INCH | MM   | INCH | MM    | INCH | MM    | INCH | MM    | INCH  | MM     |
|------|------|------|-------|------|-------|------|-------|-------|--------|
| .005 | 0.13 | .295 | 7.49  | .437 | 11.10 | .625 | 15.88 | 1.003 | 25.48  |
| .010 | 0.25 | .300 | 7.62  | .439 | 11.15 | .630 | 16.00 | 1.066 | 27.08  |
| .030 | 0.76 | .317 | 8.05  | .450 | 11.43 | .687 | 17.45 | 1.68  | 42.67  |
| .032 | 0.81 | .325 | 8.26  | .500 | 12.70 | .722 | 18.34 | 2.5   | 63.50  |
| .140 | 3.56 | .330 | 8.38  | .505 | 12.83 | .750 | 19.05 | 3.0   | 76.20  |
| .200 | 5.08 | .355 | 9.02  | .56  | 14.22 | .753 | 19.13 | 4.0   | 101.60 |
| .25  | 6.35 | .380 | 9.65  | .562 | 14.27 | .766 | 19.46 | 4.5   | 114.30 |
| .278 | 7.06 | .388 | 9.86  | .567 | 14.40 | .816 | 20.73 | 6.0   | 152.40 |
| .281 | 7.14 | .406 | 10.31 | .593 | 15.06 | .878 | 22.30 | 7.0   | 177.80 |
| .290 | 7.37 | .419 | 10.64 | .610 | 15.49 | .941 | 23.90 | 10.0  | 254.00 |

INTERPRET DRAWING PER MIL-STD-100 DIMENSIONS ARE IN INCHES AND INCLUDE FINISH THICKNESS UNLESS OTHERWISE SPECIFIED

TOL: UNLESS SPECIFIED  
 .XX ± .02  
 .XXX ± .010  
 .XXXX ANGLES

DRAWN PD DATE 2-19-02  
 CHECKED 3-1-02  
 DUAL 3-5-02  
 HANDED 3/5/02  
 APPROVED 3/4/02  
 CAD FILE NO. 310-0033AE1

TITLE: TNG1/TNGFL1/TNGTL1/TNG1T,U,V,W,X,Y,Z & S

SIZE A CAGE CODE 14949 DRAWING NO. 310-0033 REV. AF

SCALE 4/1 DATE: 7-15-66 SHEET 1C

DO NOT SCALE DWG