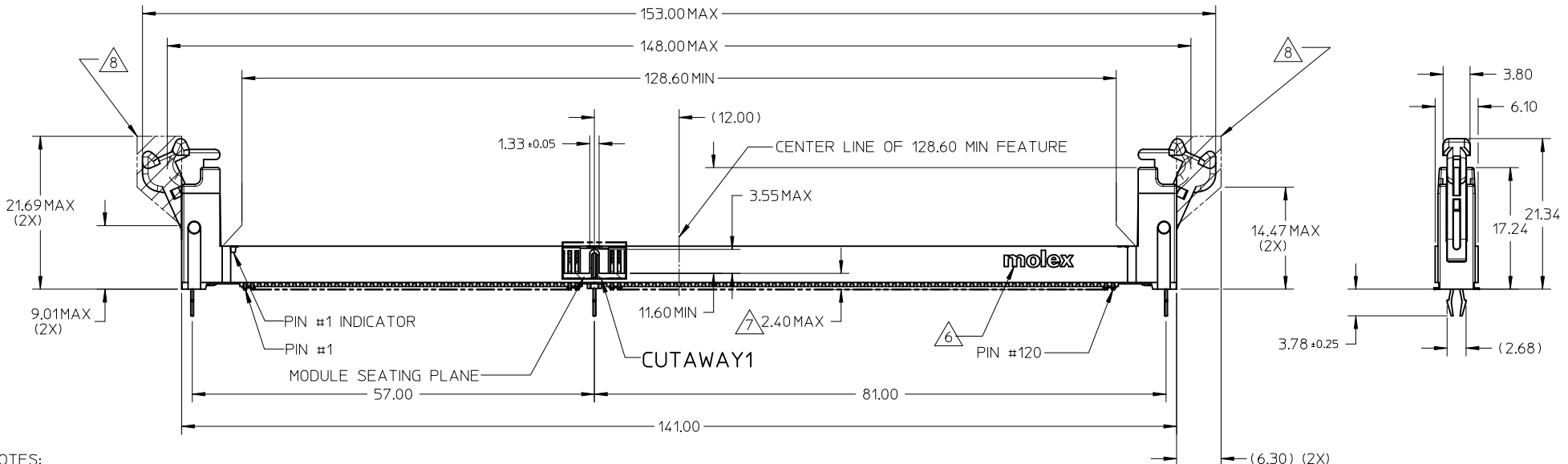
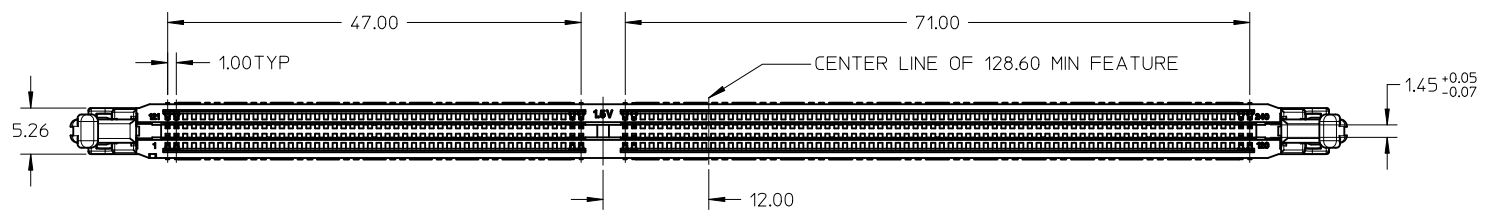


10 9 8 7 6 5 4 3 2 1



NOTES:

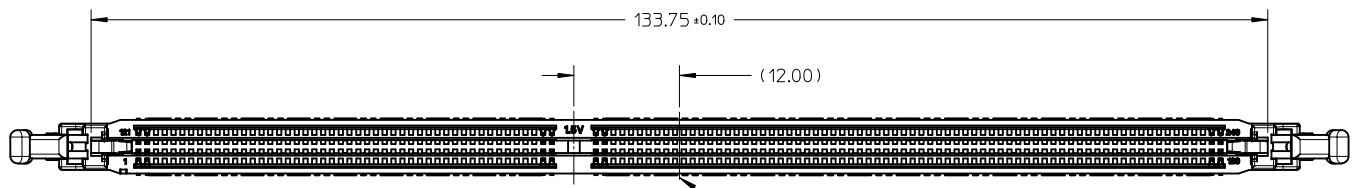
1. MATERIAL : HOUSING - LCP, GLASS FILLED, UL 94V-0
COLOUR : BLACK.
LATCH - NYLON, GLASS FILLED, UL 94V-0
COLOUR : SEE TABLE ON SHEET 5.
TERMINAL : COPPER ALLOY.
 2. FINISHES - SEE TABLE ON SHEET 5.
 3. PRODUCT SPECIFICATION : SEE TABLE ON SHEET 5.
 4. PACKAGING SPECIFICATION: PRODUCT SHALL BE PACKED IN TRAY,
SEE SHEET 5
 5. CARD SLOT ACCEPTS 1.27±0.10MM MODULE THICKNESS
(MEASURED FROM P.C. PADS).
6. MOLEX LOGO, DATE & PART NO. INDICATED ON HOUSING.
 7. MODULE SEATING PLANE FROM TOP OF PCB.
 8. KEEP OUT ZONE RESERVED FOR LATCH.
 9. KEEP OUT AREA IS THE AREA WHERE THE CONNECTOR
(INCLUDED LATCHES IN OPENING POSITION) IS MOUNTED ON THE PCB.

THIS DESIGN IS BASED ON DESIGN OBJECTIVES AND IS STRICTLY TENTATIVE. IT MAY CHANGE BASED ON RESULTS OF ADDITIONAL DESIGN REVIEWS AND VERIFICATIONS.

FORK LOCK CHANGE EC NO: S2012-0910 DRW: NCTEH CHKD: CGTAN APPR: SHLENI 2012/03/23 2012/06/06 2012/06/19	QUALITY SYMBOLS $F_A=0$ $F_G=0$ $F_B=0$	GENERAL TOLERANCES (UNLESS SPECIFIED)		DIMENSION STYLE MM ONLY		SCALE NTS	DESIGN UNITS METRIC	THIRD ANGLE PROJECTION	
			mm	INCH	DRAWN BY JAKEEMEW	DATE 2010/03/25	TITLE DDR3 DIMM, LSP STD, AERO 1.00MM PITCH, 240 CKT VERTICAL, SMT, LOWLLCR		
		4 PLACES	± ---	± ---	CHECKED BY CGTAN	DATE 2010/09/30			
		3 PLACES	± ---	± ---	APPROVED BY SHLENI	DATE 2010/12/24			
2 PLACES	± 0.25	± ---	MATERIAL NO.		DOCUMENT NO.	SHEET NO.			
1 PLACE	± ---	± ---	SEE TABLE		SD-78565-001	1 OF 5			
0 PLACE	±	±	DRAFT WHERE APPLICABLE MUST REMAIN WITHIN DIMENSIONS		THIS DRAWING CONTAINS INFORMATION THAT IS PROPRIETARY TO MOLEX INCORPORATED AND SHOULD NOT BE USED WITHOUT WRITTEN PERMISSION				

9 8 7 6 5 4 3 2 1

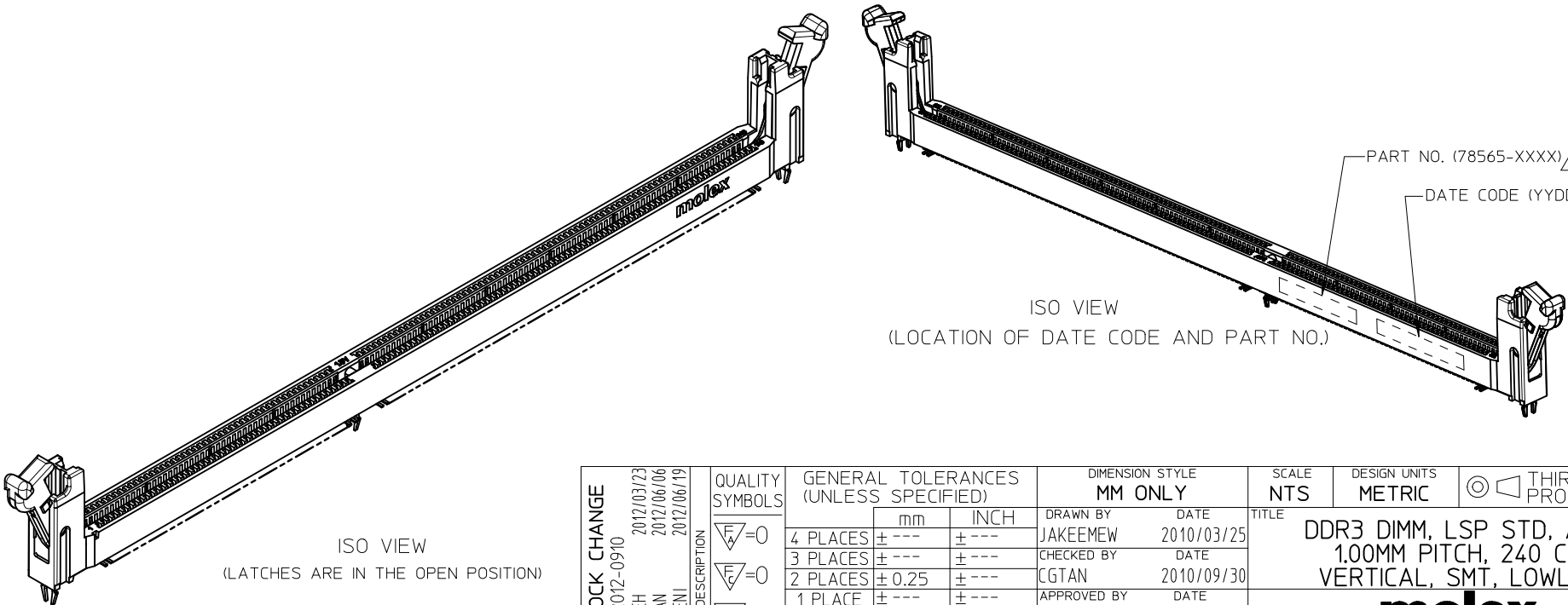
10 9 8 7 6 5 4 3 2 1



TOP VIEW
(LATCHES ARE IN THE OPEN POSITION) — CENTER LINE OF 128.60 MIN FEATURE



BOTTOM VIEW
(LATCHES ARE IN THE OPEN POSITION)



ISO VIEW
(LOCATION OF DATE CODE AND PART NO.)

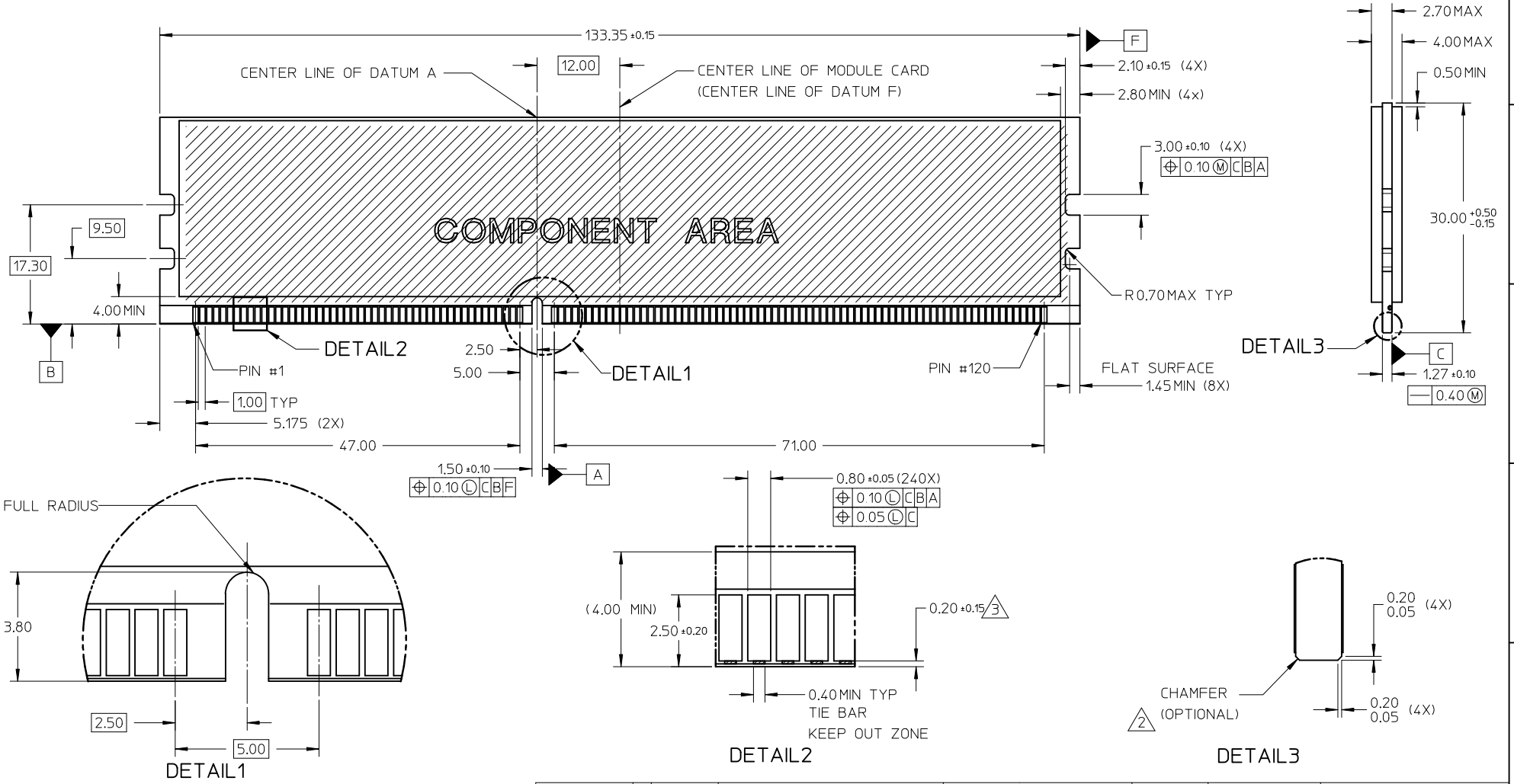
ISO VIEW
(LATCHES ARE IN THE OPEN POSITION)

FORK LOCK CHANGE EC NO: S2012-0910 DRWN: CCTEH 2012/03/27 CHKD: CGTAN 2012/06/06 APPR: SHLENI 2012/06/19	QUALITY SYMBOLS $\nabla_F = 0$ $\nabla_G = 0$ $\nabla_H = 0$	GENERAL TOLERANCES (UNLESS SPECIFIED) <table border="1"> <thead> <tr> <th></th> <th>mm</th> <th>INCH</th> </tr> </thead> <tbody> <tr> <td>4 PLACES</td> <td>± ---</td> <td>± ---</td> </tr> <tr> <td>3 PLACES</td> <td>± ---</td> <td>± ---</td> </tr> <tr> <td>2 PLACES</td> <td>± 0.25</td> <td>± ---</td> </tr> <tr> <td>1 PLACE</td> <td>± ---</td> <td>± ---</td> </tr> <tr> <td>0 PLACE</td> <td>±</td> <td>±</td> </tr> </tbody> </table>		mm	INCH	4 PLACES	± ---	± ---	3 PLACES	± ---	± ---	2 PLACES	± 0.25	± ---	1 PLACE	± ---	± ---	0 PLACE	±	±	DIMENSION STYLE MM ONLY	SCALE NTS	DESIGN UNITS METRIC	THIRD ANGLE PROJECTION
		mm	INCH																					
	4 PLACES	± ---	± ---																					
	3 PLACES	± ---	± ---																					
	2 PLACES	± 0.25	± ---																					
1 PLACE	± ---	± ---																						
0 PLACE	±	±																						
REV: 5	DRAFT WHERE APPLICABLE MUST REMAIN WITHIN DIMENSIONS	ANGULAR ± 3 °	DRAWN BY: JAKEEMEW CHECKED BY: CGTAN APPROVED BY: SHLENI	DATE: 2010/03/25 DATE: 2010/09/30 DATE: 2010/12/24	TITLE: DDR3 DIMM, LSP STD, AERO 1.00MM PITCH, 240 CKT VERTICAL, SMT, LOWLLCR	MATERIAL NO.																		
			SEE TABLE	DOCUMENT NO. SD-78565-001	SHEET NO. 2 OF 5																			
			SIZE: A3	THIS DRAWING CONTAINS INFORMATION THAT IS PROPRIETARY TO MOLEX INCORPORATED AND SHOULD NOT BE USED WITHOUT WRITTEN PERMISSION																				

9 8 7 6 5 4 3 2 1

10 9 8 7 6 5 4 3 2 1

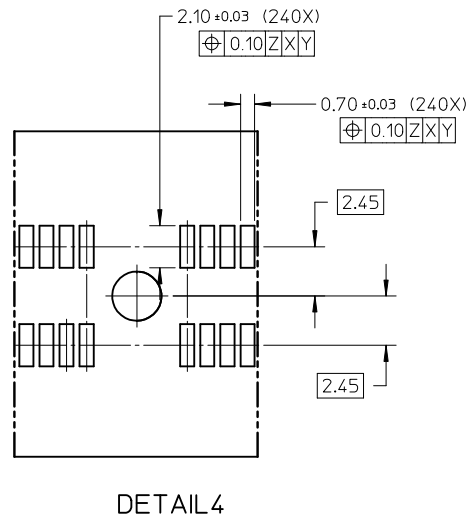
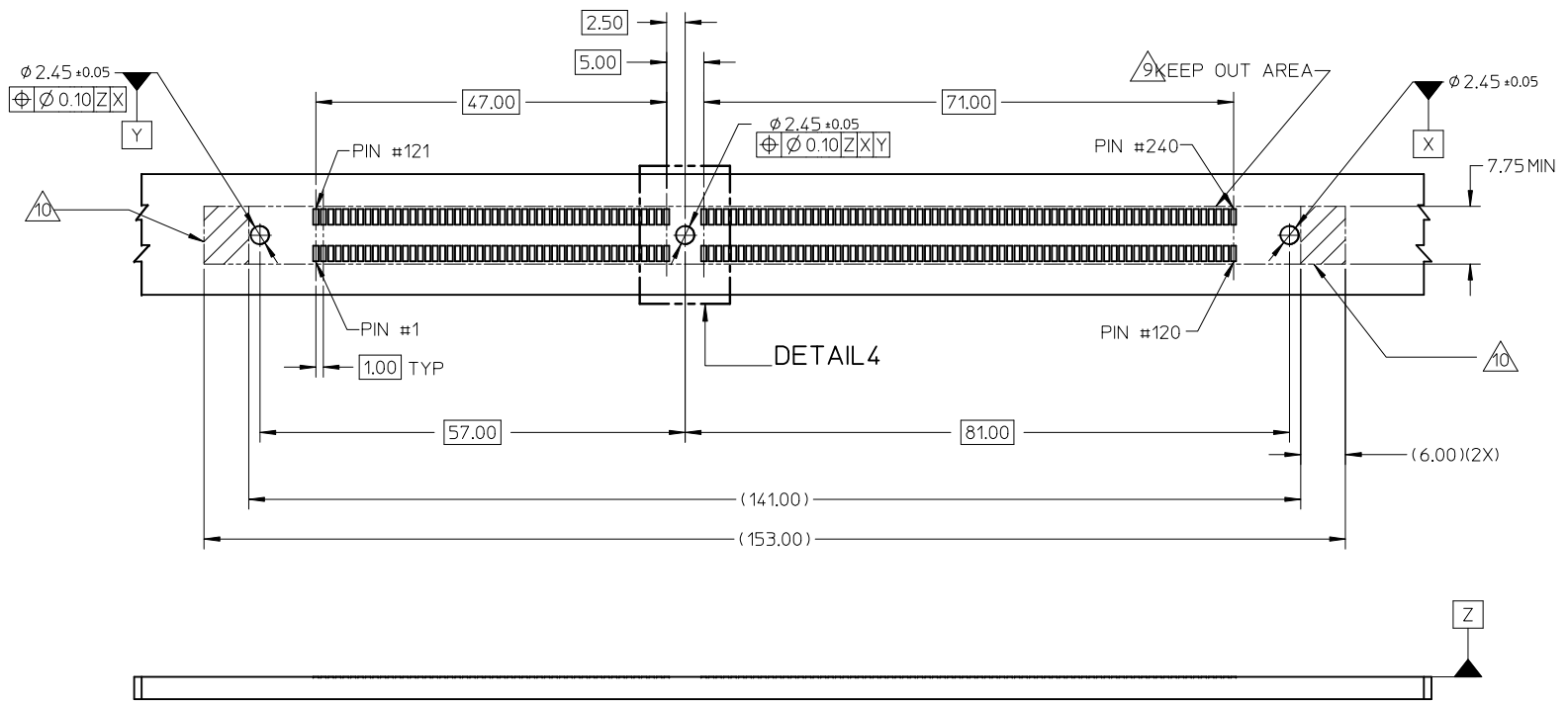
MODULE CARD
 DDR3 DUAL IN-LINE MEMORY MODULE FAMILY 1.00MM CONTACT CENTERS
 (JEDEC MO-269, ISSUE B, APRIL/06)



NOTES:
 1. RECOMMENDED PLATING FOR CONTACT PADS:
 PREFERRED: 0.76 MICROMETERS GOLD PLATING MIN OVER 2.00 MICROMETERS NICKEL.
 ALTERNATIVE: 0.05-0.75 MICROMETERS GOLD PLATING OVER 2.00 MICROMETERS NICKEL MUST USE AN ELECTRONIC CONTACT GRADE CORROSIVE BARRIER LUBRICANT.
 2. CHAMFER IS OPTIONAL AND IS NOT TO HIT THE GOLD PADS.
 3. LEADING EDGE OF GOLD PADS SPECIFIED BY KEEPOUT ZONE SHALL BE FREE OF BURRS AND EXTERNAL TIE BARS.

FORK LOCK CHANGE IEC NO: S2012-0910 DRW: CCTEH 2012/03/23 CHK: CGTAN 2012/06/06 APPR: SHLENI 2012/06/19	QUALITY SYMBOLS $F_A=0$ $F_B=0$ $F_C=0$	GENERAL TOLERANCES (UNLESS SPECIFIED) <table border="1"> <thead> <tr> <th></th> <th>mm</th> <th>INCH</th> </tr> </thead> <tbody> <tr> <td>4 PLACES</td> <td>± ---</td> <td>± ---</td> </tr> <tr> <td>3 PLACES</td> <td>± ---</td> <td>± ---</td> </tr> <tr> <td>2 PLACES</td> <td>± 0.25</td> <td>± ---</td> </tr> <tr> <td>1 PLACE</td> <td>± ---</td> <td>± ---</td> </tr> <tr> <td>0 PLACE</td> <td>±</td> <td>±</td> </tr> </tbody> </table>		mm	INCH	4 PLACES	± ---	± ---	3 PLACES	± ---	± ---	2 PLACES	± 0.25	± ---	1 PLACE	± ---	± ---	0 PLACE	±	±	DIMENSION STYLE MM ONLY	SCALE NTS	DESIGN UNITS METRIC	THIRD ANGLE PROJECTION
		mm	INCH																					
	4 PLACES	± ---	± ---																					
	3 PLACES	± ---	± ---																					
	2 PLACES	± 0.25	± ---																					
1 PLACE	± ---	± ---																						
0 PLACE	±	±																						
DRAWN BY JAKEEMEW	DATE 2010/03/25	TITLE DDR3 DIMM, LSP STD, AERO 1.00MM PITCH, 240 CKT VERTICAL, SMT, LOWLLCR																						
CHECKED BY CGTAN	DATE 2010/09/30	molex																						
APPROVED BY SHLENI	DATE 2010/12/24	MATERIAL NO. SEE TABLE	DOCUMENT NO. SD-78565-001	SHEET NO. 3 OF 5																				
REV 5	DRAFT WHERE APPLICABLE MUST REMAIN WITHIN DIMENSIONS	SIZE A3	THIS DRAWING CONTAINS INFORMATION THAT IS PROPRIETARY TO MOLEX INCORPORATED AND SHOULD NOT BE USED WITHOUT WRITTEN PERMISSION																					

9 8 7 6 5 4 3 2 1



RECOMMENDED PCB THICKNESS = 1.57mm ~ 3.18mm
 RECOMMENDED STENCIL THICKNESS = 150 MICROMETERS

FORK LOCK CHANGE EC NO: S2012-0910 DRW: CTEH 2012/03/23 CHKD: CGTAN 2012/06/06 APPR: SHLENI 2012/06/19	DESCRIPTION QUALITY SYMBOLS $\nabla_A = 0$ $\nabla_G = 0$ $\nabla_P = 0$	GENERAL TOLERANCES (UNLESS SPECIFIED)		DIMENSION STYLE MM ONLY		SCALE NTS	DESIGN UNITS METRIC	THIRD ANGLE PROJECTION		
				mm INCH	DRAWN BY JAKEEMEW	DATE 2010/03/25	TITLE DDR3 DIMM, LSP STD, AERO 1.00MM PITCH, 240 CKT VERTICAL, SMT, LOWLLCR			
				4 PLACES ± --- ± --- 3 PLACES ± --- ± --- 2 PLACES ± 0.25 ± --- 1 PLACE ± --- ± --- 0 PLACE ± ±	CHECKED BY CGTAN	DATE 2010/09/30	molex DOCUMENT NO. SD-78565-001 SHEET NO. 4 OF 5			
				ANGULAR ± 3 ° DRAFT WHERE APPLICABLE MUST REMAIN WITHIN DIMENSIONS	APPROVED BY SHLENI	DATE 2010/12/24				
				MATERIAL NO. SEE TABLE	THIS DRAWING CONTAINS INFORMATION THAT IS PROPRIETARY TO MOLEX INCORPORATED AND SHOULD NOT BE USED WITHOUT WRITTEN PERMISSION					

PART NO.	VOLTAGE KEY POSITION	PLATING OPTION	LATCH COLOR	PACKAGING SPEC	PRODUCT SPEC
78565-0001	CENTER (1.5V)	0.76µM (30µM) MIN. GOLD ON CONTACT. 2.54µM (100µM) MIN. TIN (MATTE) ON SOLDER TAIL. 1.27µM (50µM) MIN. NICKEL UNDERPLATE.	BLACK	SOFT TRAY PK-78565-001	PS-78565-001
78565-0002			NATURAL (OFF-WHITE)		
78565-0501			BLACK	HARD TRAY PK-78565-002	
78565-0502			NATURAL (OFF-WHITE)		

FORK LOCK CHANGE EC NO: S2012-0910 DRWN: CCTEH 2012/03/23 CHKD: CGTAN 2012/06/06 APPR: SHLENI 2012/06/19 REV 5	QUALITY SYMBOLS ▽=0 ▽=0 ▽=0	GENERAL TOLERANCES (UNLESS SPECIFIED) mm INCH 4 PLACES ± --- ± --- 3 PLACES ± --- ± --- 2 PLACES ± 0.25 ± --- 1 PLACE ± --- ± --- 0 PLACE ± ± ANGULAR ± 3 ° DRAFT WHERE APPLICABLE MUST REMAIN WITHIN DIMENSIONS	DIMENSION STYLE MM ONLY DRAWN BY DATE JAKEEMEW 2010/03/25 CHECKED BY DATE CGTAN 2010/09/30 APPROVED BY DATE SHLENI 2010/12/24 MATERIAL NO.	SCALE NTS DESIGN UNITS METRIC THIRD ANGLE PROJECTION	TITLE DDR3 DIMM, LSP STD, AERO 1.00MM PITCH, 240 CKT VERTICAL, SMT, LOWLLCR molex DOCUMENT NO. SD-78565-001 SHEET NO. 5 OF 5	
	SEE TABLE			THIS DRAWING CONTAINS INFORMATION THAT IS PROPRIETARY TO MOLEX INCORPORATED AND SHOULD NOT BE USED WITHOUT WRITTEN PERMISSION		