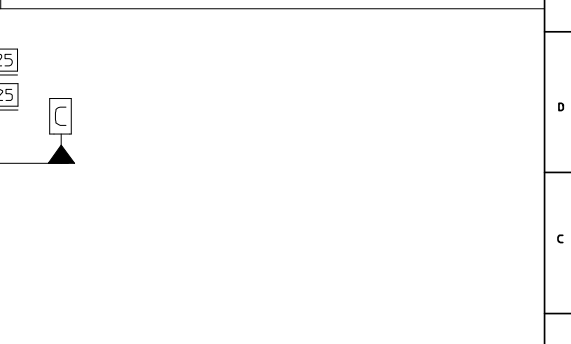
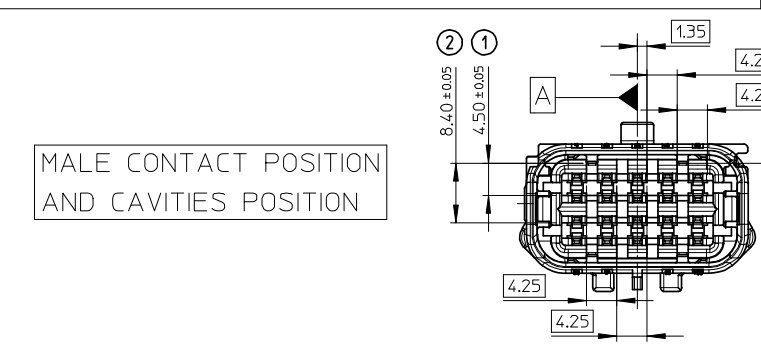
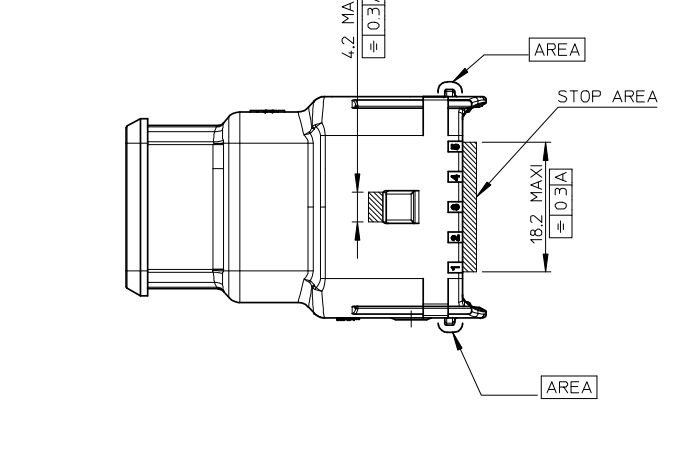
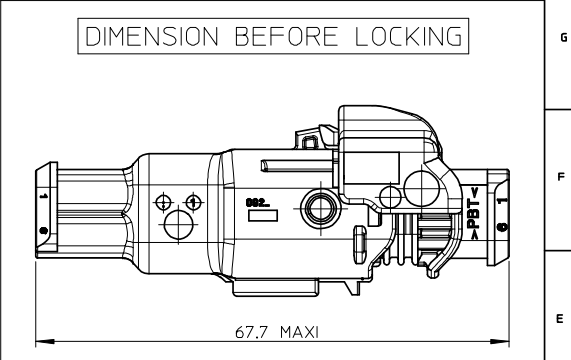
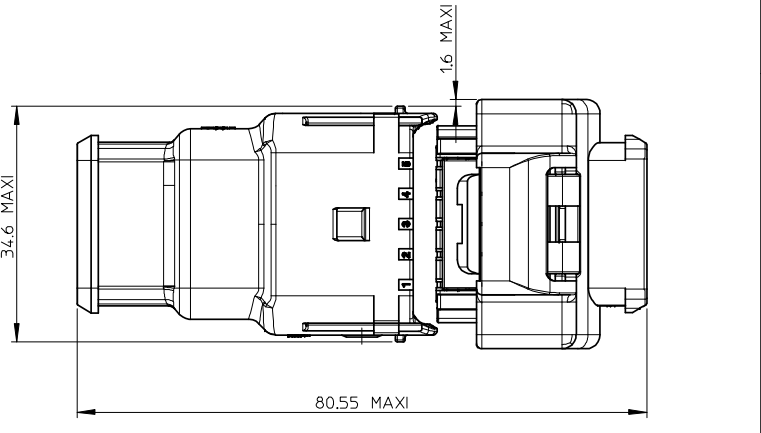
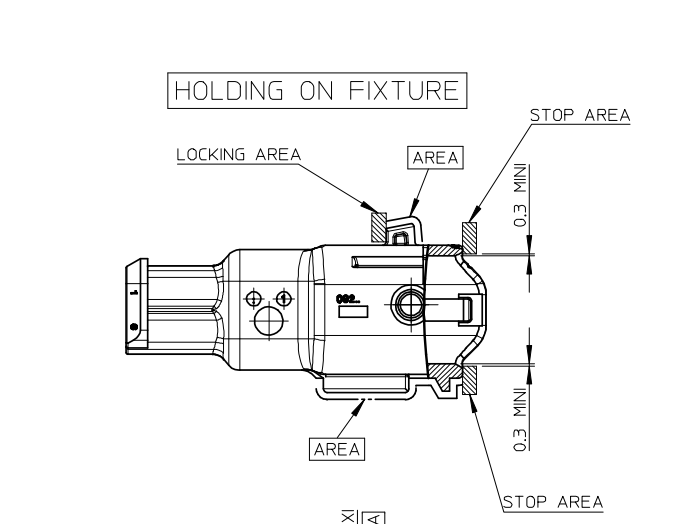
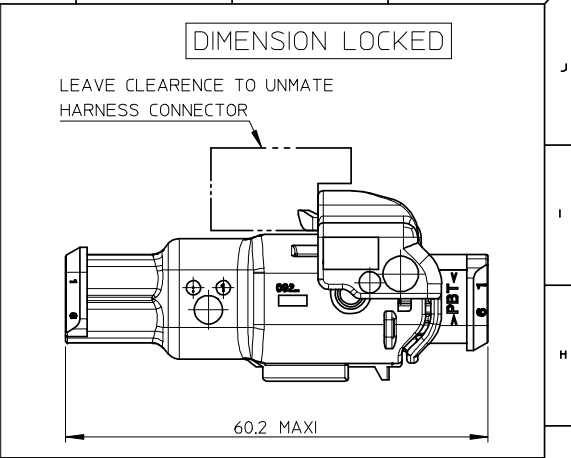
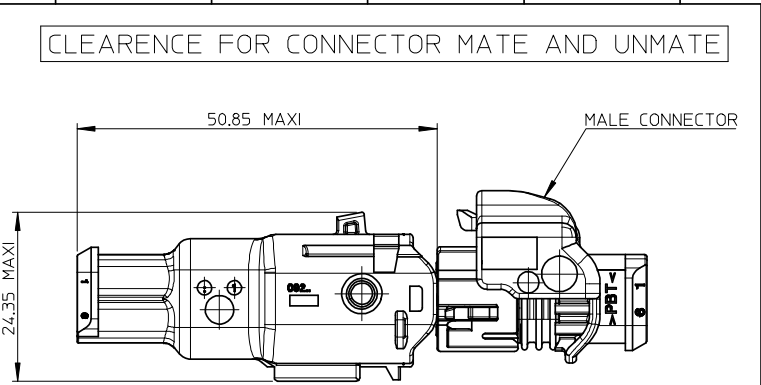
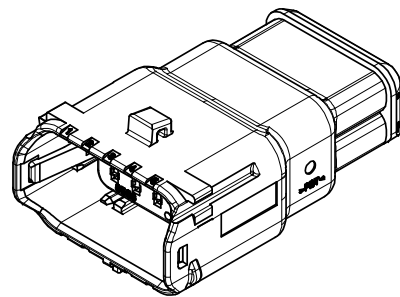
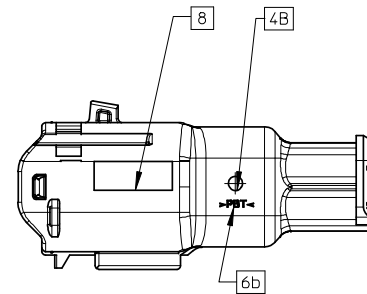
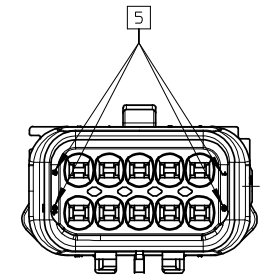
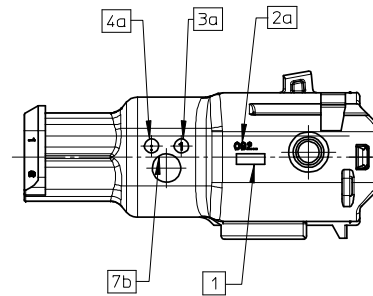
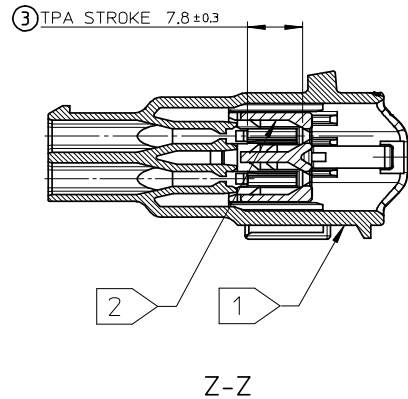
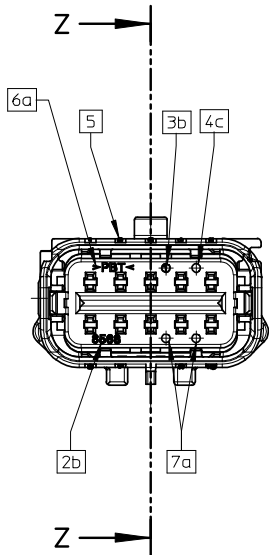


MOLEX P/N	0987891201	MOLEX P/N	0987891208
COLOR	BLACK	COLOR	GREY



MALE CONTACT POSITION AND CAVITIES POSITION

FIRST RELEASE EC NO: G2008-0387 DRAWN: VLOUVANCOUR 2008/04/04 CHKD: YIGEL 2008/04/04 APPR: LSTICKEIR 2008/04/08	QUALITY SYMBOLS ▽=0 ▽=0	GENERAL TOLERANCES (UNLESS SPECIFIED)		DIMENSION STYLE MM ONLY	SCALE 2:1	DESIGN UNITS METRIC	FIRST ANGLE PROJECTION
		4 PLACES ± --- ± --- 3 PLACES ± --- ± --- 2 PLACES ± --- ± --- 1 PLACE ± 0.2 ± --- ANGULAR ± 2°	mm INCH	DRAWN BY VLOUVANCOUR 2007/09/19	DATE 2007/09/19	TITLE SICMA PIN CONN 15 SLD W/ 10CKT	Molex MOLEX INCORPORATED
DRAFT WHERE APPLICABLE MUST REMAIN WITHIN DIMENSIONS	APPROVED BY LSTICKEIR 2007/09/21	DATE 2007/09/21	MATERIAL NO. SEE CHART	DOCUMENT NO. SD-98789-003	SHEET NO. 1 OF 2		
THIS DRAWING CONTAINS INFORMATION THAT IS PROPRIETARY TO MOLEX INCORPORATED AND SHOULD NOT BE USED WITHOUT WRITTEN PERMISSION							



MARKINGS:

- 1 : SUPPLIER MARKING
- 2a: SUPPLIER ASSY PART NUMBER
- 2b: TPA PART NUMBER
- 3a: FEMALE CONNECTOR PRINT NUMBER
- 3b: TPA PRINT NUMBER
- 4a: FEMALE CONNECTOR REVISION LEVEL
- 4b, ASSY REVISION LEVEL
- 4c: TPA REVISION LEVEL
- 5 : CAVITY IDENTIFICATION (SKC)
- 6a: TPA MATERIAL
- 6b: FEMALE CONNECTOR MATERIAL
- 7a: TPA DATUM CLOCK
- 7b: FEMALE CONNECTOR DATUM CLOCK
- 8 : CUSTOMER LOGO

NOTES:

- 1- MATERIAL: SEE CHART
- 2- FINISHES: N/A
- 3- PRODUCT SPECIFICATION: AS-98788-002
- 4- PACKAGING INFORMATION: N/A
- 5- MATES WITH: 0987881201 (BLACK), 0987881208 (GREY)
- 6- WIRE EXTERNAL DIAMETER MUST BE BETWEEN 0.125 AND 0.24MM
- 7- HOLDING FORCE ONTO FIXTURE: 50 TO 250N WITHOUT PUSH TEST
200 TO 250N WITH PUSH TEST
- 8- "AREA" IDENTIFIED AREAS:
DO NOT LOCK THE FIXTURE
DO NOT DAMMAGE THE PART

2	1	Piece	SICMA PIN CONN TPA GRN 10CKT	0987890213	-	POLYESTER (PBT)	1.661g
1	1	Piece	SICMA PIN CONN 15 GRY 10CKT	0987890208	-		9.971g
			SICMA PIN CONN 15 BLK 10CKT	0987890201	-		
Item	Amount	Unit	Description	Material-Number	Packing	Material (SKC)	Weight Calculated
ENTER DESCRIPTION			QUALITY SYMBOLS		GENERAL TOLERANCES (UNLESS SPECIFIED)		DIMENSION STYLE
EC NO: G2008-0387			DRAWN: VLOUVANCOUR 2008/04/04		mm INCH		MM ONLY
CHKD: YIGEL 2008/04/04			APPR: LSTICKEIR 2008/04/08		4 PLACES ± --- ± ---		DRAWN BY: VLOUVANCOUR DATE: 2007/09/19
DESCRIPTION			▽=0		3 PLACES ± --- ± ---		CHECKED BY: YIGEL DATE: 2007/09/20
REV			▽=0		2 PLACES ± --- ± ---		APPROVED BY: LSTICKEIR DATE: 2007/09/21
			▽=0		1 PLACE ± 0.2 ± ---		MATERIAL NO. DOCUMENT NO.
			ANGULAR ± 2 °		DRAFT WHERE APPLICABLE MUST REMAIN WITHIN DIMENSIONS		TITLE: SICMA PIN CONN 15 SLD W/ 10CKT
					SEE CHART		MOLEX INCORPORATED
					SIZE A 2		SD-98789-003
					THIS DRAWING CONTAINS INFORMATION THAT IS PROPRIETARY TO MOLEX INCORPORATED AND SHOULD NOT BE USED WITHOUT WRITTEN PERMISSION		SHEET NO. 2 OF 2