

NOTES:

1. MATERIAL:

CAGE: NICKEL SILVER
CONNECTOR HOUSING: GLASS FILLED THERMOPLASTIC, UL: 94V-0, COLOR: BLACK
LIGHT PIPES: POLYCARBONATE, 94 HB, COLOR: CLEAR
TERMINALS: HIGH PERFORMANCE COPPER ALLOY
FRONT SHIELD WALL: COPPER ALLOY
LIGHT PIPE HOUSING: ZINC ALLOY

2. FINISH

TERMINALS: CONTACT AREA: $0.76 \mu\text{m}$ MIN. HARD GOLD OVER
 $3.8 \mu\text{m}$ MIN. NICKEL.
COMPLIANT TAIL: 0.7 - $1.5 \mu\text{m}$ MATTE TIN OVER;
 0.7 - $1.5 \mu\text{m}$ NICKEL
FRONT SHIELD WALL: 0.7 - $1.5 \mu\text{m}$ NICKEL OVERALL
LIGHT PIPE HOUSING: $2.0 \mu\text{m}$ NICKEL OVER $0.7 \mu\text{m}$ COPPER

3. 2X4 CONFIGURATION SHOWN FOR REFERENCE, SEE CHART FOR AVAILABLE OPTIONS

4. REFER TO PS-170071-0001 FOR ALL ELECTRICAL, MECHANICAL AND ENVIRONMENTAL SPECIFICATIONS.

5. REFER TO AS-170071-0001 FOR CONNECTOR MOUNTING AND REWORK INFORMATION.

6. REFER TO AS-170071-0002 FOR PCB ROUTING RECOMMENDATIONS.

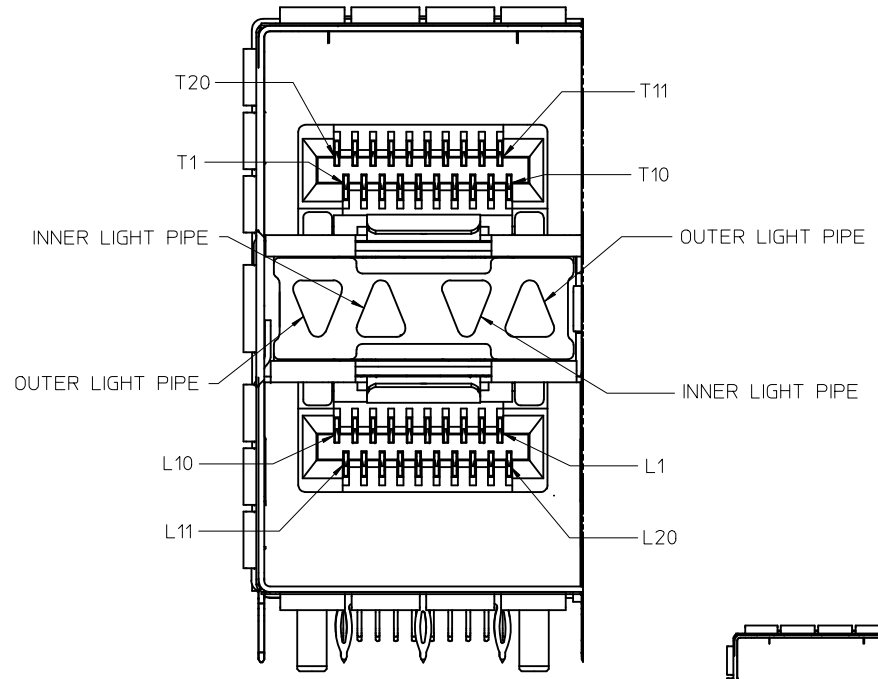
7. ALL VISIBLE EXTERIOR SURFACES TO BE CLASS "B" (BOTTOM OF CONNECTOR IS CLASS "C") CAGE SURFACES TO CONFORM TO THE MOLEX COSMETIC DOC PS-45499-002.

PORT SIZE	PART NUMBER	DIM X	DIM Y
2X1	17122410**	14.75	15.10
2X2	17122420**	29.00	29.35
2X4	17122440**	57.50	57.85
2X6	17122460**	86.00	86.35
2X8	17122480**	114.50	114.85
2X12	17122412**	171.50	171.85

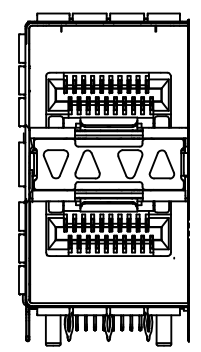
**-DESIGNATES LIGHT PIPE CONFIGURATIONS, SEE SHEET 2

REV TOLERANCES EC NO: UCP2015-4683 DRWN: JKACHLIC 2015/05/07 CHKD: MBANAKIS 2015/05/13 APPR: MBANAKIS	QUALITY SYMBOLS	GENERAL TOLERANCES (UNLESS SPECIFIED)	DIMENSION STYLE MM ONLY	SCALE 2:1	DESIGN UNITS METRIC	THIRD ANGLE PROJECTION																		
	$\nabla = 0$	<table border="1"> <tr> <th></th> <th>mm</th> <th>INCH</th> </tr> <tr> <td>4 PLACES</td> <td>\pm ---</td> <td>\pm ---</td> </tr> <tr> <td>3 PLACES</td> <td>\pm ---</td> <td>\pm ---</td> </tr> <tr> <td>2 PLACES</td> <td>\pm ---</td> <td>\pm ---</td> </tr> <tr> <td>1 PLACE</td> <td>± 0.25</td> <td>\pm ---</td> </tr> <tr> <td>0 PLACE</td> <td>\pm</td> <td>\pm</td> </tr> </table>		mm	INCH	4 PLACES	\pm ---	\pm ---	3 PLACES	\pm ---	\pm ---	2 PLACES	\pm ---	\pm ---	1 PLACE	± 0.25	\pm ---	0 PLACE	\pm	\pm	DRAWN BY JKACHLIC	DATE 2011/08/08	TITLE ZSFP+ STACKED ASSY METAL SPRING FINGER W/LP	
		mm	INCH																					
	4 PLACES	\pm ---	\pm ---																					
3 PLACES	\pm ---	\pm ---																						
2 PLACES	\pm ---	\pm ---																						
1 PLACE	± 0.25	\pm ---																						
0 PLACE	\pm	\pm																						
$\nabla = 0$	ANGULAR $\pm 1/2^\circ$	APPROVED BY JKACHLIC	DATE 2011/11/03	DOCUMENT NO. SD-171224-0002																				
$\nabla = 0$	DRAFT WHERE APPLICABLE MUST REMAIN WITHIN DIMENSIONS	MATERIAL NO. SEE CHART	SIZE C	SHEET NO. 1 OF 4																				

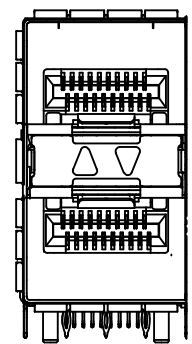
THIS DRAWING CONTAINS INFORMATION THAT IS PROPRIETARY TO MOLEX INCORPORATED AND SHOULD NOT BE USED WITHOUT WRITTEN PERMISSION



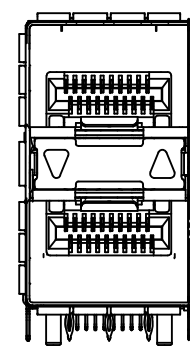
Partial 4
SCALE 6:1



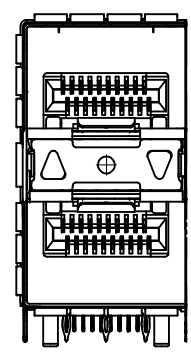
4 LIGHT PIPE
171224-**-11



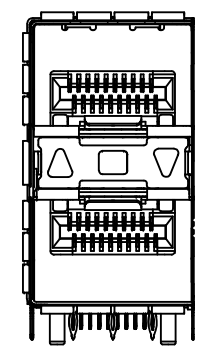
INNER LIGHT PIPE
171224-**-12



OUTER LIGHT PIPE
DOWN / UP
171224-**-13



OUTER LIGHT PIPE
UP / DOWN
171224-**-14

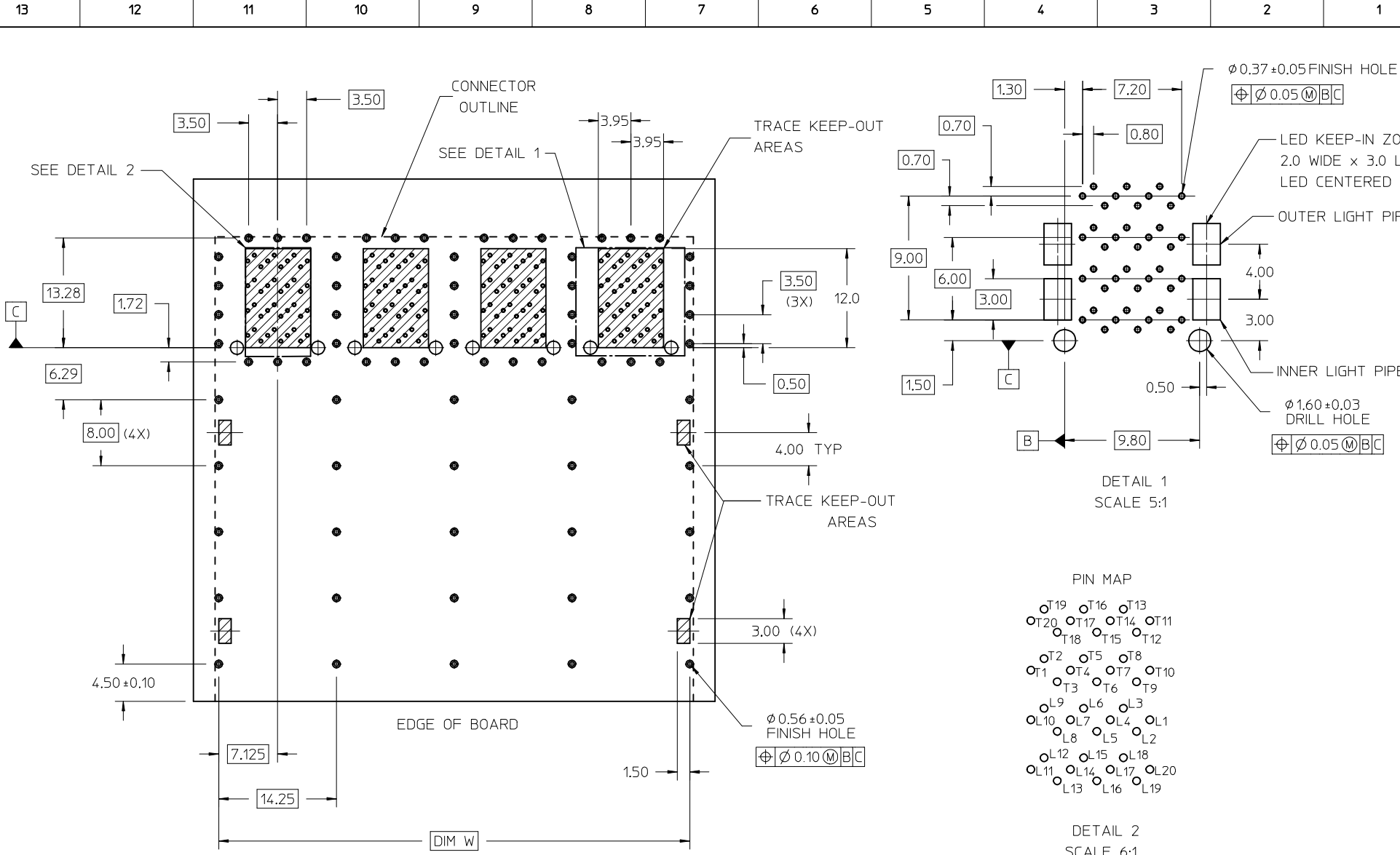


3 LIGHT PIPE
UP / MIDDLE / DOWN
171224-**-15

PART NUMBER	DESCRIPTION
171224-**-11	4 LIGHT PIPES
171224-**-12	INNER 2 PORTS
171224-**-13	OUTER 2 PORTS DOWN / UP
171224-**-14	OUTER 2 PORTS UP / DOWN
171224-**-15	3 LIGHT PIPES

** - DESIGNATES PORT SIZE

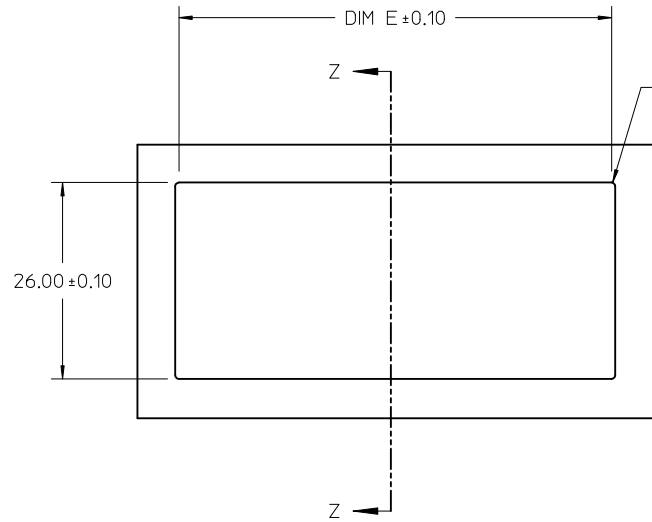
SEE SHEET 1 EC NO: UCP2015-4683 DRWN: JKACHLIC 2015/05/07 CHKD: APPR: MBANKIS 2015/05/13	QUALITY SYMBOLS ▽=0 ▽=0 ▽=0	GENERAL TOLERANCES (UNLESS SPECIFIED) <table border="1"> <tr> <td></td> <td>mm</td> <td>INCH</td> </tr> <tr> <td>4 PLACES</td> <td>± .---</td> <td>± .---</td> </tr> <tr> <td>3 PLACES</td> <td>± .---</td> <td>± .---</td> </tr> <tr> <td>2 PLACES</td> <td>± .---</td> <td>± .---</td> </tr> <tr> <td>1 PLACE</td> <td>± 0.25</td> <td>± .---</td> </tr> <tr> <td>0 PLACE</td> <td>±</td> <td>±</td> </tr> </table>		mm	INCH	4 PLACES	± .---	± .---	3 PLACES	± .---	± .---	2 PLACES	± .---	± .---	1 PLACE	± 0.25	± .---	0 PLACE	±	±	DIMENSION STYLE MM ONLY DRAWN BY: JKACHLIC DATE: 2011/08/08 CHECKED BY: DATE:	SCALE: 3:1 DESIGN UNITS: METRIC THIRD ANGLE PROJECTION	TITLE: ZSFP+ STACKED ASSY METAL SPRING FINGER W/LP molex DOCUMENT NO. SD-171224-0002 SHEET NO. 2 OF 4
		mm	INCH																				
	4 PLACES	± .---	± .---																				
	3 PLACES	± .---	± .---																				
2 PLACES	± .---	± .---																					
1 PLACE	± 0.25	± .---																					
0 PLACE	±	±																					
DRAFT WHERE APPLICABLE MUST REMAIN WITHIN DIMENSIONS		APPROVED BY: JKACHLIC DATE: 2011/11/03 MATERIAL NO.	THIS DRAWING CONTAINS INFORMATION THAT IS PROPRIETARY TO MOLEX INCORPORATED AND SHOULD NOT BE USED WITHOUT WRITTEN PERMISSION																				
		ANGULAR ±1/2°	SEE CHART																				
		SIZE C																					



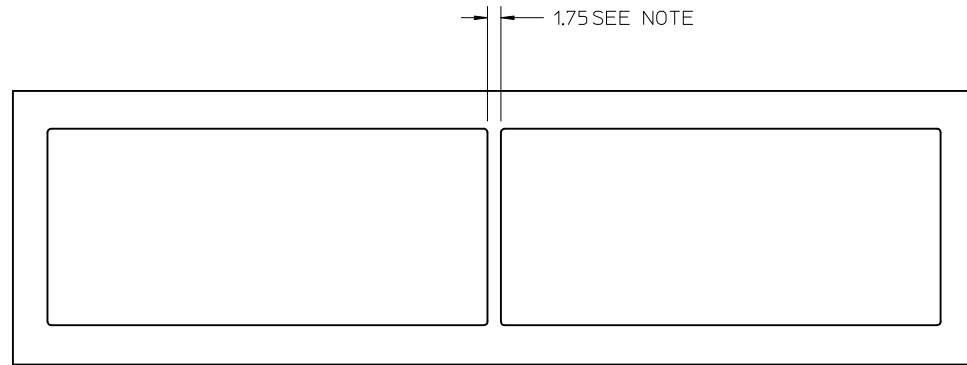
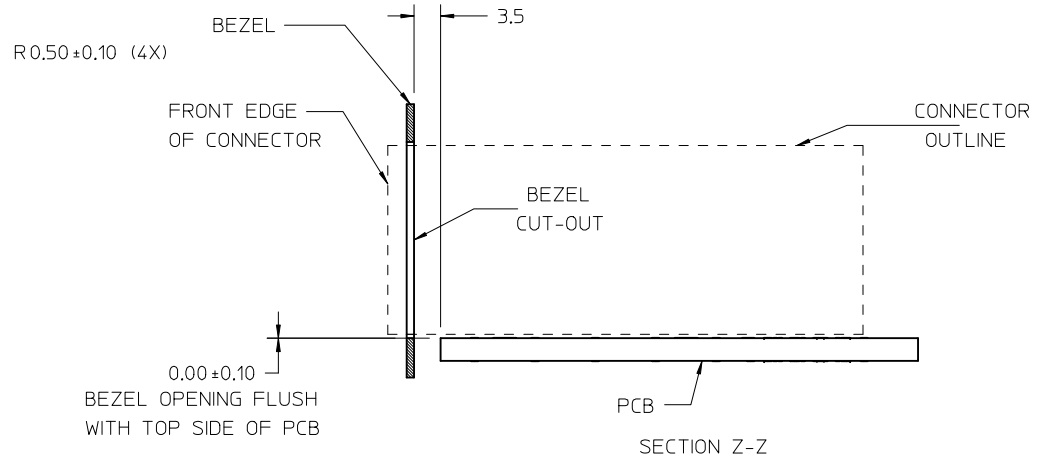
PORT SIZE	DIM "W"	HOLE CHART		
		CONNECTOR (Ø0.37)	SHIELD (Ø0.56)	LOCATION (Ø1.60)
2X1	14.25	40	24	2
2X2	28.50	80	39	4
2X4	57.00	160	69	8
2X6	85.50	240	99	12
2X8	114.00	320	129	16
2X12	171.00	480	189	24

SEE SHEET 1 EC NO: UCP2015-4683 DRWN: JKACHLIC 2015/05/07 CHKD: MBANAKIS 2015/05/13 APPR: MBANAKIS 2015/05/13	QUALITY SYMBOLS 	GENERAL TOLERANCES (UNLESS SPECIFIED)		DIMENSION STYLE MM ONLY	SCALE 3:1	DESIGN UNITS METRIC	THIRD ANGLE PROJECTION		
		4 PLACES ± --- ± --- 3 PLACES ± --- ± --- 2 PLACES ± --- ± --- 1 PLACE ± 0.25 ± --- 0 PLACE ± ±		DRAWN BY JKACHLIC	DATE 2011/08/08	TITLE ZSFP+ STACKED ASSY METAL SPRING FINGER W/LP			
		ANGULAR ±1/2° DRAFT WHERE APPLICABLE MUST REMAIN WITHIN DIMENSIONS		CHECKED BY DATE	APPROVED BY JKACHLIC	DATE 2011/11/03	molex		
				MATERIAL NO. SEE CHART	DOCUMENT NO. SD-171224-0002	SHEET NO. 3 OF 4			

THIS DRAWING CONTAINS INFORMATION THAT IS PROPRIETARY TO MOLEX INCORPORATED AND SHOULD NOT BE USED WITHOUT WRITTEN PERMISSION



BEZEL CUT-OUT DETAIL
BEZEL THICKNESS 0.8-2.6



BEZEL CUT-OUT FOR
CONNECTOR STACKING

PORT SIZE	DIM "E"
2X1	15.50
2X2	29.75
2X4	58.25
2X6	86.75
2X8	115.25
2X12	172.25

NOTE:

FOR SIDE BY SIDE STACKING OF CONNECTORS. A BASIC DIMENSION OF 3.0mm BETWEEN CONNECTOR MOUNTING PATTERNS IS THE RECOMMENDED MINIMUM SPACING.

SEE SHEET 1 EC NO: UCP2015-4683 DRWN: JKACHLIC 2015/05/07 CHKD: JKACHLIC APPR: MBANAKIS 2015/05/13	QUALITY SYMBOLS	GENERAL TOLERANCES (UNLESS SPECIFIED)	DIMENSION STYLE MM ONLY	SCALE 2:1	DESIGN UNITS METRIC	THIRD ANGLE PROJECTION
	▽=0	mm INCH	DRAWN BY JKACHLIC	DATE 2011/08/08	TITLE ZSFP+ STACKED ASSY METAL SPRING FINGER W/LP	
	▽=0	4 PLACES ± --- ± ---	CHECKED BY	DATE		
	▽=0	3 PLACES ± --- ± ---	APPROVED BY	DATE		
		1 PLACE ± 0.25 ± ---	JKACHLIC	2011/11/03	DOCUMENT NO. SD-171224-0002	SHEET NO. 4 OF 4
		0 PLACE ± ±	MATERIAL NO. SEE CHART		THIS DRAWING CONTAINS INFORMATION THAT IS PROPRIETARY TO MOLEX INCORPORATED AND SHOULD NOT BE USED WITHOUT WRITTEN PERMISSION	
		ANGULAR ±1/2°				
		DRAFT WHERE APPLICABLE MUST REMAIN WITHIN DIMENSIONS				