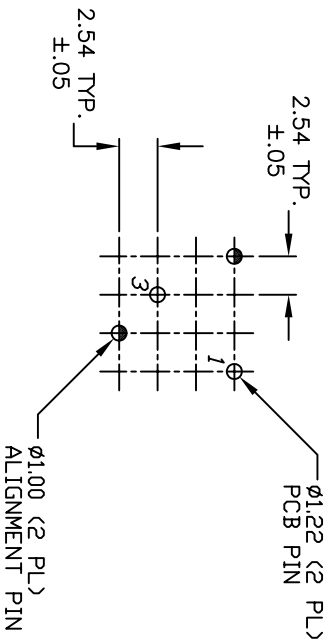
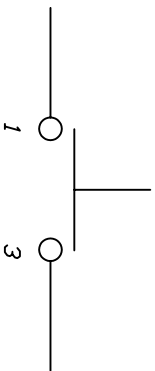


TOP VIEW - SHOW ORIENTATION OF LEGENDS
IN RESPECT TO THE PCB PIN TERMINALS.

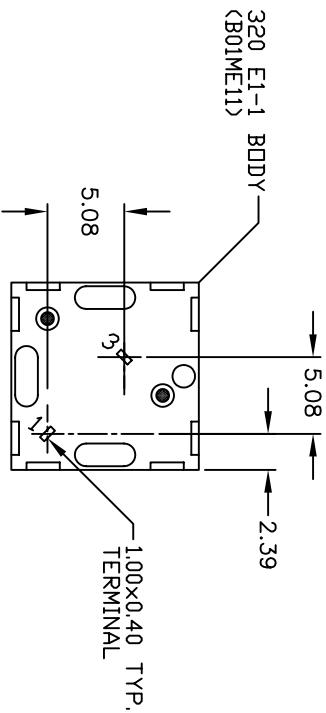
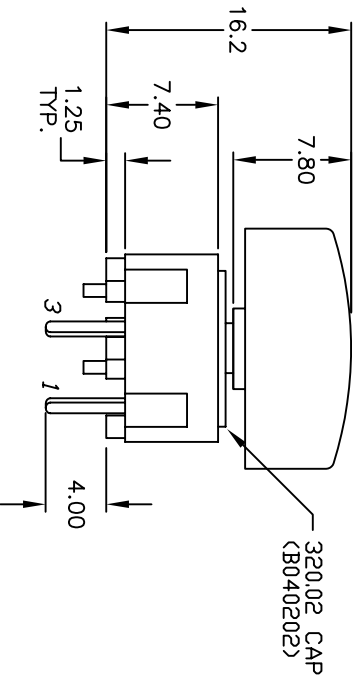
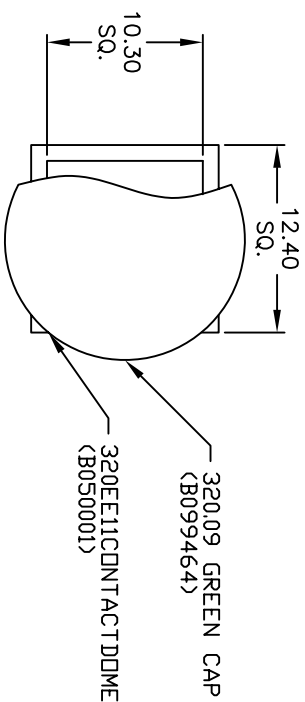


RECOMMENDED P.C.B. LAYOUT



CIRCUIT: SPST
CONTACT CONFIGURATION

- NOTES:
1. ALL DIMENSIONS IN MM
 2. GENERAL TOLERANCE: X.X=±0.4
X.XX=±0.25
 3. RATING: 25mA, @50VDC
 4. OPERATING FORCE: 120GF
 5. 2002/95/EC (ROHS) COMPLIANT



B	17267	ADDED DOME NOTE	5/9/07	TN
A	17085	RELEASED FOR PRODUCTION	3/12/07	TN
REV.	ECN No.	DESCRIPTION	DATE	CHKD

THE INFORMATION CONTAINED IN THIS DOCUMENT IS PROPRIETARY TO E-SWITCH AND IS NOT TO BE COPIED OR TRANSMERED

TITLE		SCALE		DATE		DR		DWG		REV	
320.09E11GRN		2:1		5/9/07		TN		XB0917A		B	

