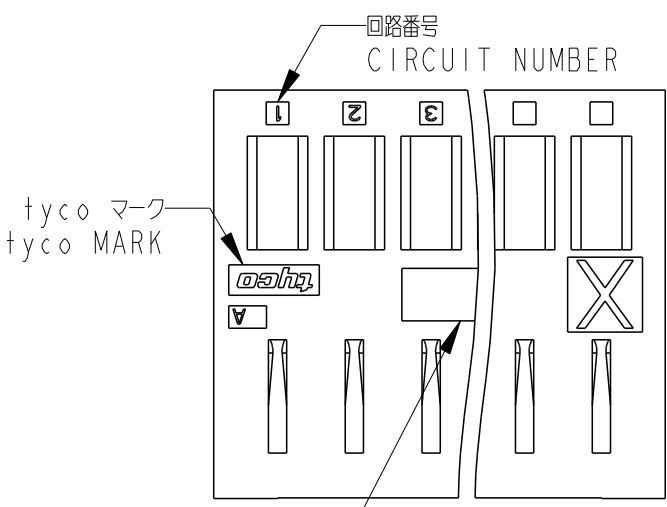


THIS DRAWING IS UNPUBLISHED. RELEASED FOR PUBLICATION 20
 © COPYRIGHT 20 BY - ALL RIGHTS RESERVED.

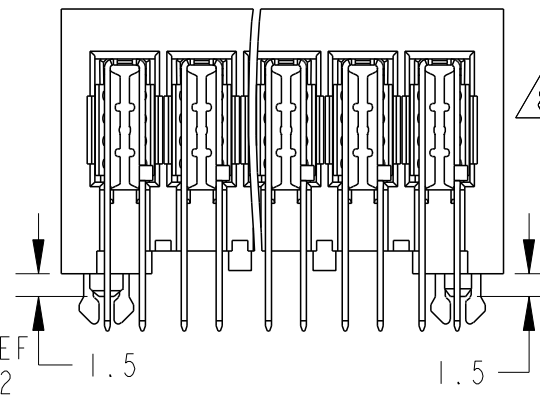
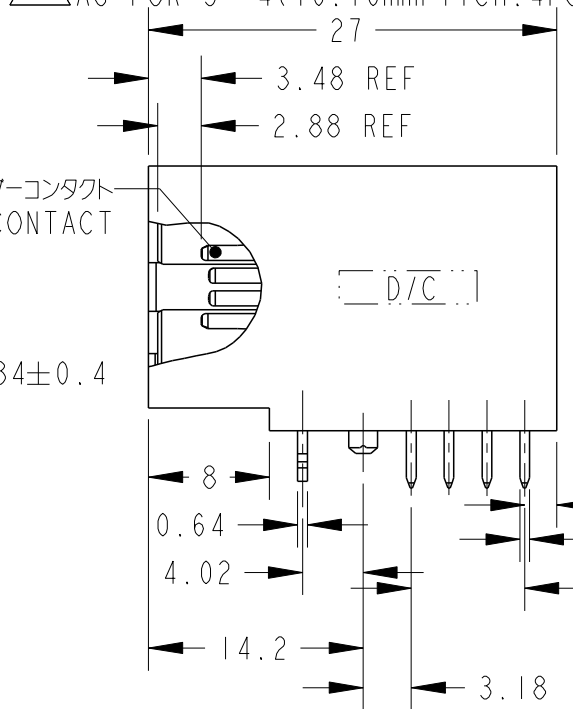
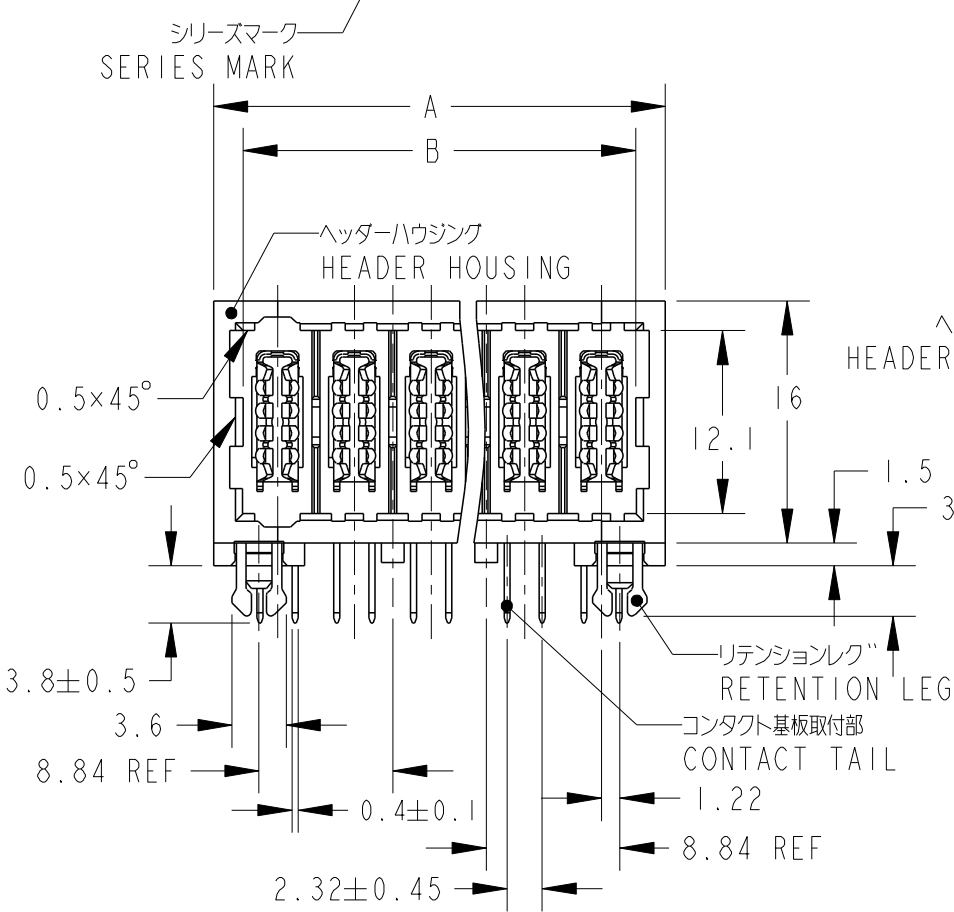
LOC	DIST	REVISIONS					
		P	LTR	DESCRIPTION	DATE	DWN	APVD
J	-		O1	REVISED (ECR-07-012724)	31MAY2007	K.R	J.A
			A	REVISED	25JUL2013	H.U	N.Y



1 材料 ハウジング: ガラス入り熱可塑性ポリエステル樹脂 UL94V-0 色: 黒
 コンタクト: 銅合金
 仕上げ コンタクト 全面: ニッケルめっき下地 1.27μm以上
 接触部: 金めっき 0.2μm以上
 基板取付部: 錫めっき 2μm以上
 リテンション レグ 全面: ニッケルめっき下地 1.27μm以上の上に錫めっき 2.0μm以上
 5/6--3(10.16mmピッチ: 3POS)は偶数回路(2, 4)にコンタクトが装着されません
 5--4(10.16mmピッチ: 4POS)は偶数回路(2, 4, 6)にコンタクトが装着されません

1 MATERIAL HOUSING: POLYESTER OF GLASS FILLED THERMO PLASTIC(UL94V-0), COLOR:BLACK
 CONTACT: COPPER ALLOY
 2 FINISH CONTACT UNDER: Ni PLATING ALL SURFACE 1.27μm MIN
 CONTACT AREA: Au PLATING 0.2μm MIN
 P.C. BOARD ATTACHMENT AREA: TIN PLATING 2μm MIN
 RETENTION LEG ALL SURFACE: TIN PLATING 2μm MIN OVER Ni PLATING ALL SURFACE 1.27μm MIN

3 AS FOR 5/6--3(10.16mmPITCH: 3POS), EVEN NUMBER CIRCUITS(NO.2 AND 4) ARE NOT EQUIPPED WITH CONTACT.
 4 AS FOR 5--4(10.16mmPITCH: 4POS), EVEN NUMBER CIRCUITS(NO.2, 4 AND 6) ARE NOT EQUIPPED WITH CONTACT.

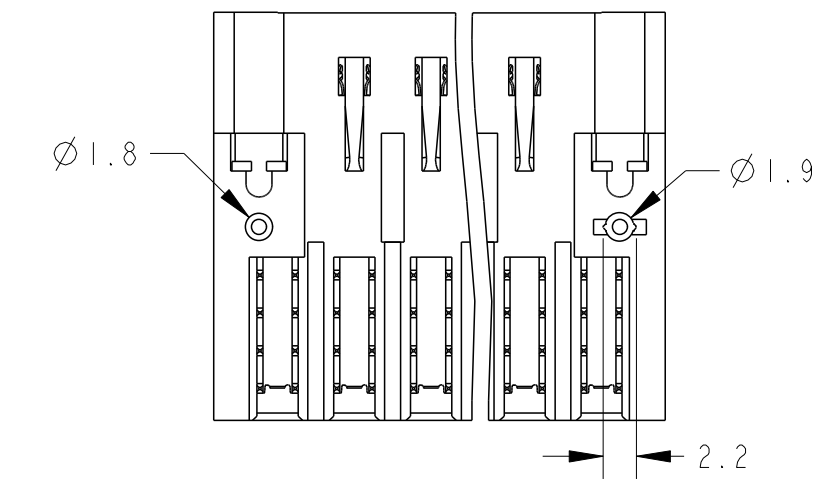


8 仕上げ コンタクト 全面: ニッケルめっき下地 1.27μm以上
 接触部: 金めっき 0.76μm以上
 基板取付部: 錫めっき 2μm以上
 リテンション レグ 全面: ニッケルめっき下地 1.27μm以上の上に
 錫めっき 2.0μm以上
 8 FINISH CONTACT UNDER: Ni PLATING ALL SURFACE 1.27μm MIN
 CONTACT AREA: Au PLATING 0.76μm MIN
 P.C. BOARD ATTACHMENT AREA: TIN PLATING 2μm MIN
 RETENTION LEG ALL SURFACE: TIN PLATING 2μm MIN OVER Ni PLATING ALL SURFACE 1.27μm MIN

13.29	22.76	20.32	24.86	28.76	4	10.16	3/3	8	6-1747145-3
21.84	32.92	30.48	35.02	38.92	6	5.08	7	2	1-1747145-7
16.36	22.76	20.32	24.86	28.76	4	5.08	5	2	1-1747145-5
17.25	32.92	30.48	35.02	38.92	6	10.16	4/4	2	5-1747145-4
13.29	22.76	20.32	24.86	28.76	4	10.16	3/3	2	5-1747145-3

適用寸法(D) DIMENSION APPLIED(D)	一般公差 GENERAL TOLERANCE
0<D≤10	±0.3
10<D≤30	±0.4
30<D≤100	±0.45

WEIGHT (g)	DIMENSION				N	PITCH	POS	FINISH	PART NO
	D	C	B	A					



THIS DRAWING IS A CONTROLLED DOCUMENT.

DWN: K.RIKU 10FEB05
 CHK: D.MITSUGI 10FEB05
 APVD: D.MITSUGI 10FEB05

NAME: DYNAMIC DZ5200 HORIZONTAL HEADER ASSY

PRODUCT SPEC: 108-78186
 APPLICATION SPEC: 取付適用規格

SIZE: A3 CAGE CODE: 00779 DRAWING NO: C-1747145 RESTRICTED TO: -

SCALE: 2:1 SHEET: 1 OF 3 REV: A

CUSTOMER DRAWING

4

3

2

1

THIS DRAWING IS UNPUBLISHED.

RELEASED FOR PUBLICATION

20

© COPYRIGHT 20 BY -

ALL RIGHTS RESERVED.

LOC	DIST	REVISIONS					
		P	LTR	DESCRIPTION	DATE	DWN	APVD
J	-	-	-	SEE SHEET 1	-	-	-

ヘッダーハウジング外形
OUTLINE OF HEADER HOUSING

基板端末
PC BOARD END LINE

ROUND $\phi 4$ MIN
2PLC

16.5 MAX
(VERTICAL REC ASSYとの嵌合使用時)
(IN CASE OF MATE TO VERTICAL REC ASSY)

SEE DETAIL A

4.02 ± 0.05

$\phi 2 \pm 0.05$

$\phi 2 \pm 0.05$

$\phi 3.3 \pm 0.05$
2PLC

14.2 REF

27 REF

10.68 ± 0.05

8.18 ± 0.05

5.68 ± 0.05

3.18 ± 0.05

2.38 REF

0.06 REF

5.08 REF

2.32 REF

$\phi 1.05 \pm 0.05$
(POS×8)PLC

$(5.08 \times M + 0.06 + 2.32) \pm 0.05 = E \pm 0.05$

$(10.16 \times M + 0.06) \pm 0.05 = F \pm 0.05$

0±0.05

10.16 REF

5-1747145-X (10.16mm ピッチ)の場合
IN CASE OF 5-1747145-X (10.16mm PITCH)
(その他の寸法については1-1747145-X (5.08mmピッチ)の場合と同じ)
(ABOUT OTHER DIMENSION, IT IS THE SAME AS
THE CASE OF 1-1747145-X (5.08mm PITCH))

1-1747145-X (5.08mm ピッチ)の場合 (CUSTOMER ARBITRARY VALUE)
IN CASE OF 1-1747145-X (5.08mm PITCH) 推奨基板取付穴寸法(コネクタ搭載面) 適用基板厚: 1.6 ± 0.1

RECOMEND PC BOARD HOLE PATTERN(CONNECTOR MOUNT SIDE), PC BOARD THICKNESS: 1.6 ± 0.1

△5 コネクタ実装位置決め用の穴
△6 同一基板上でのコネクタの複数個実装について
コネクタ実装位置決め用の穴(△5)位置寸法公差を満足出来ない場合、同一基板上に対するコネクタの複数個実装使用は出来ません
(コネクタ実装位置決め用の穴(△5)位置寸法公差を満足出来る場合には、同一基板上に対するコネクタの複数個実装使用は可能です)

△5 THE HOLE FOR DECIDING THE POSITION WHICH MOUNTS THE CONNECTOR.
△6 WHEN TWO OR MORE CONNECTORS ON ONE PC BOARD ARE USED
WHEN PROCESSING BY THE HOLE(△5) POSITION DIMENSION TOLERANCE CANNOT BE PERFORMED,
ONLY ONE CONNECTOR SHOULD BE USED PER ONE PC BOARD.
(WHEN PROCESSING BY THE HOLE(△5) POSITION DIMENSION TOLERANCE CAN BE PERFORMED,
TWO OR MORE CONNECTOR CAN BE USED PER ONE PC BOARD.)

DETAIL A
5:1

顧客任意値 CUSTOMER ARBITRARY VALUE	20.38	22.7	22.76	28.76	2	10.16	3/3	6-1747145-3
	30.54	32.86	32.92	38.92	6	5.08	7	1-1747145-7
	20.38	22.7	22.76	28.76	4	5.08	5	1-1747145-5
	30.54	32.86	32.92	38.92	3	10.16	4/4	5-1747145-4
	20.38	22.7	22.76	28.76	2	10.16	3/3	5-1747145-3
G	F	E	D	A	M	PITCH	POS	PART NO

DIMENSION

THIS DRAWING IS A CONTROLLED DOCUMENT.		DWN K. RIKU 10FEB05	TE Connectivity	
DIMENSIONS: 単位: 概 mm		CHK D. MITSUGI 10FEB05		
TOLERANCES UNLESS OTHERWISE SPECIFIED: 一般公差 ± -		APVD D. MITSUGI 10FEB05	NAME 名称 DYNAMIC DZ5200 HORIZONTAL HEADER ASSY	
0-PLC ± -		PRODUCT SPEC 製品規格 108-78186	SIZE A3	
1-PLC ± -		APPLICATION SPEC 取付適用規格	CAGE CODE 00779	DRAWING NO 番号 C=1747145
2-PLC ± -		MATERIAL 材料	WEIGHT	RESTRICTED TO
3-PLC ± -		FINISH 仕上	CUSTOMER DRAWING	SCALE 尺度 2:1
4-PLC ± -				SHEET 2 OF 3
ANGLES ± 3°				REV A

1470-19 (3/11)

4

3

2

1

THIS DRAWING IS UNPUBLISHED.

RELEASED FOR PUBLICATION

20

© COPYRIGHT 20

BY -

ALL RIGHTS RESERVED.

LOC	DIST	REVISIONS 変更					
		P	LTR	DESCRIPTION	DATE	DWN	APVD
J	-		-	SEE SHEET 1	-	-	-

7 コネクタ取扱上の注意

(1) 基板への取付作業

基板への取付後、コネクタの両サイド面に浮きが無い事を確認の上、半田付作業を行ってください。

また、基板から一度取り外したコネクタの再使用は行わないで下さい(実装位置精度が低下します)。

(2) 嵌合作業

コネクタの嵌合作業は、ヘッダーコネクタとリセコネクタを軽く合わせ、極端なズレまたは傾きが無いことを確認の上、嵌合して下さい。

その時の傾きは、ピッチ方向: 5°以内(下図参照)

厚み方向: 10°以内(下図参照)

(3) 離脱作業

嵌合後のコネクタの離脱に際しては、コネクタに近い箇所の基板部を掘み、わずかにこじめるようにして(角度規制については嵌合作業時同様)引き抜いて下さい。

7 THE CAUTION ON THE HANDLING OF THE CONNECTOR

(1) MOUNTING OPERATION ONTO PC BOARD

AFTER MOUNTED ONTO PC BOARD, PLEASE CHECK THAT THERE ARE NO FLOAT IN BOTH SIDE SURFACE OF THE CONNECTOR, AND DO SOLDERING WORK.

MOREOVER, PLEASE DO NOT RE-USE OF THE CONNECTOR REMOVED FROM THE PC BOARD AT ONCE. (SINCE MOUNTING POSITION ACCURACY FALLS.)

(2) MATING OPERATION

THE MATING OPERATION SHOULD BE MADE AFTER CONFIRMING NO EXCESSIVE GAP OR INCLINATION THROUGH A LIGHT MATING OF HEADER CONNECTOR AND RECEPTACLE CONNECTOR.

REGULATION OF THE DEGREE

CONNECTOR PITCH DIRECTION: THE DEGREE MUST BE LESS THAN 5 DEGREES.

CONNECTOR THICKNESS DIRECTION: THE DEGREE MUST BE LESS THAN 10 DEGREES.

(3) REMOVAL OPERATION

TO UNMATE MATED PC BOARDS, IT IS BEST TO HOLD THE PC BOARD AT A OPERATION ADJACENT TO THE CONNECTOR AND EXTRACT IN A STRAIGHT MANNER.

IN THE EVENT THAT THE EXTRACTION FORCE IS HIGH, IT MAY BE EASIER TO UNMATE THE PC BOARD BY TILTING IT IN ONE DIRECTION WHILE EXTRACTING.

HOWEVER, THIS TILT MUST BE KEPT WITHIN 5 DEGREES (PITCH DIRECTION) AND 10 DEGREES (THICKNESS DIRECTION).

コネクタピッチ方向
CONNECTOR PITCH DIRECTION

コネクタ厚み方向
CONNECTOR THICKNESS DIRECTION

THIS DRAWING IS A CONTROLLED DOCUMENT.

DIMENSIONS:
単位: 概
mm

TOLERANCES UNLESS
OTHERWISE SPECIFIED:

一般公差	± -
0-PLC	±
1-PLC	±
2-PLC	±
3-PLC	±
4-PLC	±
ANGLES	±3°

MATERIAL
材料

-

FINISH
仕上

-

DWN
K. RIKU 10FEB05CHK
D. MITSUGI 10FEB05APVD
D. MITSUGI 10FEB05PRODUCT SPEC
製品規格

108-78186

APPLICATION SPEC
取付適用規格

-

WEIGHT

-

CUSTOMER DRAWING

TE Connectivity

NAME
名称DYNAMIC DZ5200
HORIZONTAL HEADER ASSY

SIZE

A3

CAGE CODE

00779

DRAWING NO
番号

C=1747145

RESTRICTED TO

-

SCALE
尺度 2:1

SHEET 3 OF 3

REV A

1470-19 (3/11)