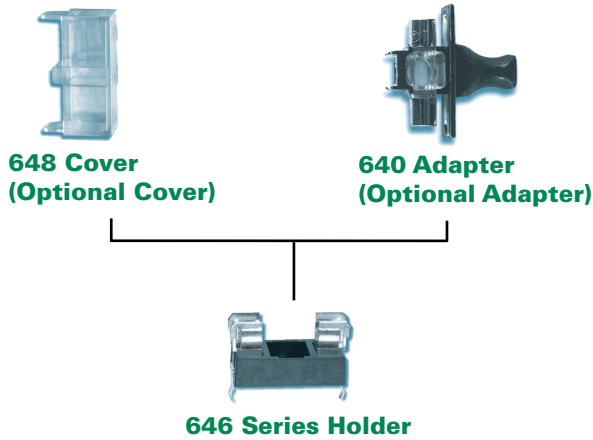


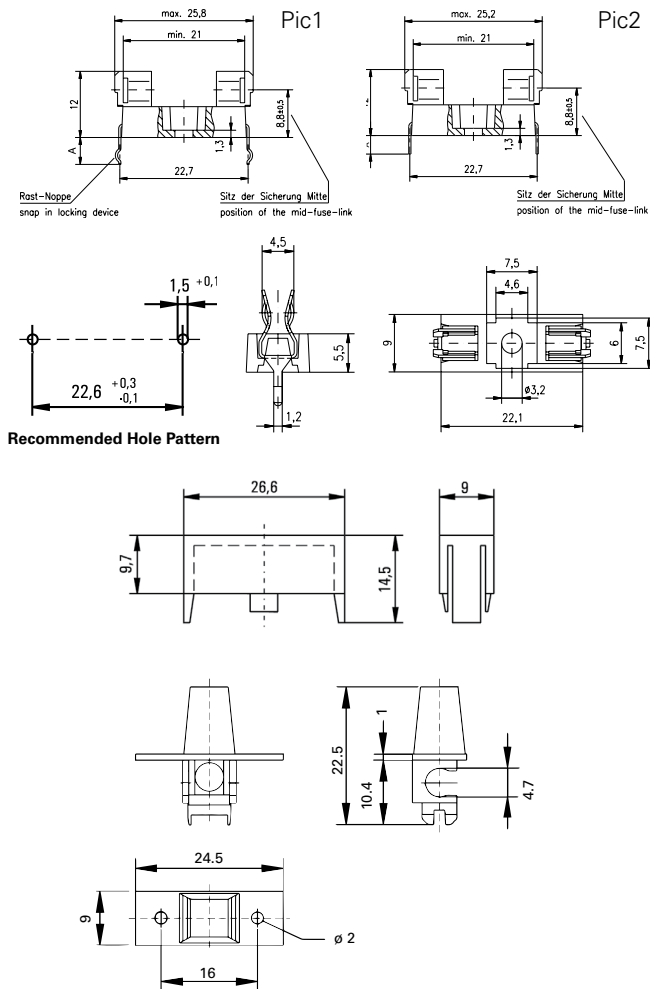
646 Series Molded Base Fuse Block For 5x20mm Fuses



Product Characteristics

Compatible Fuse Sizes	For 5x20mm Fuses
Materials	Holder: Black Thermoplastic, UL94 V-0 Polyamide PA 6.6
	Cover: Transparent Thermoplastic, UL94 V-0, Polycarbonate PC
	Adapter: Polyester PBT, UL94 V-0
	Metal Parts: Tin plated Copper alloy
Electrical Data (23°C)	Rated Voltage: 250V
	Max. Current/Power: 6.3A/2.5W 5A/1W (with No. 648) 6.3A/1.6W (with No. 640)
Mounting	Solder pins 0.5mmx1.2mm Ø 3mm screw hole may be used optionally
Minimum Cross Section	Conducting path - 0.2mm ²
Unit Weight	1.6g (Holder), 1.0g (Cover), 1.0g (Adapter)

Dimensions



Ordering Information

Ordering PN	Description	Pic	Meas. "A"	for PCB-thickness
646 0000 1003	Fuse Block	1	5mm	3mm
646 0000 1223	Fuse Block	1	3.2mm	1.5mm
646 0000 1233	Fuse Block	2	3.3mm	1.5mm

Ordering PN	Description	Fuse PN	Block PN
646 1200 7113	Fuse & Block Assy.	0215002.MXP	6460001233
646 1200 7123	Fuse & Block Assy.	0219002.MXAP	
646 1400 7143	Fuse & Block Assy.	0218004.MXP	
646 1400 7183	Fuse & Block Assy.	0215004.MXP	

Ordering PN	Description
640 0000 1003	Adapter - Black
640 0000 1403	Adapter - Brown
640 0000 1503	Adapter - White
640 0000 1603	Adapter - Yellow
640 0000 1703	Adapter - Green
640 0000 1903	Adapter - Blue

Additional Information



Datasheet



Resources



Samples

Contact Littelfuse for an auto-insertable fuse, holder and adapter assembly.
Note: 1.00 means the number one with two decimal places. 1,000 means the number one thousand.