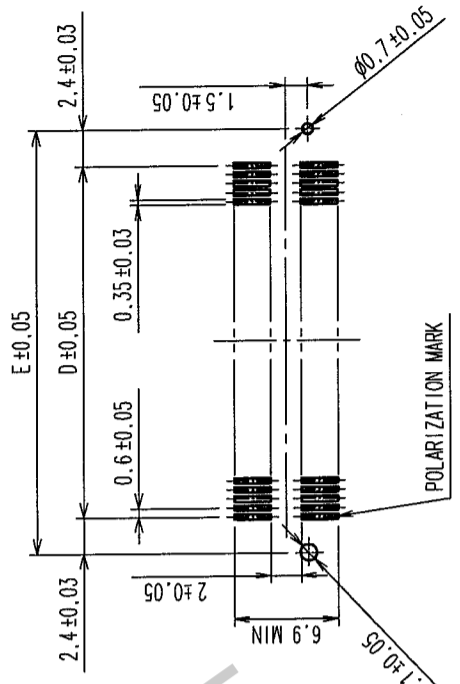


COUNT	DESCRIPTION OF REVISIONS	BY	CHKD	DATE	COUNT	DESCRIPTION OF REVISIONS	BY	CHKD	DATE
3	RE-F-09671	K.N	H.Y	04.04.08					

RECOMMENDED LAND PATTERN DIMENSION OF P.C.B. (MOUNTING SIDE)



DIMENSION TABLE OF CONNECTOR AND P.C.B. LAND PATTERN.

PART No.	CODE No.	A	B	C	D	E
FX8C-60P-SV1(92)	CL578-0521-6-92	60	24.60	23.00	20.70	17.40
FX8C-80P-SV1(92)	CL578-0523-1-92	80	30.60	29.00	26.70	23.40
FX8C-100P-SV1(92)	CL578-0525-7-92	100	36.60	35.00	32.70	29.40
FX8C-120P-SV1(92)	CL578-0526-0-92	120	42.60	41.00	38.70	35.40
FX8C-140P-SV1(92)	CL578-0527-2-92	140	48.60	47.00	44.70	41.40

- NOTE 1. LEAD CO-PLANARITY SHALL BE 0.1mm MAX.  
 2. EMBOSSED CARRIER TAPE PACKAGING SHALL BE APPLIED FOR THIS PRODUCT.  
 SEE NEXT PAGE FOR DETAILS.  
 3. FOR MODIFICATION, ETC., PREVENTIVE HOLE FOR SINK MARK MAY BE ADDED ACCORDING TO CIRCUMSTANCES.  
 4. THE DIMENSIONS IN PARENTHESES ARE FOR REFERENCE.  
 ⑤ NUMBER OF CONTACTS.

NO.	MATERIAL	FINISH, REMARKS	NO.	MATERIAL	FINISH, REMARKS
1	PPS	LIGHT BROWN (UL94V-0)	2	PHOSPHOR BRONZE	

CONTACT AREA:	LEAD AREA:	UNDER PLATING:
GOLD 0.1μm min	TIN-PLATING 1μm min	NICKEL 1μm min

CODE NO. (OLD)	SCALE	UNITS	DRAWN	DESIGNED	CHECKED	APPROVED	RELEASED
CL	FREE	mm	S.SUZUKI	K.NAKAMURA	H.OKAWA	Y.YOSHIMURA	
			03.02.03	03.02.12	03.02.14	03.02.15	

DRAWING NO.	PART NO.
EDC3-151087-22	FX8C-**P-SV1(92)

TO	PCK

