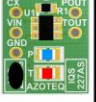
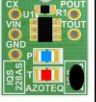


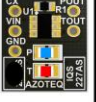
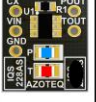
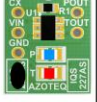
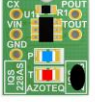
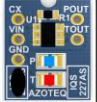

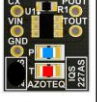
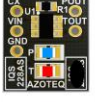
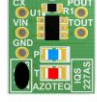
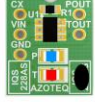


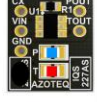
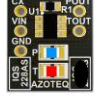
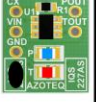
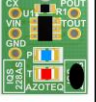



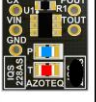
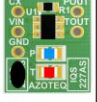
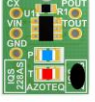

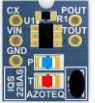
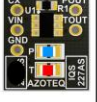



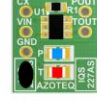
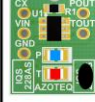
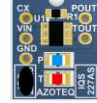

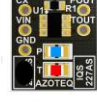
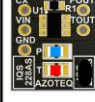
Module-Board		Overlay(s)	Sensitivity
IQS227AS	IQS228AS		
		1	LOW
		2	MED
		3	HIGH

Module-Board		Overlay(s)	Sensitivity
IQS227AS	IQS228AS		
		1	LOW
		2	MED
		3	HIGH

Module-Board		Overlay(s)	Sensitivity
IQS227AS	IQS228AS		
		1	LOW
		2	MED
		3	HIGH

Module-Board		Overlay(s)	Sensitivity
IQS227AS	IQS228AS		
		1	LOW
		2	MED
		3	HIGH

Module-Board		Overlay(s)	Sensitivity
IQS227AS	IQS228AS		
		1	LOW
		2	MED
		3	HIGH

Module-Board		Overlay(s)	Sensitivity
IQS227AS	IQS228AS		
		1	LOW
		2	MED
		3	HIGH