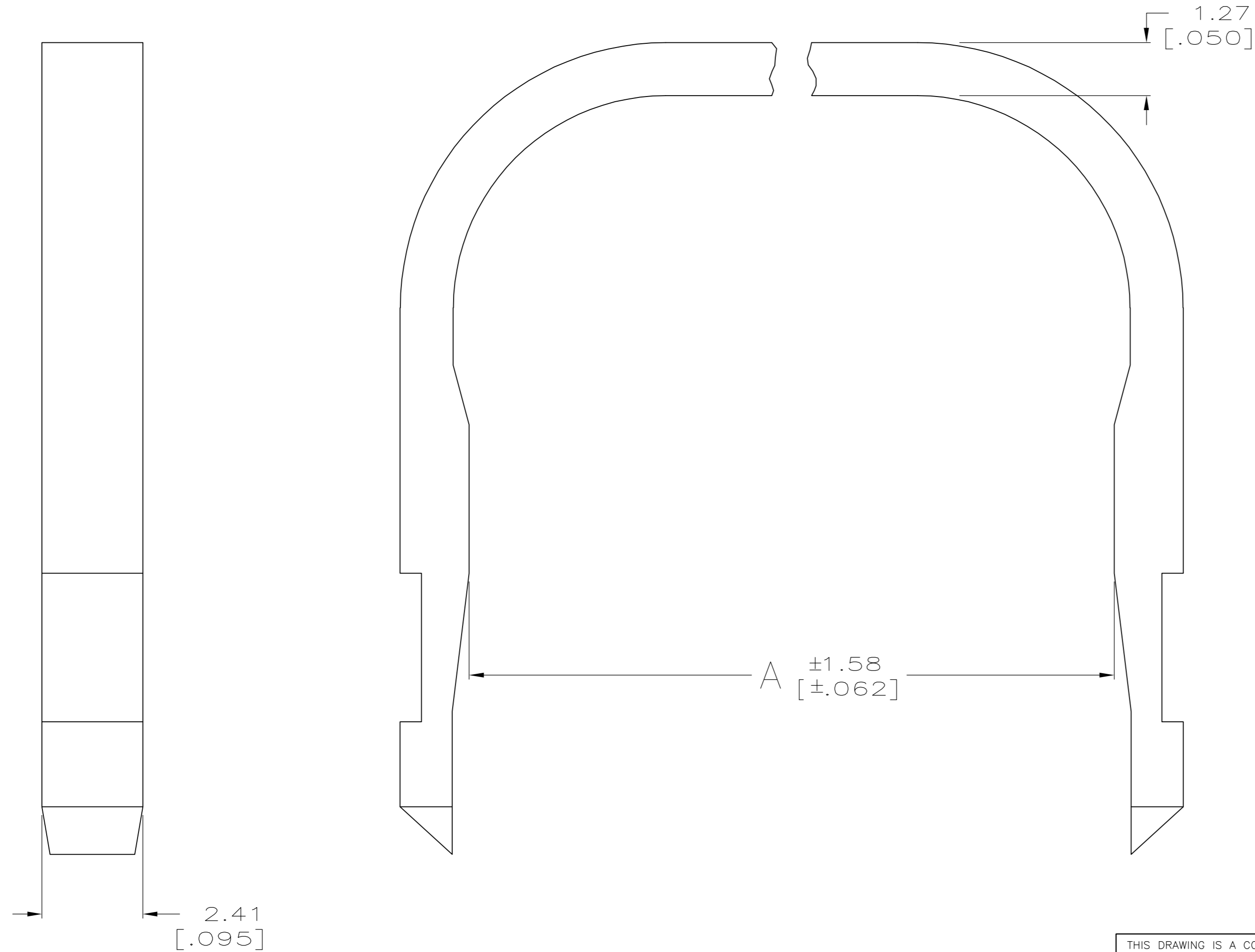


THIS DRAWING IS UNPUBLISHED. RELEASED FOR PUBLICATION
 © COPYRIGHT BY TYCO ELECTRONICS CORPORATION. ALL RIGHTS RESERVED.

| LOC | DIST | REVISIONS | | | |
|-----|------|-------------------------|---------|-----|------|
| P | LTR | DESCRIPTION | DATE | DWN | APVD |
| GP | 00 | | | | |
| | C | REV PER EC 0513-0331-05 | 27SEP06 | JDP | CWR |

FOR USE ON AMP-LATCH RECEPTACLES AND NOVA RECEPTACLES WITHOUT STRAIN RELIEFS.



| | | | |
|----------|------------------|-----------|-------------|
| OBSOLETE | 82.55 [3.250] | 64 | 1-746601-3 |
| OBSOLETE | 77.47 [3.050] | 60 | 1-746601-2 |
| | 64.77 [2.550] | 50 | 1-746601-1 |
| OBSOLETE | 57.15 [2.250] | 44 | 1-746601-0 |
| OBSOLETE | 52.07 [2.050] | 40 | 746601-9 |
| OBSOLETE | 44.45 [1.750] | 34 | 746601-8 |
| OBSOLETE | 39.37 [1.550] | 30 | 746601-7 |
| OBSOLETE | 34.29 [1.350] | 26 | 746601-6 |
| OBSOLETE | 31.75 [1.250] | 24 | 746601-5 |
| OBSOLETE | 26.67 [1.050] | 20 | 746601-4 |
| OBSOLETE | 21.59 [.850] | 16 | 746601-3 |
| OBSOLETE | 19.05 [.750] | 14 | 746601-2 |
| OBSOLETE | 13.97 [.550] | 10 | 746601-1 |
| | A | NO OF POS | PART NUMBER |

| | | | | | |
|--|--|------------------|-----------|-----------|---|
| THIS DRAWING IS A CONTROLLED DOCUMENT. | | DWN | J.GALUCCI | 20 OCT 89 | Tyco Electronics Corporation Harrisburg, PA 17105-3608 |
| DIMENSIONS: mm [INCHES] | | CHK | H.MOLL | 28 OCT 89 | |
| TOLERANCES UNLESS OTHERWISE SPECIFIED: | | APVD | - | - | AMP-LATCH, RECEPTACLE, SNAP-ON PULL HANDLE |
| 0 PLC ± - 1 PLC ± - 2 PLC ± - 3 PLC ± 0.13[.005] 4 PLC ± - ANGLES ± - | | PRODUCT SPEC | - | - | |
| MATERIAL: NYLON 94V-0 RATED | | FINISH | - | - | SIZE: A2 |
| | | WEIGHT | - | - | CAGE CODE: 00779 |
| | | CUSTOMER DRAWING | - | - | DRAWING NO: C=746601 |
| | | SCALE | 10:1 | SHEET | 1 OF 1 |
| | | REV | C | | RESTRICTED TO: - |