



LUXEON CoB with FreshFocus Technology™

Accentuating freshness and overall visual appeal, making food irresistible



The LUXEON CoB with FreshFocus Technology creates the most impactful lighting ever available by accentuating the freshness and overall visual appeal of a variety of fresh food areas such as supermarkets, delis, butcher shops and bakeries.

LUXEON CoB with FreshFocus Technology brings out reds for greater visual appeal to meat; increases the appetite appeal of bread and pastries; exhibits the most natural and attractive fish and emphasizes the “just picked” appearance for produce (fruits and vegetables).

FEATURES AND BENEFITS

Spectrum engineered products with focused color points to enable the right lighting for specific merchandise and application

IR free and UV free, which keeps the merchandise fresher longer and prevents meat discoloration

Up to 4x lower thermal resistance than competitors enabling smaller heatsinks and higher lumens

Mouse bites for M2 and M3 make it easy to work with

PRIMARY APPLICATIONS

Downlights

Indoor Area Lighting

Lamps

Spotlights

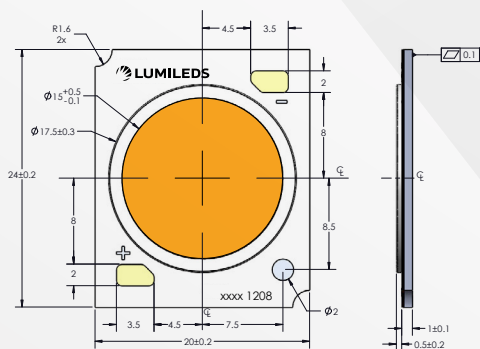
LUXEON CoB with FreshFocus Technology product performance at specified test current, T_j=85°C.

SPECTRUM	PRODUCT	LUMINOUS FLUX ^[1,2] (lm)		TYPICAL LUMINOUS EFFICACY (lm/W)	TEST CURRENT (mA)	LES ^[3] (mm)	PART NUMBER
		MINIMUM	TYPICAL				
Produce	LUXEON CoB 1208	3011	3345	107	900	15	L2C5-PR001208E1500
	LUXEON CoB 1211	4032	4480	107	1200	19	L2C5-PR001211E1900
Red Meat	LUXEON CoB 1208	2061	2290	73	900	15	L2C5-RM001208E1500
	LUXEON CoB 1211	2862	3180	76	1200	19	L2C5-RM001211E1900
Marbled Meat	LUXEON CoB 1208	1894	2161	69	900	15	L2C5-MM001208E1500
	LUXEON CoB 1211	2584	2960	71	1200	19	L2C5-MM001211E1900
Fish	LUXEON CoB 1208	3325	3694	118	900	15	L2C5-FS001208E1500
	LUXEON CoB 1211	4617	5130	123	1200	19	L2C5-FS001211E1900
Bread & Pastries	LUXEON CoB 1208	3118	3464	111	900	15	L2C5-BD001208E1500
	LUXEON CoB 1211	4275	4750	114	1200	19	L2C5-BD001211E1900

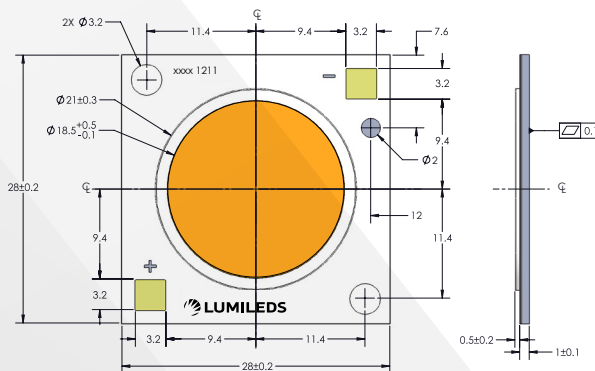
Notes:

1. Lumileds maintains a tolerance of ±6.5% on luminous flux measurements.
2. Maximum luminous flux is 10% above typical luminous flux.
3. Light emitting surface (LES) is the inner diameter (phosphor area) inside the dam.

Mechanical Dimensions.



L2C5-xx001208E1500



L2C5-xx001211E1900

Notes:

1. Drawings are not to scale.
2. All dimensions are in millimeters.

©2016 Lumileds Holding B.V. All rights reserved. LUXEON is a registered trademark of the Lumileds Holding B.V. in the United States and other countries.

lumileds.com

Lumileds Holding B.V. shall not be liable for any kind of loss of data or any other damages, direct, indirect or consequential, resulting from the use of the provided information and data. Although Lumileds Holding B.V. has attempted to provide the most accurate information and data, the materials and services information and data are provided "as is" and Lumileds Holding B.V. neither warranties, nor guarantees the contents and correctness of the provided information and data. Lumileds Holding B.V. reserves the right to make changes without notice. You as user agree to this disclaimer and user agreement with the download or use of the provided materials, information and data.