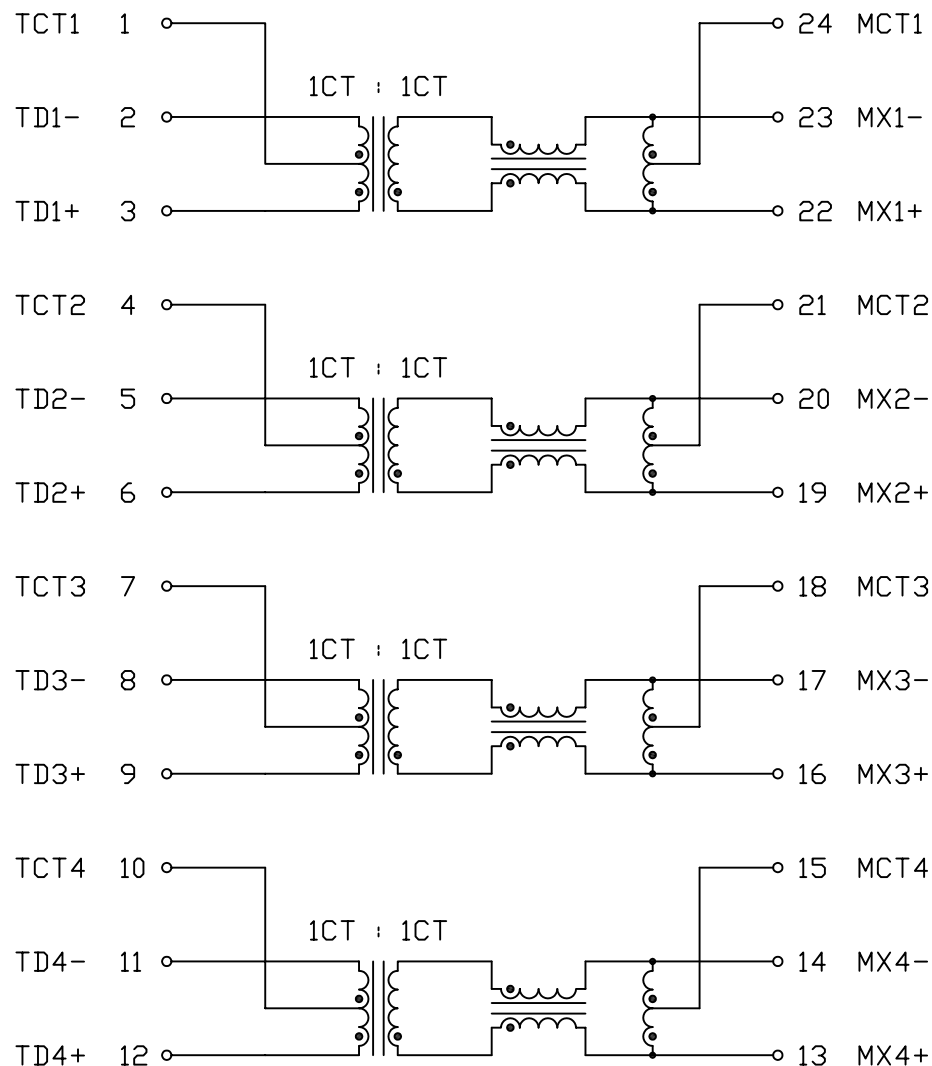


THE INFORMATION CONTAINED HEREIN IS CONSIDERED "PROPRIETARY" TO BEL FUSE INC. AND SHALL NOT BE COPIED, REPRODUCED OR DISCLOSED WITHOUT THE WRITTEN APPROVAL OF BEL FUSE INC.



SCHEMATIC



ELECTRICAL CHARACTERISTICS @25°C

URNS RATIO

(3-1-2) : (22-24-23)	1CT : 1CT
(6-4-5) : (19-21-20)	1CT : 1CT
(9-7-8) : (16-18-17)	1CT : 1CT
(12-10-11) : (13-15-14)	1CT : 1CT

POLARITY

PER DOT CONVENTION

□CL

(23-22), (20-19)	350μH MIN @100kHz, 100mV
(17-16), (14-13)	WITH 8mA DC BIAS
OPERATING TEMPERATURE	-40°C TO +85°C

INSERTION LOSS

1.1dB MAX @0.1 TO 1MHz
1.0dB MAX @1 TO 100MHz

COMMON TO COMMON MODE REJECTION

22.0dB MIN @30MHz
23.0dB MIN @50MHz
20.5dB MIN @80MHz
20.0dB MIN @100MHz

RETURN LOSS

UNDER 100 OHM ±15% ENVIRONMENT
18dB MIN @0.5 TO 40MHz
12-20LOG (f/80MHz) MIN @40 TO 100MHz

CROSSTALK

33-20LOG (f/100MHz) dB MIN @1-100MHz

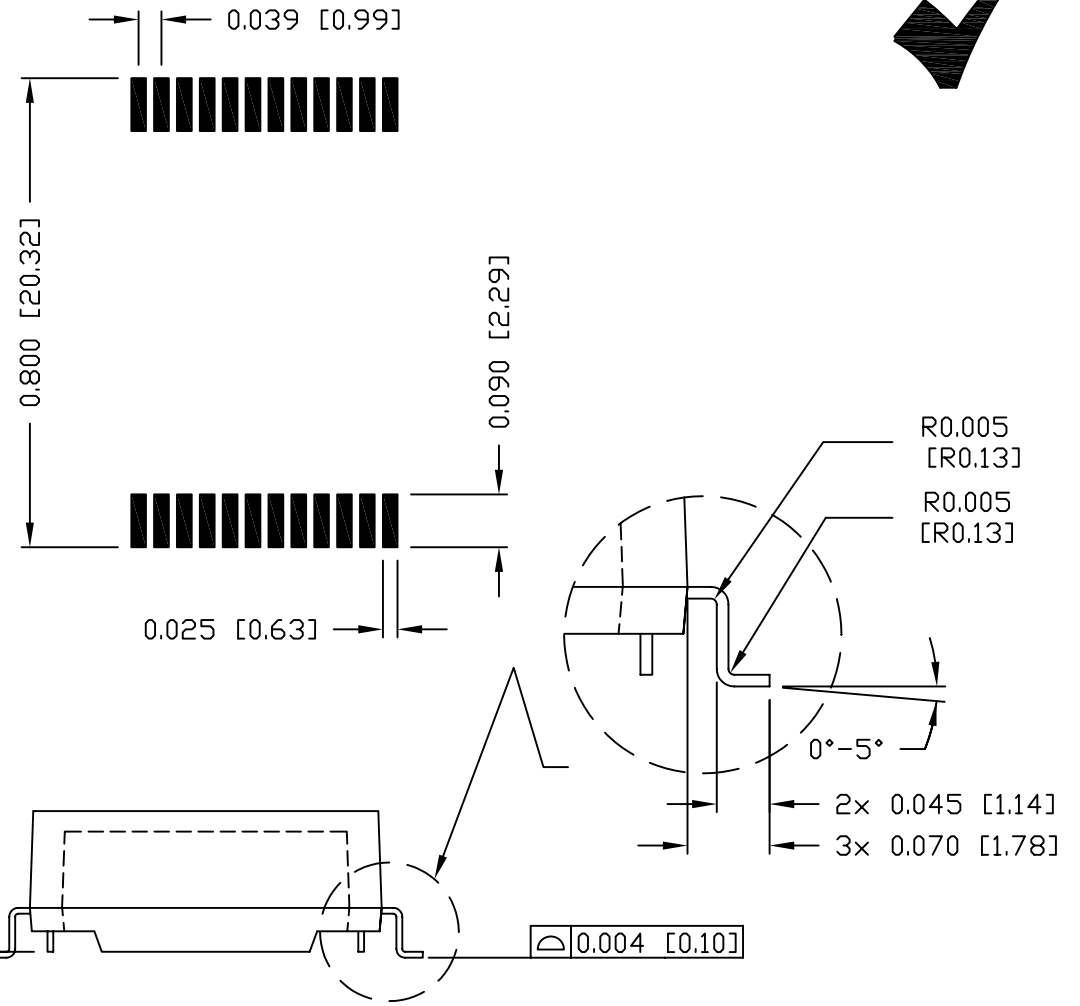
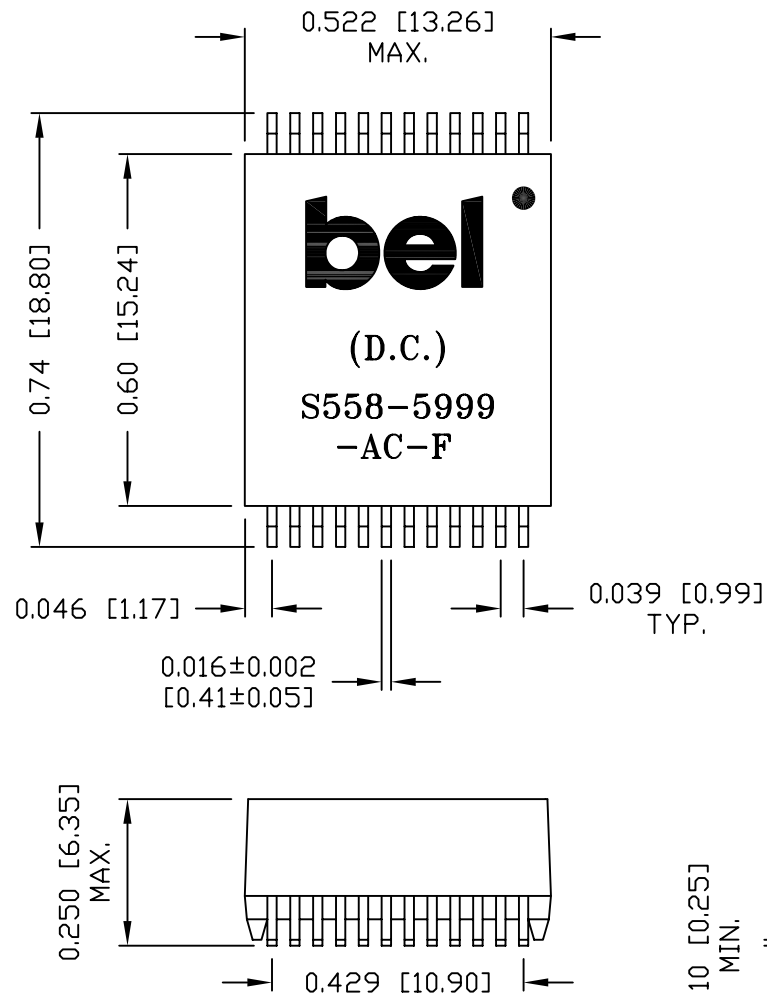
HIPOT

PER HAND-WORK-03

ORIGINATED BY	DATE	TITLE	PART NO. / DRAWING NO.	STANDARD DIM.	[] METRIC DIM. AS REF.	REV. : C	PAGE : 2
Alice Pang	2015-01-26	ELECTRICAL SPECIFICATION S558-5999-AC-F	X5585999AC-F	TOL. IN INCH	UNIT : INCH [mm]		POWER PROTECT CONNECT
DRAWN BY	DATE		FILE NAME	.X	SCALE : N/A		
ZC Guo	2015-01-26		X5585999ACFC.DWG	.XX	SIZE : A4		
				.XXX			

THE INFORMATION CONTAINED HEREIN IS CONSIDERED 'PROPRIETARY' TO BEL FUSE INC. AND SHALL NOT BE COPIED, REPRODUCED OR DISCLOSED WITHOUT THE WRITTEN APPROVAL OF BEL FUSE INC.

SUGGESTED PCB PAD LAYOUT



NOTES:

- STANDARD MARKING REFER TO DOC. HAND-WORK-04.
- PACKAGE CODE: "QTS001".

ORIGINATED BY		DATE	TITLE	PART NO. / DRAWING NO.		STANDARD DIM.		[] METRIC DIM. AS REF.		REV. : C	PAGE : 3	
Lawrence Tsang		2015-01-26		MECHANICAL DRAWING S558-5999-AC-F	X5585999AC-F		TOL. IN INCH		UNIT : INCH [mm]			
DRAWN BY		DATE			FILE NAME		.X		SCALE : N/A			
ZC Guo		2015-01-26	X5585999ACFC.DWG		.XX ±0.01		SIZE : A4					
						.XXX ±0.005						

