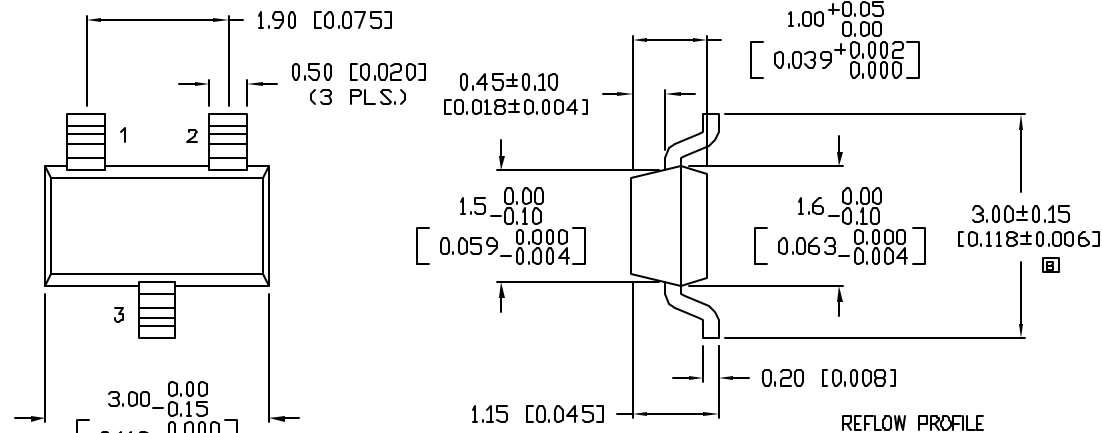
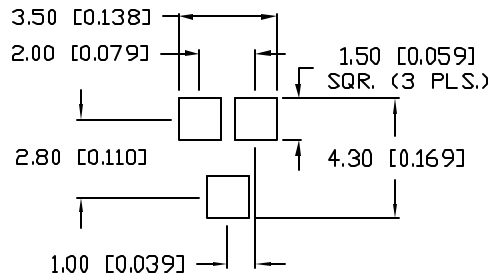
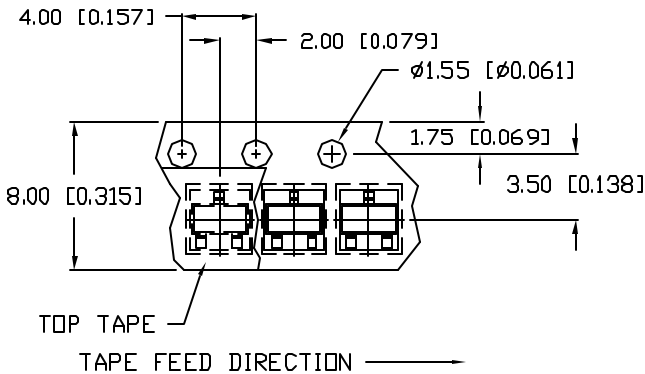
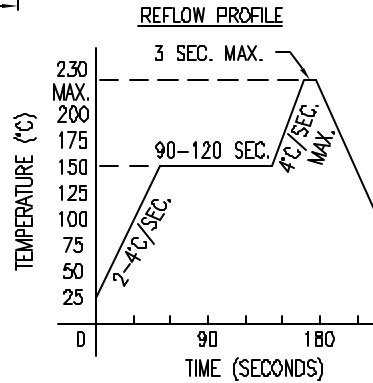
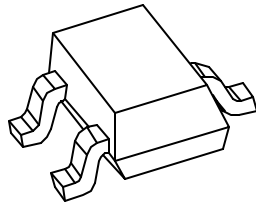
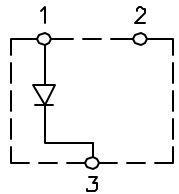


UNCONTROLLED DOCUMENT



TOP VIEW POLARITY



\*UNLESS OTHERWISE SPECIFIED TOLERANCES PER DECIMAL PRECISION ARE: X=±1 (±0.039), XX=±0.5 (±0.020), XXX=±0.25 (±0.010), XXXX=±0.127 (±0.005). LEAD SIZE=±0.05 (0.002), LEAD LENGTH=±0.75 (±0.030), MIN= +DECIMAL PRECISION -0.00, MAX= +0.00 -DECIMAL PRECISION

PART NUMBER  
SSL-LX15IC-RP-TR

REV.  
E

| REV. | E.C.N. NUMBER AND REVISION COMMENTS | DATE    |
|------|-------------------------------------|---------|
| A    | E.C.N. #10165.                      | 5.21.96 |
| B    | E.C.N. #10412.                      | 4.28.98 |
| C    | E.C.N. #10BRDR. & REDRAWN.          | 1.15.01 |
| D    | E.C.N. #10752.                      | 5.25.01 |
| E    | E.C.N. #10877.                      | 6.10.02 |

ELECTRO-OPTICAL CHARACTERISTICS  $T_A=25^\circ\text{C}$   $I_f=20\text{mA}$

| PARAMETER          | MIN         | TYP | MAX | UNITS          | TEST COND             |
|--------------------|-------------|-----|-----|----------------|-----------------------|
| PEAK WAVELENGTH    |             | 635 |     | nm             |                       |
| FORWARD VOLTAGE    |             | 2.0 | 2.8 | V <sub>f</sub> |                       |
| REVERSE VOLTAGE    | 5.0         |     |     | V <sub>r</sub> | I <sub>f</sub> =100µA |
| AXIAL INTENSITY    |             | 10  |     | med            | I <sub>f</sub> =20mA  |
| VIEWING ANGLE      |             | 140 |     | 2x theta       |                       |
| EMITTED COLOR:     | RED         |     |     |                |                       |
| EPOXY LENS FINISH: | WATER CLEAR |     |     |                |                       |

LIMITS OF SAFE OPERATION AT 25°C

| PARAMETER                | MAX        | UNITS |
|--------------------------|------------|-------|
| PEAK FORWARD CURRENT*    | 180        | mA    |
| STEADY CURRENT           | 30         | mA    |
| POWER DISSIPATION        | 100        | mW    |
| DERATE FROM 25°C         | -1.2       | mW/°C |
| OPERATING, STORAGE TEMP. | -30 TO +85 | °C    |

\* t < 10µS

NOTES:

1. 3,000 PIECES PER REEL.
2. THE CATHODE IS OREINTED TOWARDS THE TAPE SPROCKET HOLE.
3. LABEL MUST BE PERMANENTLY ATTACHED TO EACH REEL.

UNCONTROLLED DOCUMENT

REV. E PART NUMBER SSL-LX15IC-RP-TR

SOT-23 SURFACE MOUNT 635nm RED LED,  
WATER CLEAR LENS, TAPE AND REEL.

**CONFIDENTIAL INFORMATION**  
THE INFORMATION CONTAINED IN THIS DOCUMENT IS THE PROPERTY OF LUMEX INC. EXCEPT AS SPECIFICALLY AUTHORIZED IN WRITING BY LUMEX INC., THE HOLDER OF THIS DOCUMENT SHALL KEEP ALL INFORMATION CONTAINED HEREIN CONFIDENTIAL AND SHALL PROTECT SAME IN WHOLE OR IN PART FROM DISCLOSURE AND DISSEMINATION TO ALL THIRD PARTIES.

**RELIABILITY NOTE**  
OUR MANY YEARS OF EXPERIENCE DATA ACCUMULATION INDICATE THAT SOLDER HEAT IS A MAJOR CAUSE OF EARLY AND FUTURE FAILURE. PLEASE PAY ATTENTION TO YOUR SOLDERING PROCESS.



290 E. HELEN ROAD  
PALATINE, IL 60067-6976  
PHONE: +1.847.359.2790  
US WEB: www.lumex.com  
TW WEB: www.lumex.com.tw

DRAWN BY: BC CHECKED BY: APPROVED BY: DATE: 2.23.95  
PAGE: 1 OF 1  
SCALE: N/A