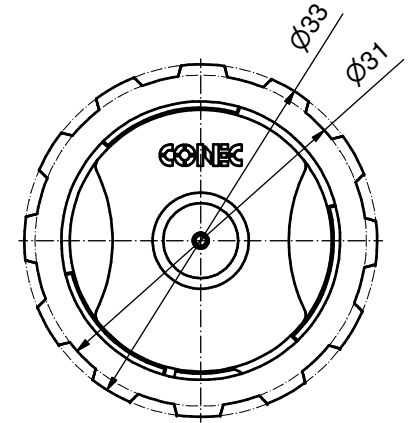
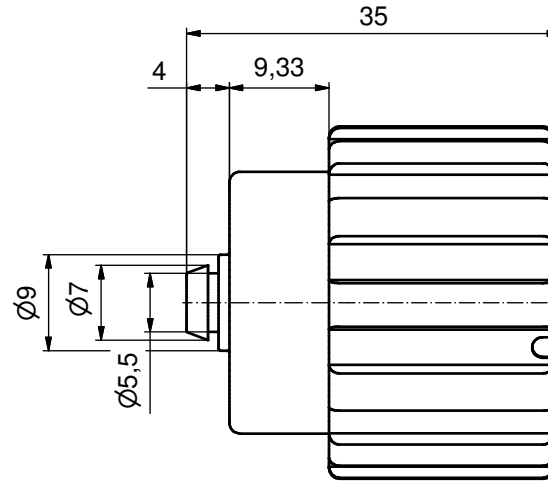
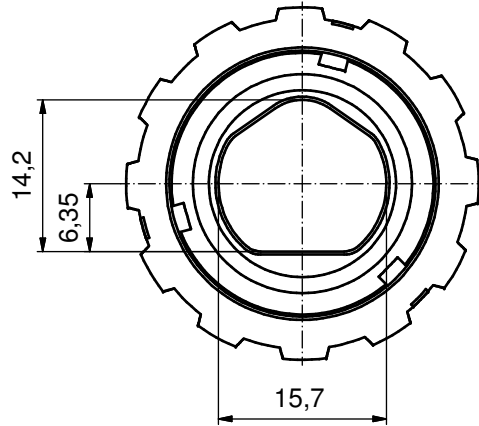
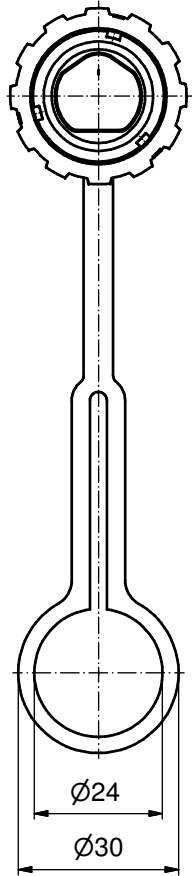
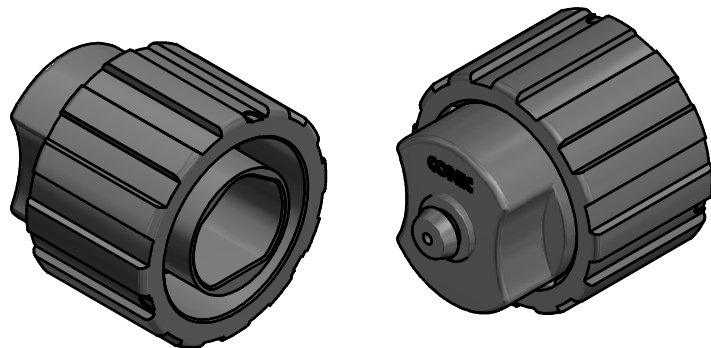


VIEWS WITHOUT TETHER



NOTES:

- MATERIAL AND FINISH:
 - COUPLER RING: PA GF (BLACK); UL94 V-0; UL (f1) RATED
 - COVER HOUSING: PA GF (BLACK); UL94 V-0; UL (f1) RATED
 - TETHER: PE-SW (BLACK),
 - INTERFACIAL SEAL: SILICONE; COLOR: WHITE
 - RETAINING RING: STAINLESS STEEL
- OPERATING TEMPERATURE: -40°C to +85°C
- IP67 RATED WHEN COVERED OR FULLY MATED WITH THE APPROPRIATE MATING CONNECTOR



RoHS compliant

THIS DRAWING MAY NOT BE COPIED OR REPRODUCED IN ANY WAY, AND MAY NOT BE PASSED ON TO A THIRD PARTY WITHOUT WRITTEN PERMISSION. OWNERSHIP AND COPYRIGHT OF CONEC GmbH DO NOT ALTER CAD DRAWING BY HAND				tolerance	dim. in mm	scale:	2:1 (1:1)			
							material:	see notes		
				date	name	title:				
				drawn	04.10.13	Schmidt	(b) Protective Cover for IP67 Duplex Power 3pos Female Cable Assembly			
				appd.	04.10.13	Strakerjahn				
			norm							
			d-old			dwg no:		DIN-A3		
			1 x b	Ä6182	06.06.2016	K.H.	sh: 1			
			a	Original						
			rev.	description	date	name	part no: 17-400200			

