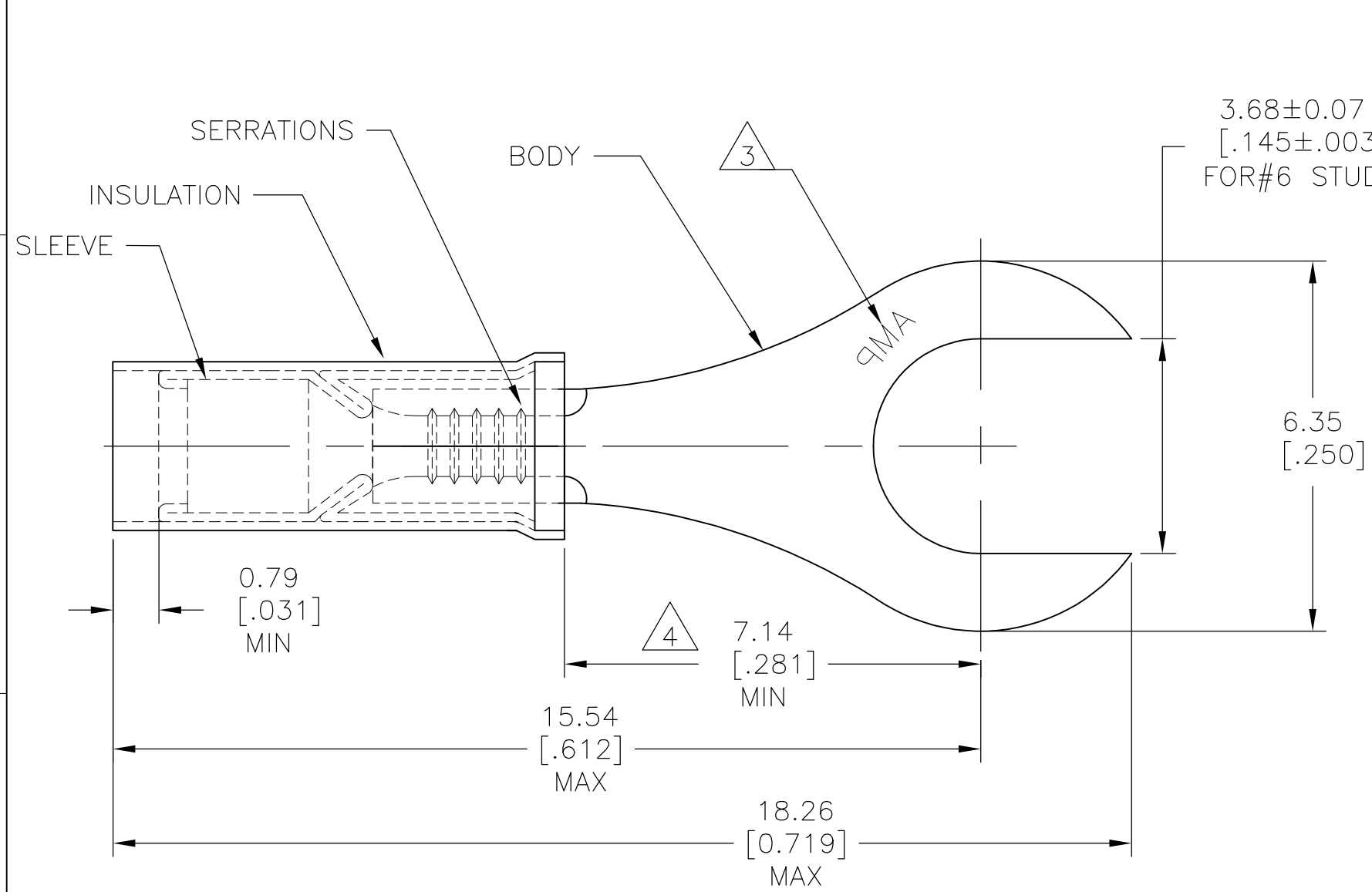


THIS DRAWING IS UNPUBLISHED. RELEASED FOR PUBLICATION
 © COPYRIGHT - By - ALL RIGHTS RESERVED.

LOC	DIST	REVISIONS					
		P	LTR	DESCRIPTION	DATE	DWN	APVD
-	-		R2	NEW DRAWING PER ECO-11-019045	03APR12	KH	DR



AMP
WIRE RANGE

26-22 AWG
STRANDED

- 1 TONGUE MATERIAL THK: 0.46±0.05[.018±.002]
- 2 FOR WIRE INSULATION DIA: 1.27[.050]-2.08[.082]
- 3 STAMP AMP APPROX AS SHOWN,
- 4 DIMENSION APPLIES FROM EDGE OF METAL WIRE BARREL TO CENTER OF STUD.
- 5 MATERIAL: BODY & SLEEVE: COPPER PER ASTM B152. INSULATION : NYLON
- 6 FINISH: BODY & SLEEVE: TIN PLATE PER ASTM B545. INSULATION: COLOR-YELLOW.

4000	ON TAPE, REEL	2-323011-2
1000	LOOSE PIECE	323011
QTY	PACKAGE TYPE	PART NO

AMP INCORPORATED
CUSTOMER SERVICE SYSTEMS

FOR ADDITIONAL PRODUCT INFORMATION OR COPIES OF DRAWINGS AND TECHNICAL DOCUMENTS: PRODUCT INFORMATION CENTER 1-800-522-6752

FOR APPLICATION TOOLING INFORMATION: TOOLING ASSISTANCE CENTER 1-800-722-1111

FOR ORDER ENTRY: 1-800-526-5142

RECOMMENDED OPERATING TEMPERATURE: -

VOLTAGE RATING: -

WIRE CROSS SECTIONAL AREA RANGE: 0.10-0.41mm² [202-810] CIR.MIL STRANDED

THIS DRAWING IS A CONTROLLED DOCUMENT.

DIMENSIONS: mm [INCHES]

TOLERANCES UNLESS OTHERWISE SPECIFIED:

0 PLC	± -
1 PLC	± -
2 PLC	± 0.20[.008]
3 PLC	± -
4 PLC	± -
ANGLES	± 5°

MATERIAL: 5

FINISH: 6

DWN KIRAN HOLAL 03APR12	TE Connectivity	NAME	
CHK ROHDE DANIEL 03APR12		WIRE TERMINAL	
APVD ROHDE DANIEL 03APR12		P.I.D.G SLOTTED RING TONGUE	
PRODUCT SPEC		WIRE SIZE 26-22	
APPLICATION SPEC	SIZE	CAGE CODE	DRAWING NO
WEIGHT -	A3	00779	C-323011
CUSTOMER DRAWING		SCALE 10:1	SHEET 1 OF 1
		REV R2	